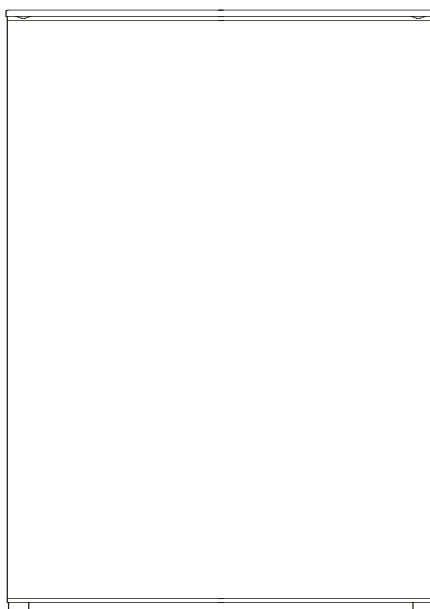


# **CANDY**

## **REFRIGERATOR INSTRUCTION MANUAL**



Dear customer,

Before placing your new refrigerator/freezer into operation please read these operating instructions carefully. They contain important information for safe use, for installation and for care of the appliance.

Please keep these operating instructions for future reference. Pass them on to possible new owners of the appliance.

Notes which are important for your safety or for the proper functioning of the appliance are stressed with a warning triangle and/or with signal words (**Warning!**, **Caution!**, **Important!** ). Please observe the following carefully.

Supplementary information regarding operation and practical applications of the appliance appear after this symbol.

Tips and notes concerning economical and environmentally sound use of the appliance are marked with the cloverleaf.

The operating instructions contain instructions for the correction of possible malfunctions by the user in the section @Trouble shooting@. If these instructions should not be sufficient, contact your local Service Force Center.

# Contents

<b>Safety and warning information</b> .....	3
<b>Remove transport packaging</b> .....	10
<b>Installation</b> .....	10
<b>Building in</b> .....	10
<b>Reversing the door</b> .....	13
<b>Positioning</b> .....	14
<b>Description of the appliance</b> .....	14
<b>Starting up and temperature regulation</b> .....	14
<b>Interior accessories</b> .....	15
<b>Cleaning and Care</b> .....	16
<b>Trouble shooting</b> .....	17
<b>Noises during Operation</b> .....	18
<b>Disposal of the appliance</b> .....	18



This appliance is in accordance with the following EU guidelines: 2006/95/EC and 2004/108/EC and 2009/125/EC and EC.643/2009 and 2002/96/EC



### SAFETY AND WARNING INFORMATION

For your safety and correct usage, before installing and first using the appliance, read this user manual carefully, including its hints and warnings. To avoid unnecessary mistakes and accidents, it is important to make sure that all people using the appliance are thoroughly familiar with its operation and safety features. Save these instructions and be sure that they remain with the appliance if it is moved or sold, so that who uses it throughout its life will be properly informed on its correct appliance usage and safety.

For the safety of life and property, keep the precautions of these user's instructions as the manufacturer is not responsible for damages caused by omission.


#### **Safety for children and others who are vulnerable people**

- This appliance can be used by children aged from 8 years and above and persons with reduced physical, sensory or mental capabilities or lack of experience and knowledge if they have been given supervision or instruction concerning use of the appliance in a safe way and understand the hazards involved. Children shall not play with the appliance. Cleaning and user maintenance shall not be made by children without supervision.
- Keep all packaging away from children as there is risk of suffocation.

- If you are discarding the appliance, pull the plug out of the socket, cut the connection cable (as close to the appliance as you can) and remove the door to prevent children playing from suffering an electric shock or from closing themselves inside it.

- If this appliance, featuring a magnetic door seals, is to replace an older appliance having a spring lock (latch) on the door or lid, be sure to make the spring lock unusable before you discard the old appliance. This will prevent it from becoming a death trap for a child.

## General safety

 • **WARNING** — This appliance is intended to be used in household and similar applications such as

-staff kitchen areas in shops, offices and other working environments;

-farm houses and by clients in hotels, motels and other residential type environments;

-bed and breakfast type environments;

-catering and similar non-retail applications

**WARNING** — Do not store explosive substances such as aerosol cans with a flammable propellant in this appliance.

**WARNING** — If the supply cord is damaged, it must be replaced by the manufacturer, its service agent or similarly qualified persons in order to avoid a hazard.

**WARNING** — Keep ventilation openings, in the appliance enclosure or in the built-in structure, clear of obstruction.

**WARNING** — Do not use mechanical devices or other means to accelerate the defrosting process, other than those recommended by the manufacturer.

**WARNING** — Do not damage the refrigerant circuit.

**WARNING** — Do not use electrical appliances inside the food storage compartments of the appliance, unless they are of the type recommended by the manufacturer.

**WARNING** — The refrigerant and insulation blowing gas are flammable. When disposing of the appliance, do so only at an authorized waste disposal centre. Do not expose to flame.

**WARNING** — To avoid a hazard due to instability of the appliance, it must be fixed in accordance with the instructions.

The refrigerant isobutene (R600a) is contained within the refrigerant circuit of the appliance, a natural gas with a high level of environmental compatibility, which is nevertheless flammable. During transportation and installation of the appliance, ensure that none of the components of the refrigerant circuit becomes damaged. The refrigerant (R600a) is flammable.

 **Caution: risk of fire**

If the refrigerant circuit should be damaged:

- Avoid opening flames and sources of ignition.
- Thoroughly ventilate the room in which the appliance is situated.

It is dangerous to alter the specifications or modify this product in any way.

Any damage to the cord may cause a shortcircuit, fire, and/or electric shock.

### **Electrical safety**

1. The power cord must not be lengthened.
2. Make sure that the power plug is not crushed or damaged. A crushed or damaged power plug may overheat and cause a fire.
3. Make sure that you can access the main plug of the appliance.
4. Do not pull the main cable.
5. If the power plug socket is loose, do not insert the power plug. There is a risk of electric shock or fire.
6. You must not operate the appliance without the interior lighting lamp cover.
7. The fridge is only applied with power supply of single phase alternating current of 220~240V/50Hz. If fluctuation of voltage in the district of user is so large that the voltage exceeds the above scope, for safety sake, be sure to apply A.C. Automatic voltage regulator of more than 350W to the fridge. The fridge must employ a special power socket instead of common one with other electric appliances. Its plug must match the socket with ground wire.

### **Daily use**

- Do not store flammable gas or liquids in the appliance, there is a risk of an explosion.
  - Do not operate any electrical appliances in the appliance (e.g. electric ice cream makers, mixers etc.).
- When unplugging always pull the plug from the mains socket, do not pull on the cable.

Do not place hot items near the plastic components of this appliance.

Store pre-packed frozen food in accordance with the frozen food manufacturer's instructions.

The appliances manufacturer's storage recommendations should be strictly adhered to. Refer to relevant instructions for storage.

Do not place carbonated or fizzy drinks in the freezer compartment as it creates pressure on the container, which may cause it to explode, resulting in damage to the appliance.

Frozen food can cause frost burns if consumed straight from the freezer compartment.

Do not place the appliance in direct sunlight. Keep burning candles, lamps and other items with naked flames away from the appliance so that do not set the appliance on fire.

The appliance is intended for keeping food stuff and/or beverages in normal household as explained in this instruction booklet The appliance is heavy. Care should be taken when moving it.

Do not remove nor touch items from the freezer compartment if your hands are damp/wet, as this could cause skin abrasions or frost/freezer burns.

Never use the base, drawers, doors etc. to stand on or as supports.

Frozen food must not be refrozen once it has been thawed out.

Do not store bottled or canned drinks (especially carbonated drinks) in the freezer compartment, as they may explode.



- Do not consume ice popsicles or ice cubes straight from the freezer as this can cause freezer burn to the mouth and lip.
- To avoid items falling and causing injury or damage to the appliance, do not overload the door racks or put too much food in the crisper drawers.
- To avoid items falling and causing injury or damage to the appliance, do not overload the door racks or put too much food in the crisper drawers.

Never cover or obstruct the ventilation slats on the appliance.

### **Caution!**

### **Care and cleaning**

Before maintenance, switch off the appliance and disconnect the mains plug from the mains socket.

- Do not clean the appliance with metal objects, steam cleaner, ethereal oils, organic solvents or abrasive cleaners.
- Do not use sharp objects to remove frost from the appliance. Use a plastic scraper.

### **Installation Important!**

For electrical connection carefully, follow the instructions given in this manual.

- Unpack the appliance and check if there are damages on it. Do not connect the appliance if it is damaged. Report possible damages immediately to the place you bought it. In this case retain packing.

It is advisable to wait at least four hours before connecting the appliance to allow the oil to flow back in the compressor.

- Adequate air circulation should be around the appliance, lacking this leads to overheating. To achieve sufficient ventilation, follow the instructions relevant to installation. Wherever possible the back of the product should be against a wall to avoid touching or catching warm parts (compressor, condenser) to prevent the risk of a fire, follow the instructions relevant to installation.

The appliance must not be located close to radiators or cookers.

Make sure that the mains plug is accessible after the installation of the appliance.

## **Service**

Any electrical work required to do the servicing of the appliance should be carried out by qualified electrician or competent person.

This product must be serviced by an authorized Service Center, and only genuine spare parts must be used:

- 1) If the appliance is Frost Free.
- 2) If the appliance contains freezer compartment.

### In case of malfunction

If a malfunction occurs on the appliance, please look first in the “Trouble shooting” section of these instructions. If the information given there does not help, please do not perform any further repairs yourself.

Under no circumstance should you attempt to repair the appliance yourself. Repairs carried out by inexperienced persons may cause injury or serious malfunctioning.

### Remove transport packaging

The appliance and the interior fittings are protected for transportation. Pull off the adhesive tape on the left and right side of the door. You can remove any remnants of adhesive using white spirit. Remove all adhesive tape and packing pieces from the interior of the appliance.

### Installation

#### Installation Location

Before installing, carefully read the instruction in the end in order to avoid a certain number of problems.

Warning: to avoid a hazard due to instability of the appliance, it must be fixed according to the instructions:

### Building in

Dimensions of the recess

Height (1) mm 880

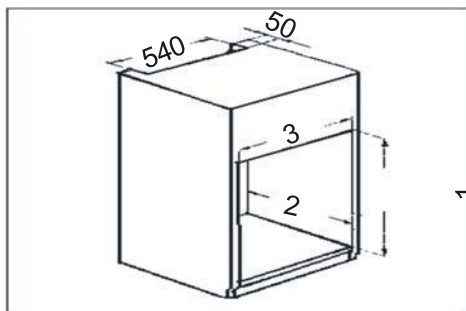
Depth (2) mm 550

Width (3) mm 560

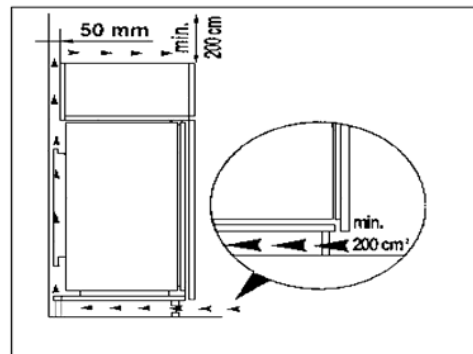
It is necessary that the cabinet has a ventilation recess with the following dimensions :

Depth 50mm

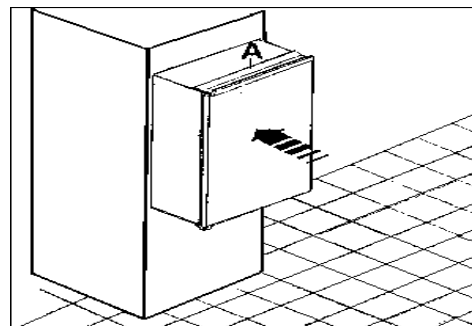
Width 540 mm



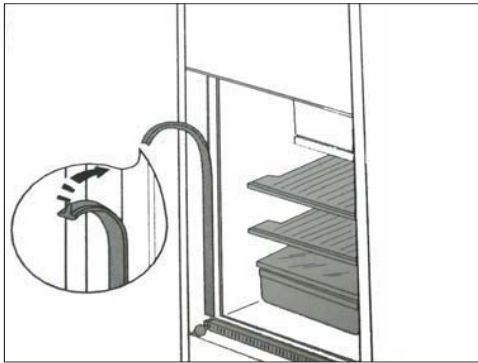
For appropriate venting, follow indications in the figure.



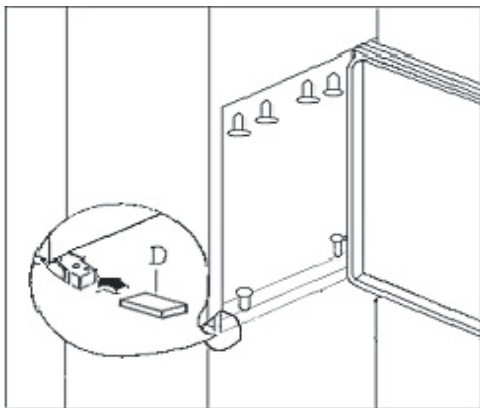
1. Push the appliance into the housing until stop strip (A) touches the kitchen unit.



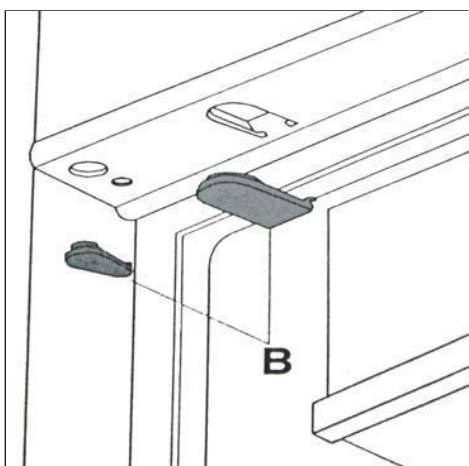
2. Press in the joint covers between the appliance and the kitchen furniture (only on the side without hinge)



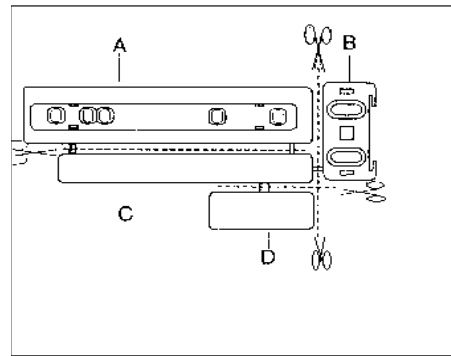
**3.** Open the door and push the appliance against the side of kitchen furniture opposite to that of appliance hinges. Fasten the appliance with 6 screws provided in the kit included with the appliance. Snap hinge cover (D) into position.



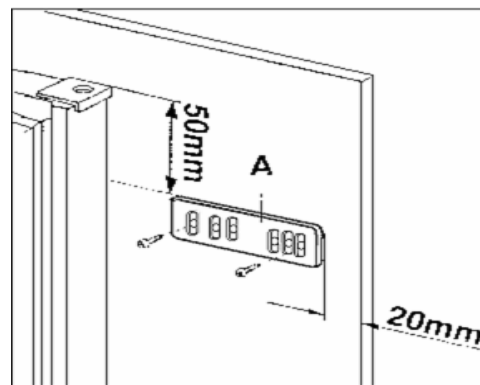
**4.** Apply blanking covers (B) as indicated.



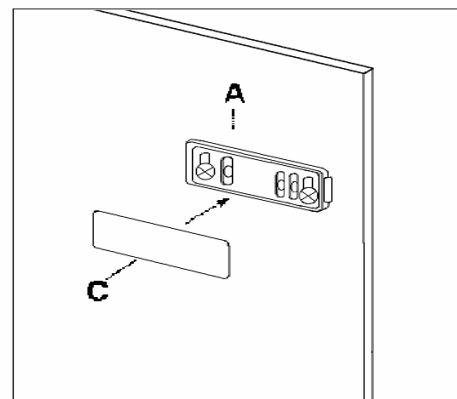
**5.** Separate parts A,B,C,D as shown in the figure.



**6.** Place guide (A) on the side part of the furniture door, up and down as shown in the figure and mark the position of external holes. After having drilled holes, fix the guide with the screws supplied.

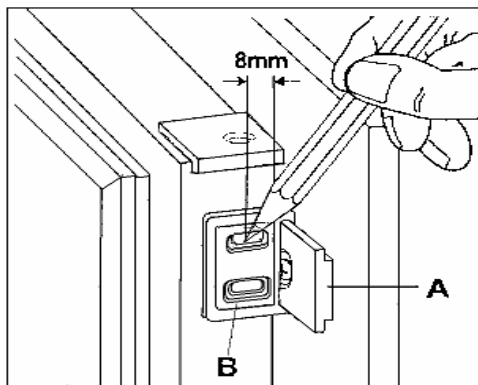


**7.** Fix cover (C) on guide (A) until it clips into place.

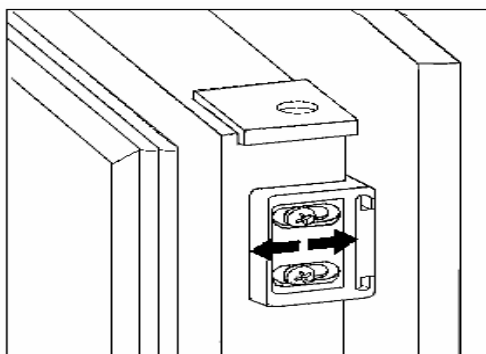


**8.** Open the appliance door and the furniture door at 90°. Insert the small square (B) into guide (A). Push together the appliance door and the furniture door and mark the holes as indicated in the figure remove the squares and drill holes with  $\phi 2$  mm at 8 mm from the outer edge

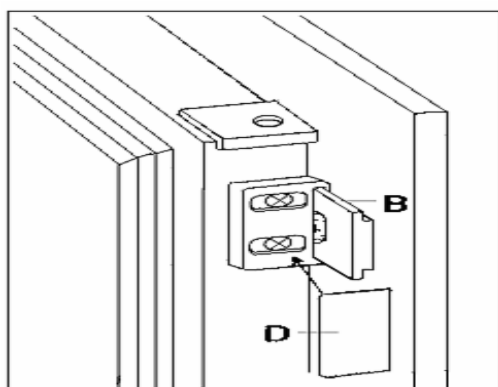
of the door . Place the small square on the guide again and fix it with the screws supplied.



9. Should the lining up of the furniture door be necessary , use the clearance of slots .At the end of operations, it is necessary to check the door of the furniture closes properly.



10. Fix cover (D) on guide (B) until it clips into place.



## Reversing the door

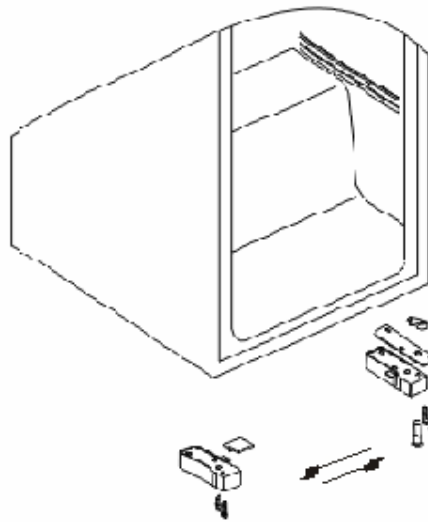
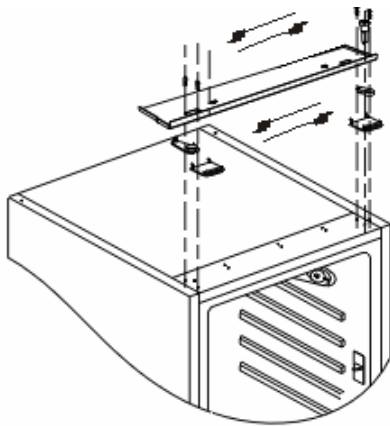
The side at which the door opens can be changed from the right side (as supplied) to the left side, if the installation site requires.

### Warning!

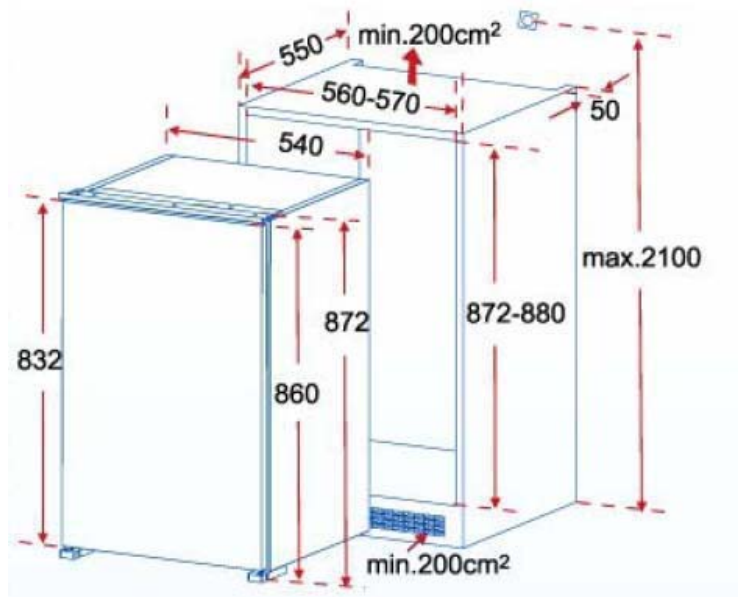
When changing the side at which the door opens, the appliance must not be connected to the mains. Remove plug from the mains beforehand.

The side at which the door opens can be changed from the right side (as supplied) to the left side, if the installation site requires. Tilt the appliance slightly towards the rear and prop it securely. Unscrew the door hinge screws and remove the hinge pin bracket. Open the door a little way and take it out downwards.

Unscrew the upper pin and screw it into place on the opposite side. Fit the door into the upper pin and close it. Screw the hinge pin bracket securely into place on the opposite side using the screws.



## Integrated Cooling Technical Diagrams



## Positioning

Position the appliance away from sources of heat such as stoves, radiators, direct sunlight etc. Maximum performance and safety are guaranteed by maintaining the correct indoor temperature for the class of unit concerned, as specified on the rating plate.

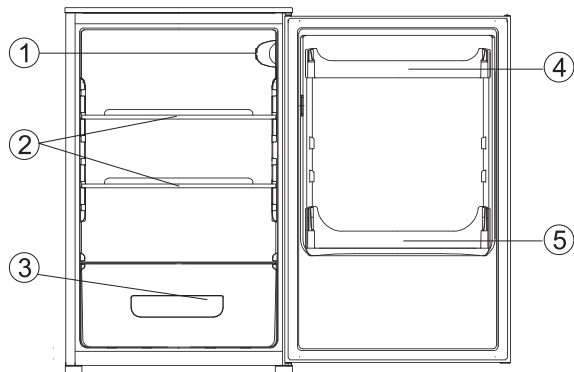
Climate classification	Ambient temperature
SN	10~32°C
N	16~32°C
ST	16~38°C
T	16~43°C

This application works best from N to ST

Appliances must not be exposed to rain. Sufficient air must be allowed to circulate in the lower rear section of appliances, as poor air circulation can affect performance. Built-in appliances should be positioned away from heat sources such as heaters and direct sunlight.

## Description of the appliance

### View of the appliance



1. Temperature regulator
2. Storage shelves
3. Vegetable drawers
4. Butter/cheese compartments with flap and egg storage insert
5. Bottle shelf

## Starting up and temperature regulation

Insert the plug of the connection lead into the plug socket with protective earth contact. When the refrigerator compartment door is opened, the internal lighting is switched on.

The temperature selector knob is located on the RH side of the refrigerator compartment.

### Setting 0 means:

Off.

Turning clockwise in direction Refrigerating unit on, the latter then operating automatically.

### Setting 1 means:

Highest temperature, warmest setting.



**Setting 7 (end-stop) means:**

Lowest temperature, coldest setting.

At a low ambient temperature of around 16 °C, setting 1 should be selected. At ambient temperatures of around 25 °C, select setting 2. If you require a lower temperature, select setting 3 or 4.

**Important!**

High ambient temperatures (e.g. on hot summer days) and a cold setting on the temperature regulator (position 6 to 7) can cause the compressor to run continuously. Reason: when the ambient temperature is high, the compressor must run continuously to maintain the low temperature in the appliance.

**Interior accessories**

**Storage shelves/wire tray**

Various glass or plastic storage shelves and wire trays are included with your appliance - different models have different combinations.

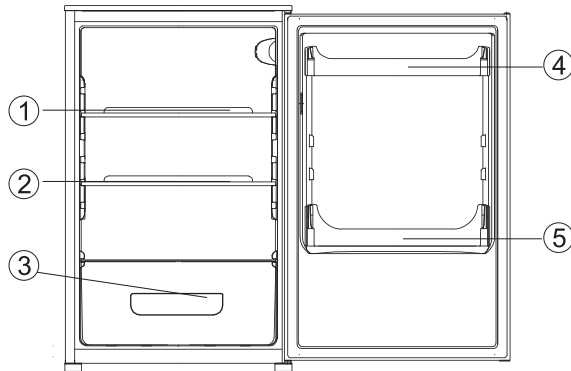
You should always slide one of the full size glass storage shelves into the lowest set of guides, above the fruit and vegetable containers, and keep it in this position.

The height of the storage shelves can be adjusted:

To do this, pull the storage shelf forward until it can be swiveled upwards or downwards and removed.

Please do the same in reverse to insert the shelf at a different height.

**Correct storage**



- 1. Meat, salami, cold cuts, dairy
- 2. Ready meals, pastries
- 3. Cheese storage, fruit, and vegetables
- 4. Preserves
- 5. Drinks

**Tips:**

Food in the refrigerator should always be covered or packaged, to prevent drying and tainting of other food.

The following are suited for packaging:

- Polyethylene airtight bags and wraps,
- Plastic containers with lids;
- Special plastic covers with elastic,
- Aluminium foil.

**Switching off the appliance**

To switch off the appliance, turn the temperature regulator to position "0".

**If the appliance is not going to be used for an extended period:**



Remove all refrigerated packages.

Switch off the appliance by turning the temperature regulator to position “0” .

Remove the mains plug or switch off or disconnect the electricity supply.

Clean thoroughly (see section: Cleaning and Care)

Leave the door open to avoid the build up of odors.

## Cleaning and Care

For hygienic reasons the appliance interior, including interior accessories, should be cleaned regularly.

### Warning!

The appliance may not be connected to the mains during cleaning. Danger of electrical shock! Before cleaning switch the appliance off and remove the plug from the mains, or switch off or turn out the circuit breaker or fuse.

Never clean the appliance with a steam cleaner. Moisture could accumulate in electrical components, danger of electrical shock! Hot vapors can lead to the damage of plastic parts.

The appliance must be dry before it is placed back into service.

### Important!

Ethereal oils and organic solvents can attack plastic parts, e.g. lemon juice or the juice from orange peel, butyric acid, cleanser that contain acetic acid.

Do not allow such substances to come into contact with appliance parts.

Do not use any abrasive cleansers.

Remove the food from the refrigerator. Store it in a cool place, well covered.

Switch the appliance off and remove the plug from the mains, or switch off or turn out the circuit breaker or fuse.

Clean the appliance and the interior accessories with a cloth and lukewarm water.

Commercially available dish washing detergents may also be used.

After cleaning wipe with fresh water and rub dry.

Accumulation of dust at the condenser increases energy consumption.

For this reason carefully clean the condenser at the back of the appliance once a year with a soft brush or a vacuum cleaner.

Check the water drain hole on the rear wall of the fridge.

Clear a blocked drain hole with the aid of the green peg in the pack of accessories included with the appliance.

After everything is dry place appliance back into service.

### Energy Saving tips

1. Do not place warm foods into the appliance. Allow warm foods to cool first. Do not install the appliance near cookers, radiators or other sources of warmth. High ambient temperatures cause longer, more frequent operation of the compressor
2. In order to make the cooling system work efficiently, please make sure the side plates and back plate of the product are with some distance from the wall. It is strongly recommended that the distance should be more than 50mm.
3. When the product works, please do not open the door too often or leave the door open any longer than necessary.
4. Do not set temperature any colder than necessary.
5. The sketch map shows the right combination of the drawers, baskets and shelves which can lead to the more energy efficiency. If users adjusted the combination, it would result the energy-consuming.

## Trouble shooting

### Correcting Malfunctions

Spare parts:

The following spare parts can be ordered.

You can fit these yourself without any special skill or training, e.g.:

- butter/cheese compartment,
- egg holders,
- door racks,
- fruit and vegetable drawers,
- storage racks.

A malfunction may be caused by only a minor fault that you can rectify yourself using the following instructions. Do not perform any other work on the appliance if the following information does not provide assistance in your specific case.

#### **Important!**

Repairs to refrigerators/freezers may only be performed by competent service engineers. Improper repairs can give rise to significant hazards for the user. If your appliance needs repairing, please contact your specialist dealer or your local Service Force Center.

Symptom	Possible Cause	Remedy
Appliance does not work.	Appliance is not switched on.	Switch on the appliance.
	Mains plug is not plugged in or is loose.	Insert mains plug.
	Fuse has blown or is defective.	Check fuse, replace if necessary.
	Socket is defective.	Mains malfunctions are to be corrected by an electrician.
Appliance cools too much.	Temperature is set too cold.	Turn the temperature regulator to a warmer setting temporarily.
The food is too warm.	Temperature is not properly adjusted.	Please look in the "initial Start Up" section.
	Door was open for an extended period.	Open the door only as long as necessary.
	A large quantity of warm food was placed in the appliance within the last 24 hours.	Turn the temperature regulation to a colder setting temporarily.
	The appliance is near a heat source.	Please look in the "installation location" section.
Interior lighting does not work.	Light bulb is defective.	Please look in the "changing the Light Bulb" section.
Heavy build-up of frost, possibly also on the door seal.	Door seal is not air-tight(possibly after reversing the door).	Carefully warm the leaking sections of the door seal with a hair dryer(on a cool setting). At the same time shape the warmed door seal by hand such that it sits correctly.
Unusual noises.	Appliance is not level.	Readjust the feet.
	The appliance is touching the wall or other objects.	Move the appliance slightly.

	A component, e.g. a pipe, on the rear of the appliance is touching another part of the appliance or the wall.	If necessary, carefully bend the component out of the way.
The compressor does not start immediately after changing the temperature setting.	This is normal, no error has occurred.	The compressor starts after a period of time.
Water on the floor or storage shelves.	Water drain hole is blocked.	See the “cleaning and care” section.

## Changing the light bulb

### Warning!

Before changing the light bulb, switch off the appliance and unplug it, or pull the fuse or the circuit breaker.

Light bulb data: 220-240 V, max. 15 W

To switch off the appliance, set the temperature regulator to position “0” .

Unplug the mains plug.

To change the light bulb, undo the screw.

Press the light bulb cover and slide it backwards.

Change the defective light bulb.

Refit the light bulb cover and the screw.

Put the refrigerator back into operation.

## Noises during Operation

The following noises are characteristic of refrigeration appliances:

### Clicks

Whenever the compressor switches on or off, a click can be heard.

### Humming

As soon as the compressor is in operation, you can hear it humming.

### Bubbling

When refrigerant flows into thin tubes, you can hear bubbling or splashing noises.

### Splashing

Even after the compressor has been switched off, this noise can be heard for a short time.

### Regulations, Standards, Guidelines

This appliance is in accordance with the following EU guidelines:

-2006/95EC low voltage guidelines.

-2004/108EC EMC Directive

## Disposal of the appliance

It is prohibited to dispose of this appliance in domestic household waste.

For disposal there are several possibilities:

1. The municipality has established collection systems, where electronic waste can be disposed of at least free of charge to them user.
2. The manufacturer will take back the old appliance for disposal at least free of charge to the user.
3. As old products contain valuable resources, they can be sold to scrap metal dealers.

Wild disposal of waste in forest and landscapes endangers your health when hazardous substances leak into the ground-water and find their way into the food chain.



Meaning of crossed out wheeled dustbin:

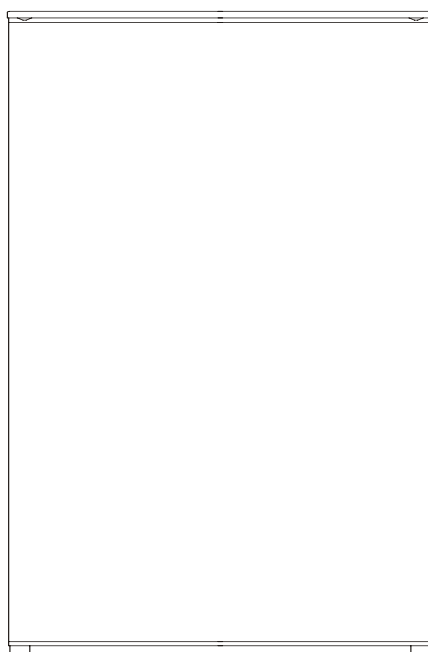
Do not dispose of electrical appliances as unsorted Municipal waste, use separate collection facilities. Contact your local government for the information regarding the collection systems available.

If electrical appliances are disposed of in landfills or dumps, hazardous substances can leak into the groundwater and get into the foodchain, damaging your health and well-being. This symbol on the product or in the instructions mean that your electrical and electronic equipment should be disposed at the end of life separately from your household waste. There are separate collection systems for recycling in the EU. For more information, please contact the local authority or your retailer where you purchased the product.

# **CANDY**

**REFRIGERATEUR ENCASTRABLE**

**NOTICE D'UTILISATION**



Cher client,

Cette notice contient des informations importantes relatives à l'installation, à l'utilisation et à la maintenance de votre nouveau réfrigérateur. Nous vous recommandons de la lire attentivement de manière à optimiser l'utilisation de votre appareil en toute sécurité.

Conservez ce document et n'oubliez pas de le confier à l'acquéreur en cas de revente.

Veillez noter que pour une meilleure lecture de cette notice, les principes de fonctionnement importants sont précédés par les termes **Important !**, **Attention !** Ces termes sont destinés à vous alerter sur l'importance d'une information pour votre sécurité. Assurez-vous d'avoir bien compris tous les avertissements signalés dans cette notice.

# Sommaire

<b>Sécurité et mises en garde</b> - - - - -	<b>-3</b>
<b>Comment enlever le packaging de protection</b> - - - - -	<b>11</b>
<b>Installation de votre appareil</b> - - - - -	<b>12</b>
<b>Encastrement de votre appareil</b> - - - - -	<b>12</b>
<b>Inversion du sens d'ouverture des portes</b> - - - - -	<b>15</b>
<b>Comment positionner votre appareil</b> - - - - -	<b>16</b>
<b>Description de l'appareil</b> - - - - -	<b>17</b>
<b>Démarrer et régler la température</b> - - - - -	<b>17</b>
<b>Aménagement intérieur</b> - - - - -	<b>18</b>
<b>Comment nettoyer votre appareil</b> - - - - -	<b>19</b>
<b>Conseils divers</b> - - - - -	<b>19</b>
<b>Dysfonctionnements éventuels</b> - - - - -	<b>20</b>
<b>Changer l'ampoule</b> - - - - -	<b>21</b>
<b>Bruits pendant le fonctionnement</b> - - - - -	<b>21</b>
<b>Normes</b> - - - - -	<b>21</b>
<b>Mise hors d'usage de l'appareil</b> - - - - -	<b>21</b>

**C E** Cet appareil est conforme aux normes suivantes européennes:2006/95/EC et 2004/108/EC et 2009/125/EC et EC.643/2009 et 2002/96/EC



## **Sécurité et mises en garde**

Pour votre sécurité et pour une utilisation correcte de l'appareil, avant d'installer et d'utiliser l'appareil pour la première fois, lisez attentivement cette notice, y compris les mises en gardes et les conseils utiles qu'elle contient. Afin d'éviter d'endommager l'appareil et/ou de vous blesser inutilement, il est important que les personnes amenées à utiliser cet appareil aient pris entièrement connaissance de son fonctionnement ainsi que de ses fonctions de sécurité. Conservez ces consignes pour plus tard et pensez à les ranger à côté de l'appareil, afin qu'elles soient transmises avec ce dernier en cas de vente ou de déménagement. Cela permettra de garantir un fonctionnement optimal du système.

Pour éviter tout risque de blessure, conservez cette notice. Le fabricant ne saurait en effet pas être tenu responsable en cas de mauvaise manipulation du système.

**Sécurité des enfants et des autres personnes vulnérables**



- Ce système peut être utilisé par des enfants âgés de 8 ans et plus et par des personnes à capacités réduites sur le plan physique, sensoriel ou mental, ou n'ayant pas appris à utiliser l'appareil, dans le cadre où ils sont encadrés par une personne informée et ayant conscience des risques impliqués. Les enfants ne doivent pas jouer avec l'appareil. Le nettoyage et l'entretien ne doivent en aucun cas être effectués par des enfants sans surveillance.
- Conservez tous les emballages hors de portée des enfants, car il existe un risque de suffocation.
- Si vous vous débarrasser de l'appareil, retirez la fiche de la prise, coupez le câble de raccordement (au plus près possible de l'appareil) et enlever la porte pour éviter que les enfants subissent un choc électrique ou qu'ils s'enferment à l'intérieur.
- Si cet appareil, muni de fermeture magnétique devait remplacer un ancien appareil ayant un système de verrou sur la porte ou le couvercle, assurez-vous de le rendre inutilisable au moment de vous en débarrasser. Cela permettra d'éviter à l'appareil de devenir un risque mortel pour un enfant.

### **Sécurité générale**



- **ATTENTION !** Cet appareil est conçu pour fonctionner dans un foyer domestique et dans les environnements de type suivant :

- locaux de cuisine et équipements vendus dans le commerce, environnements de travail et bureaux ;
  - structures de type Bed and Breakfast
  - bâtiments de ferme et hôtels, motels et autres organismes accueillant des clients ;
  - cuisine industrielle et autres applications non destinées à la revente
  - ATTENTION — Ne rangez jamais de substances inflammables telles que des aérosols à l'intérieur de cet appareil, car elles pourraient s'y déverser.
  - ATTENTION — Si le cordon d'alimentation est endommagé, vous devez le remplacer immédiatement auprès de votre fabricant, ou d'un revendeur qualifié, afin d'éviter tout risque d'électrocution.
  - ATTENTION — Maintenez les ventilations bien ouvertes, et vérifiez bien que l'air peut circuler par les ouvertures, surtout si l'appareil est encastré dans le mur.
  - ATTENTION — Etant donné que les systèmes mécaniques et autres équipements électriques accélèrent le processus de dégivrage, respectez l'environnement recommandé par le fabricant.
  - ATTENTION — N'endommagez pas le circuit de réfrigération.
  - ATTENTION — N'utilisez pas d'appareils électriques à l'intérieur du compartiment destiné à recevoir de la nourriture, sauf si ces derniers sont tolérés par le fabricant.
- ATTENTION — Votre appareil contient des gaz

inflammables. N'exposez jamais l'appareil aux flammes. L'appareil doit être détruit en respectant la réglementation à ce sujet (renseignez-vous auprès de votre collectivité locale).

- **ATTENTION** — Pour éviter tout risque d'instabilité du système, fixez-le au moyen des éléments indiqués dans la notice.

### **Liquide réfrigérant**

- De l'isobutane réfrigérant (R600a) est utilisé dans le circuit réfrigérant du système ; Il s'agit d'un gaz naturel hautement inflammable, et donc dangereux pour l'environnement. Pendant les transports et l'installation du système, vérifiez qu'aucun des composants du circuit de réfrigération ne soit endommagé. Le réfrigérant (R600a) est un liquide inflammable.



### **Attention : Risque d'incendie**

Si le circuit de réfrigération était endommagé :

- Évitez les flammes nues et toute source d'inflammation.
- Ventilez bien la pièce où se trouve l'appareil.

Il est dangereux de modifier la composition de cet appareil, de quelque manière que ce soit.

Tout dommage fait au cordon peut provoquer un court-circuit, et/ou une électrocution.



### **Sécurité électrique**

1. Le cordon d'alimentation ne doit pas être rallongé.
2. Vérifiez bien que la prise murale n'est pas endommagée. Une prise murale en mauvais état pourrait entraîner une surchauffe du système et son explosion.

3. Vérifiez bien que vous pouvez accéder à la prise murale de l'appareil.
4. Ne tirez jamais sur le câble principal.
5. Si la prise murale est lâche, ne branchez pas le cordon. Il existe un risque d'électrocution ou d'incendie.
6. Vous ne devez jamais utiliser l'appareil si le cache de l'éclairage intérieur n'est pas en place.
7. Ce réfrigérateur fonctionne sur un courant à phase unique de 220~240V/50Hz. Si des variations de tensions sont constatées ou que la tension électrique dépasse la valeur conseillée, pour votre sécurité, vérifiez bien que le régulateur de tension automatique C.A supporté bien 350W de plus que l'appareil. Le réfrigérateur doit utiliser une prise murale spécifique plutôt qu'une prise regroupant d'autres appareils électriques. L'appareil doit être relié au sol selon les recommandations en vigueur.

### **Utilisation quotidienne**

- Ne stockez jamais de substances ou de liquides inflammables à l'intérieur de l'appareil ; cela provoquerait un risque d'exposition.
- Ne faites pas fonctionner d'autres appareils électriques à l'intérieur de cet appareil (mixeurs, turbines à glace électrique, etc.).
- Lorsque vous débranchez l'appareil, tenez toujours la prise dans vos mains et ne tirez pas sur le cordon.
- Ne placez pas d'éléments chauds ni de composants en plastiques dans cet appareil.

- Rangez les aliments déjà emballés conformément aux consignes livrées par leur fabricant.
- Cet appareil doit être utilisé et traité selon certaines règles spécifiques. Consultez les règles établies en matière de stockage.
- Ne placez pas de boissons gazeuses dans le compartiment de congélation, car cela exercerait une pression sur les bouteilles, qui pourraient exploser à l'intérieur de l'appareil.
- Les aliments congelés peuvent brûler s'ils sortent directement du froid.
- N'exposez pas l'appareil directement au soleil.
- Conservez les bougies, luminaires et autres flammes nues éloignées de l'appareil, afin d'éviter les risques d'incendie.
- Cet appareil est destiné à ranger des aliments et/ou des boissons domestiques traditionnelles, selon les consignes livrées avec le système.
- L'appareil est lourd. Soyez prudent lorsque vous le déplacez.
- Ne retirez pas et ne touchez pas les éléments du congélateur si vous avez les mains mouillées/humides, car cela pourrait provoquer une abrasion de la peau et/ou des brûlures graves.
- N'utilisez jamais le socle, les tiroirs, les portes, et autres éléments similaires pour vous appuyer
- Les aliments congelés ne doivent jamais être recongelés une fois qu'ils ont été décongelés.

- Pour éviter les chutes d'objets et empêcher de détériorer l'appareil, ne surchargez pas les compartiments de portes ni les tiroirs.

**Attention !**

**Nettoyage et entretien**

- Avant tout entretien, débranchez l'appareil et coupez le courant.
- Ne nettoyez pas l'appareil avec des objets métalliques, un système à vapeur, des huiles volatiles, des solvants organiques ou des composants abrasifs.
- N'utilisez pas d'objets tranchants ou pointus pour retirer la glace. Utilisez un grattoir en plastique.

**Information importante à propos de l'installation!**

- Pour que les branchements électriques soient corrects, suivez bien les consignes livrées dans ce manuel.
- Déballez l'appareil et vérifiez qu'il n'est pas endommagé visuellement. Ne branchez pas l'appareil si ce dernier est endommagé. Signalez tout dommage au point de vente où vous l'avez acheté. Dans ce cas, conservez l'emballage.
- Il est recommandé d'attendre au moins quatre heures avant de brancher l'appareil au courant, afin que le compresseur soit bien alimenté en huile.

- Une bonne circulation de l'air est nécessaire, afin d'éviter les risques de surchauffe. Pour que la ventilation soit suffisante, suivez bien les consignes d'installation fournies.
- Dès que possible, évitez que l'appareil ne touche les parois murales et/ou ne soit en contact avec des éléments chauds (compresseur, condensateur) afin d'éviter les risques d'incendie. Respectez toujours bien les consignes d'installation.
- L'appareil ne doit pas être situé à côté de radiateurs ou de feux de cuisson.
- Vérifiez bien que les prises sont accessibles une fois l'appareil installé.

### **Dépannage**

- Toute opération électrique doit être effectuée par un technicien qualifié et compétent dans le domaine.

Cet appareil doit être dépanné par un Centre de Réparation Agréé, et seules des pièces d'origine doivent être utilisées.

- 1) Si l'appareil ne contient pas de congélateur.
- 2) Si l'appareil contient un congélateur.

**En cas de dysfonctionnement :**

Si un dysfonctionnement apparaît, reportez-vous s'il vous plait en premier lieu à la section "dysfonctionnements éventuels" de cette notice. Si les informations fournies dans cette dernière ne suffisent pas, demandez de l'aide à votre revendeur.

N'entrez en aucun cas de réparer votre appareil vous même.

**Comment enlever le packaging de protection?**

L'appareil et l'aménagement intérieur sont protégés pour le transport.

Retirez l'adhésif qui se trouve sur les côtés droit et gauche de la porte. Vous pouvez retirer tout reste d'adhésif en utilisant du White Spirit. Retirez tous les adhésifs et les protections des pièces intérieures.



## Installation de votre appareil

Avant d'installer votre appareil, veuillez lire attentivement et entièrement la notice d'installation afin d'éviter tout problème.

**Attention:** pour éviter tout risqué dû à une mauvaise installation de l'appareil, ce dernier doit être fixé selon les instructions présentées ci-dessous.

### Encastrement

#### Dimensions d'encastrement

Hauteur mm min 880

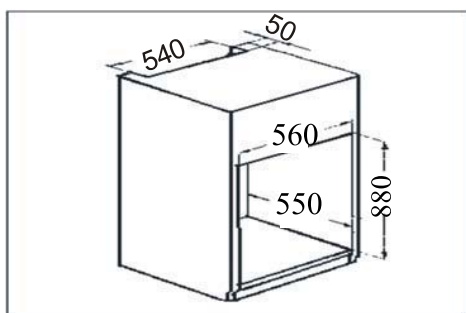
Profondeur mm min 550

Largeur mm min 560

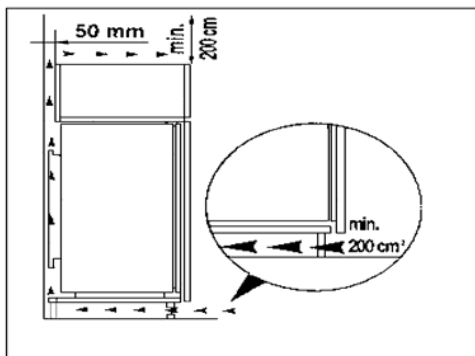
Il est nécessaire que le caisson soit équipé d'une niche d'aération aux dimensions suivantes :

Profondeur 50mm

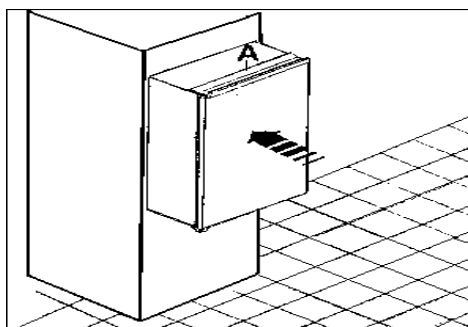
Largeur 540 mm



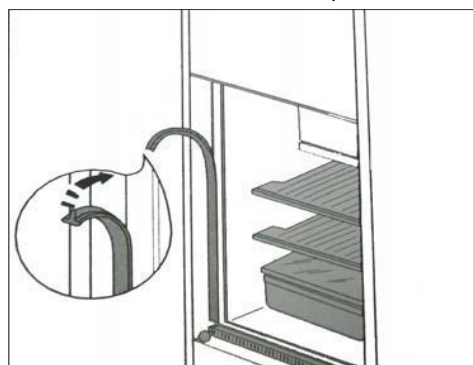
Pour une aération appropriée, veuillez suivre les indications ci-dessous sur le dessin.



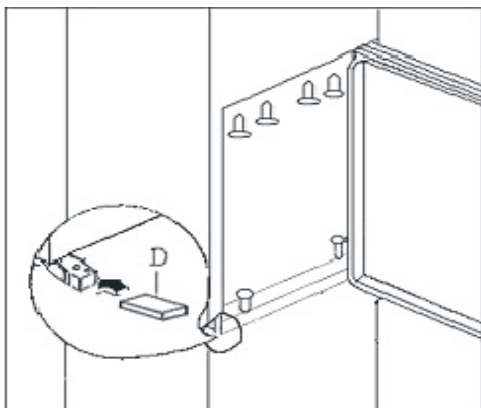
1. Placer l'appareil dans le caisson jusqu'à ce que la lamelle (A) touché le caisson.



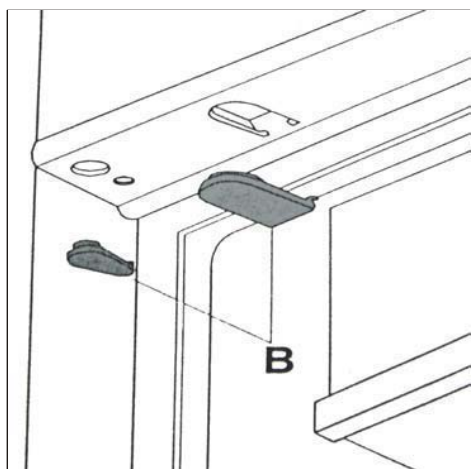
2. Placer les joints entre l'appareil et le caisson de la cuisine (seulement sur le côté sans charnière)



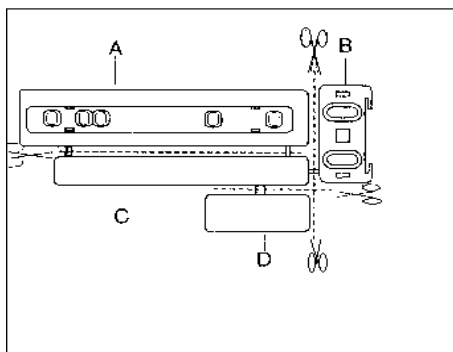
3. Ouvrir la porte et pousser l'appareil contre le côté du caisson de cuisine oppose aux charnières de la cuisine. Fixer l'appareil avec les 6 écrous prévus à cet effet dans le kit inclus dans l'appareil. Repositionner la charnière (D) dans sa position.



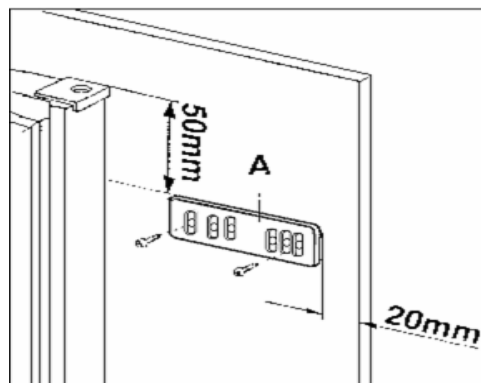
4. Positionnez les plaques de protection (B) comme indiqué ci-dessous.



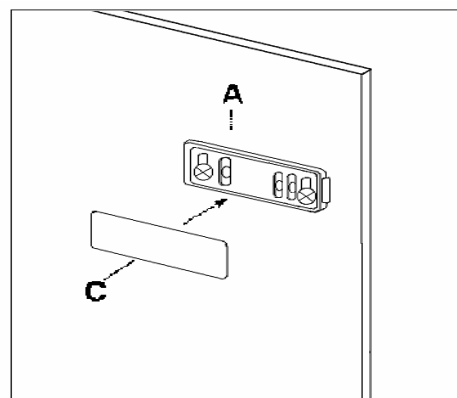
5. Séparez les parties A, B, C, D comme montré dans le dessin ci-dessous.



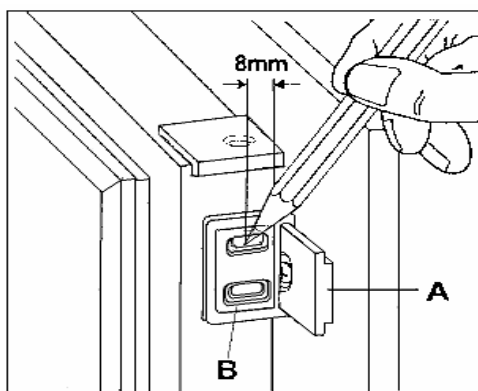
6. Placez la glissière (A) sur le côté intérieur de la porte de cuisine, aux distances indiquées dans le dessin ci-dessous, et marquez les positions des trous. Après avoir percé les trous, fixez la glissière avec les vis fournies.



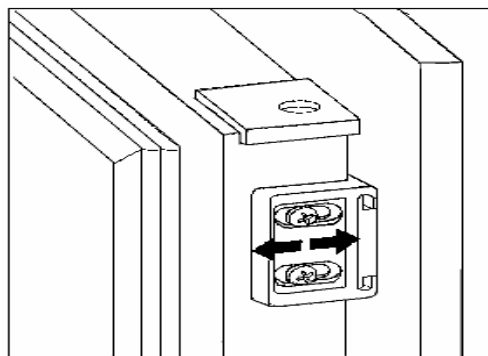
7. Placez le cache (C) sur la charnière (C) jusqu'à ce qu'il se clipse.



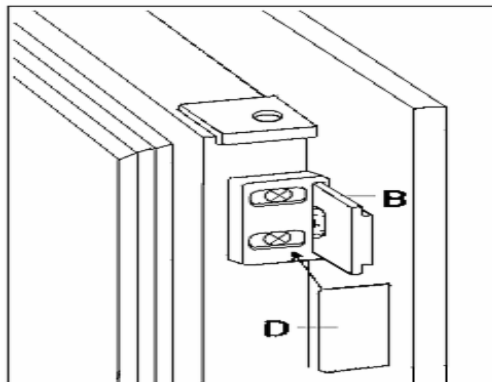
- 8.** Ouvrir la porte de l'appareil et la porte de la cuisine à 90°C. Insérer la petite pièce carrée (B) dans la charnière (A). Poussez ensemble la porte de l'appareil et celle de la cuisine et faites les marques pour les trous comme indiqué dans le dessin ci-dessous. Z des trous de  $\varnothing$  2mm de diamètre à 8mm de la tranche de la porte. Placez une nouvelle fois la petite pièce carrée dans la charnière et fixez la avec les vis fournies.



- 9.** Afin d'aligner la porte de la cuisine, aidez vous de l'ajustement des encoches. A la fin de l'opération, il est nécessaire de vérifier que la porte de la cuisine ferme correctement.



- 10.** Fixez le cache (D) sur la charnière (B) jusqu'à ce qu'il se clipse.



## INVERSION DU SENS D'OUVERTURE DES PORTES

Votre réfrigérateur vous est livré avec les charnières de la porte montées à droite. Voici les instructions à suivre si vous désirez changer le sens d'ouverture de la porte.

### Attention!

Votre appareil ne doit pas être branché lorsque vous changez le sens d'ouverture de la porte.

Penchez légèrement l'appareil vers l'arrière et appuyez-le contre un mur avec précaution.

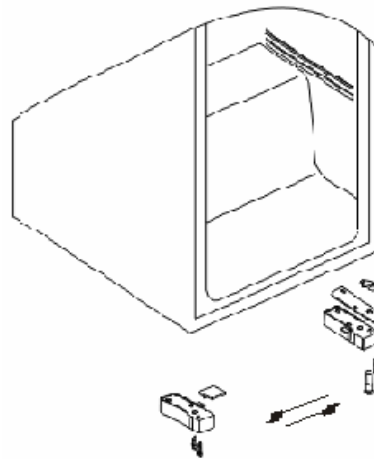
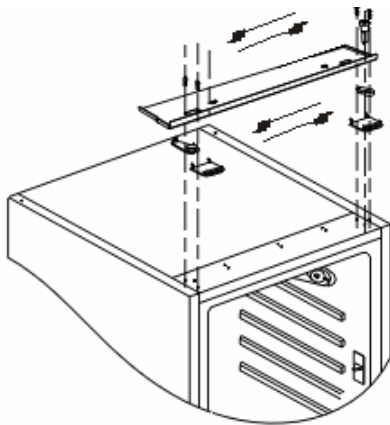
Dévissez la charnière de la porte et retirez les attaches de la charnière.

Ouvrir légèrement la porte et retirez-la de haut en bas.

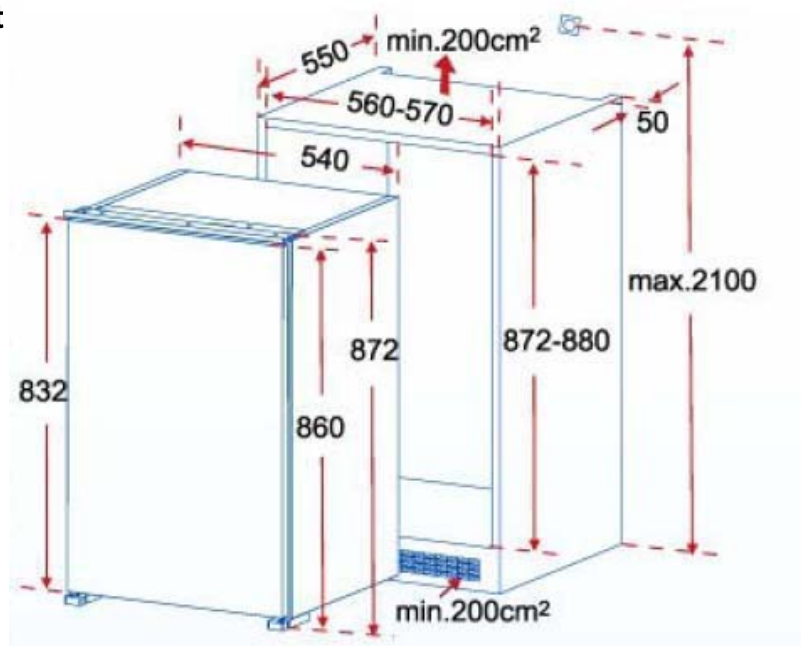
Dévissez la charnière supérieure et vissez-la du côté opposé.

Placez la porte sur la charnière supérieure et fermez-la.

Vissez attentivement les attaches de la charnière sur le côté opposé en utilisant les vis fournies.



### Schéma d'encastrement



## COMMENT POSITIONNER VOTRE APPAREIL?

L'appareil doit être placé dans une pièce sèche et bien ventilée. La performance et la consommation d'énergie de votre appareil pouvant être affectées par la température ambiante, assurez-vous que les conditions suivantes sont bien réunies :

- ne pas exposer l'appareil aux rayons du soleil ;
- ne pas installer l'appareil à proximité d'un radiateur, d'un appareil de cuisson ou de toute autre source de chaleur ;
- placer l'appareil dans un endroit où la température ambiante correspond à la classe climatique de l'appareil. Vous pouvez trouver la classe climatique sur la plaque de données de l'appareil située dans le coin en haut à gauche. La table suivante résume cette classification climatique et la correspondance avec la température ambiante :

Classe climatique	Température ambiante
SN	10~32°C
N	16~32°C
ST	16~38°C
T	16~43°C

Cet appareil fonctionne de manière optimale dans la classe climatique N à ST.

### Alimentation électrique

L'appareil est seulement compatible avec une prise de 220-240V, (50±1)Hz.

### Cordon d'alimentation

Le fil ne doit pas être plié quand l'appareil est en service ni rallongé. Par ailleurs, il est important de veiller à ce que le fil ne soit pas proche ou ne touche pas le compresseur à l'arrière de l'appareil car il peut chauffer lorsqu'il fonctionne et l'isolant peut ainsi s'altérer et provoquer une fuite électrique.

### Protection de l'humidité

Il est nécessaire d'éviter de placer l'appareil dans une pièce où il y a un fort taux d'humidité afin de minimiser la possibilité qu'une pièce métallique ne rouille. Il est également impératif de veiller à ce que l'appareil ne soit pas éclaboussé d'eau, cela pourrait impacter le pouvoir d'isolation et causer une perte d'énergie.

### La surface au sol

La surface sur laquelle le réfrigérateur est positionné doit être parfaitement plate et solide. Il ne doit absolument pas être posé sur une surface instable. Les pieds de l'appareil vous permettent d'ajuster sa hauteur à souhait.

### Protection de la chaleur

Le réfrigérateur ne doit pas être exposé à une source de chaleur ni aux rayons du soleil.

### Eviter tout danger

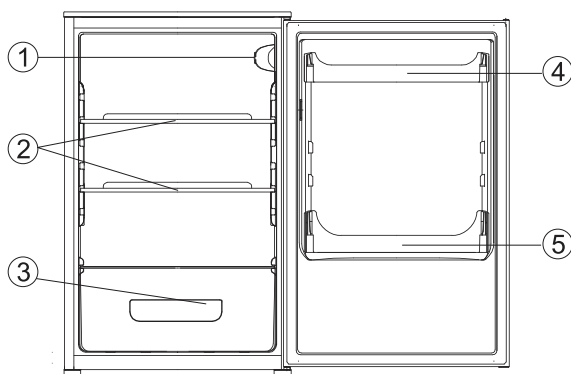
Il est déconseillé de placer le réfrigérateur à proximité d'un quelconque combustible tel que du gaz, de l'essence, de l'alcool... Ces derniers ne doivent pas non plus être stockés dans votre appareil.

### Déplacer l'appareil

Ne couchez pas l'appareil horizontalement ou à un angle inférieur à 45° lorsque vous le déplacez.

## Description de l'appareil

### Vue de l'appareil



1. Commandes de la température
2. Etagères (clayettes)
3. Bacs à légumes
4. Balconnet supérieur avec couvercle (pour rangement beurre, fromage et oeufs)
5. Balconnet à bouteilles

## Démarrer et régler la température

Brancher la prise. Lorsque la porte du réfrigérateur est ouverte, la lampe interne s'allume.

Le sélecteur de température est situé sur le côté droit du réfrigérateur.

### Le réglage "0" signifie :

Eteint.

Tourner dans le sens des aiguilles d'une montre, la mise en route se fait automatiquement.

### Le réglage « 1 » signifie :

Le réglage de la température la plus haute.

### Paramètre « 7 » signifie :

Le réglage de la température la plus basse.

Pour une température ambiante d'environ 16°, le réglage sur la position 1 devrait être choisi. Pour une température ambiante d'environ 25°, sélectionnez la position 2. Si vous désirez une température plus basse, sélectionnez les positions 3 ou 4.



## Important!

Les températures ambiantes élevées (ie pendant les jours d'été) et un réglage sur une basse température (position 6 ou 7) peut provoquer un fonctionnement continu du compresseur.

La raison: lorsque la température ambiante est élevée, le compresseur doit fonctionner de façon continue pour maintenir la basse température de l'appareil.

## Aménagement intérieur

### Clayettes

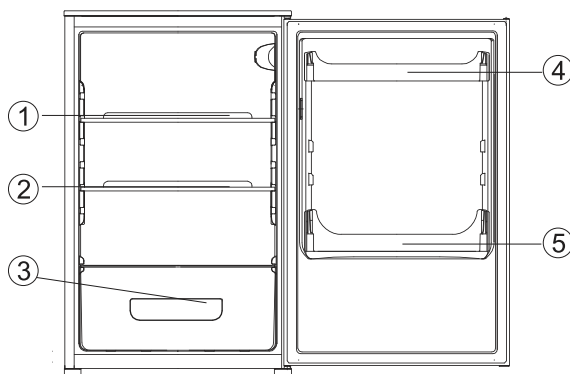
Divers clayettes en verre ou plastique sont fournis avec l'appareil (l'équipement se fait en fonction des modèles).

Vous devriez toujours intégrer une grande clayette en verre au dessus des bacs à légumes

La hauteur des clayettes peut être ajustée. Pour ce faire, tirez la clayette jusqu'à ce que celle-ci puisse être abaissée ou soulevée et l'enlever.

Faire la manipulation inverse pour positionner la clayette à une hauteur différente.

### Conseils sur le rangement des aliments



Votre réfrigérateur est destiné à conserver de la nourriture qui n'a pas besoin d'être congelée. Les températures de chaque compartiment de votre appareil étant différentes, nous vous conseillons de ranger vos aliments comme suit :

1/ Adapté aux plats cuisinés, denrées fraîches, yaourts

2/ Adapté aux plats préparés, pâtisserie

3/ Adapté aux fruits et légumes

4/ Pour le stockage des œufs et des fromages

5/ Adapté au stockage des bouteilles

### Conseil :

Pensez toujours à couvrir et à bien emballer la nourriture qui se trouve dans votre appareil.

Les emballages suivants conviennent à la conservation :

- sacs et pochettes hermétiques en polyéthylène
- les boîtes en plastique avec couvercle
- les sachets en plastique spécifiques
- feuilles d'aluminium

### **Mise en hors service de l'appareil.**

Afin d'éteindre l'appareil, réglez la température sur la position « 0 ».

#### **Si l'appareil est destiné à ne pas être utilisé pour une période prolongée :**

Retirez du réfrigérateur pour les emballages réfrigérés.

Eteindre l'appareil en réglant la température sur la position « 0 ».

Débrancher la prise et couper l'arrivée d'électricité.

Nettoyer soigneusement (voir le chapitre "Comment nettoyer votre appareil?")

Laissez la porte ouverte pour éviter l'apparition d'odeurs de renfermé.

## **Comment nettoyer votre appareil ?**

Pour des raisons d'hygiène, l'appareil, y compris les accessoires intérieurs, doit être nettoyé régulièrement.

### **Attention!**

L'appareil ne doit pas être connecté pendant le nettoyage car il y a danger d'électrocution ! Avant de nettoyer l'appareil, éteindre l'appareil et débrancher la prise (ou couper l'arrivée d'électricité).

Ne jamais nettoyer l'appareil avec un appareil à vapeur. L'humidité pourrait endommager les composants électriques (risque d'électrocution). Les vapeurs chaudes peuvent endommager les parties en plastique.

L'appareil doit être séché avant de le remettre en service.

### **Important!**

> Les solvants organiques peuvent endommager les parties en plastique (par exemple le jus de citron ou le jus d'une orange).

> Ne pas utiliser de nettoyeurs abrasifs.

> Retirez la nourriture du réfrigérateur. La placer dans un endroit frais, bien enveloppée.

> Eteindre l'appareil et débrancher la prise ou couper l'arrivée d'électricité.

> Nettoyer l'appareil et les accessoires intérieurs avec un chiffon humide.

> Un nettoyant spécifique réfrigérateur peut être aussi utilisé.

> L'accumulation de poussière sur le condenseur induit une augmentation de la consommation d'énergie.

C'est pour cette raison que nous vous recommandons de bien nettoyer le condenseur situé à l'arrière de l'appareil une fois par an.

> Vérifiez régulièrement la gouttière d'évacuation d'eau située dans le fond du réfrigérateur.

Nettoyez si cette dernière si elle est bouchée à l'aide de la pointe verte dans les accessoires fournis avec l'appareil.

> Une fois que tout est sec, remettre l'appareil en service.

## **Conseils divers**

Ne pas placer l'appareil à proximité des sources de chaleur comme une cuisinière, un lave-vaisselle ou un radiateur. S'assurer que l'appareil est placé dans une pièce qui soit bien ventilée de manière à ce que l'air soit renouvelé et circule correctement. Eviter de laisser la porte ouverte trop longtemps et inutilement afin que l'air chaud n'entre pas et que l'air froid ne s'échappe pas de l'appareil, ce qui serait source de gaspillage d'énergie.

S'assurer qu'aucun objet n'empêche la bonne fermeture de la porte.



## Dysfonctionnements éventuels

### Important!

La réparation de l'appareil doit exclusivement être effectuée par les services d'une personne qualifiée. Un réparateur non qualifié pourrait provoquer un danger pour les utilisateurs. Si votre appareil a besoin d'être réparé, contactez votre revendeur.

PROBLEME	CAUSE POSSIBLE	SOLUTION
Le réfrigérateur ne fonctionne pas	Vérifier qu'il est bien branché.	Brancher l'appareil.
	La prise est mal branchée.	Brancher la prise.
	Le fusible ou que le disjoncteur ont sauté.	Vérifier le fusible et le changer si besoin.
	La prise électrique est défectueuse.	Vous adresser à une personne agréée.
L'appareil refroidit trop	Le réglage de la température est trop bas.	Changer la température pour un réglage plus élevé.
La nourriture est tiède.	La température n'est pas correctement ajustée.	Veillez regarder dans le chapitre « Démarrer et régler la température ».
	La porte était ouverte pendant une période prolongée.	N'ouvrir la porte que pour le temps nécessaire.
	Une large quantité de nourriture tiède a été placée dans l'appareil depuis les dernières 24h.	Régler la température à un niveau plus bas.
	L'appareil se situe près d'une source de chaleur.	Veillez regarder dans le chapitre « Installation de votre appareil »
La lumière interne ne fonctionne pas	L'ampoule est défectueuse.	Veillez regarder dans le chapitre « Changer l'ampoule »
Bruits inhabituels	L'appareil n'est pas à niveau.	Réajuster les pieds
	L'appareil touche le mur ou autre chose.	Déplacer avec précaution l'appareil.
	Un composant, par exemple un tuyau, à l'arrière de l'appareil touche un autre partie de l'appareil ou le mur.	Déplacer doucement l'appareil ou si nécessaire faire dévier le composant.
Le compresseur ne démarre pas automatiquement après avoir réglé la température.	C'est normal.	Le compresseur démarre après un certain temps.
Apparition d'eau sur le sol ou sur les étagères.	La gouttière d'évacuation de l'eau est bouchée.	Veillez regarder dans le chapitre « Comment nettoyer votre appareil ? »

## Changer l'ampoule

### Attention!

Avant de changer l'ampoule, éteindre l'appareil et le débrancher (ou couper l'arrivée d'électricité).

Ampoule requise : 220-240 V, max. 15 W

Pour éteindre l'appareil, réglez la température sur la position « 0 ».

Débrancher la prise.

Pour changer l'ampoule, enlever les vis.

Presser sur le cache ampoule et l'enlever.

Changer l'ampoule défectueuse.

Replacer le cache ampoule et les vis.

Remettre l'appareil en service.

## Bruits pendant le fonctionnement

Les bruits suivants sont caractéristiques des appareils réfrigérés :

### « Click »

Dès que le compresseur démarre ou s'arrête de fonctionner, un « click » se fait entendre.

### « Ronnement »

Dès que l'appareil est en fonctionnement, vous pouvez l'entendre « ronronner ».

### « Barbotage »

Lorsque le liquide réfrigérant s'infiltré dans les tuyaux, vous pouvez entendre du « barbotage » ou des bruits de dégagement de bulles.

### « Clapotis »

Même après que le compresseur soit éteint, ce bruit de « clapotis » peut être audible pendant un court moment.

## Normes

Cet appareil est en accord avec les normes européennes suivantes :

-2006/95/EC faible voltage normes.

-2004/108/EC EMC Directive

## Mise hors d'usage de l'appareil

Cet appareil ne doit pas être traité comme un déchet ménager. Il doit être rapporté jusqu'à un point de recyclage des déchets électriques et électroniques en accord avec la réglementation en vigueur (DEEE).

Le réfrigérant isobutane (R600a) est contenu dans le circuit de votre appareil. Il s'agit d'un gaz naturel respectueux de l'environnement, qui est cependant inflammable.

Assurez-vous qu'aucun composant du circuit de réfrigération ne vienne à être endommagé.

En vous assurant que ce produit est correctement recyclé, vous participez à la prévention des conséquences négatives sur l'environnement et la santé publique qui pourraient être causées par une mise au rebut inappropriée du produit.



# **CANDY**

**FRIGORIFERO**

**MANUALE D'ISTRUZIONI**



Prima di mettere in funzione l'elettrodomestico, leggere per intero questo manuale e conservarlo per il futuro. In esso sono contenute importanti informazioni sull'installazione, sull'uso e sulla sicurezza.

Note importanti sulla vostra sicurezza o sul corretto funzionamento dell'apparecchio sono evidenziati con le parole **Attenzione!**, **Importante!**.

Si prega di osservare attentamente quanto segue.

Le istruzioni per l'uso contengono anche informazioni per la correzione di eventuali malfunzionamenti da parte dell'utente nella sezione 'Risoluzione dei problemi'. Se queste istruzioni non dovrebbe essere sufficienti, rivolgersi al locale Centro di Assistenza.

## Contenuti

<b>Informazioni e avvertenze sulla sicurezza</b> .....	3
<b>Rimozione dell'imballo</b> .....	12
<b>Installazione</b> .....	13
<b>Incasso</b> .....	13
<b>Posizionamento</b> .....	17
<b>Descrizione dell'apparecchio</b> .....	17
<b>Avvio e regolazione della temperatura</b> .....	17
<b>Accessori interni</b> .....	18
<b>Pulizia e Manutenzione</b> .....	18
<b>Consigli</b> .....	18
<b>Risoluzione dei problemi</b> .....	19
<b>Sostituzione della lampadina</b> .....	20
<b>Rumori durante il funzionamento</b> .....	21
<b>Normative</b> .....	21
<b>Smaltimento dell'apparecchio</b> .....	21



Questo apparecchio è conforme alle seguenti Direttive Comunitarie: 2006/95/CE, 2004/108/CE, 2009/125/CE, EC.643/2009 e 2002/96/EC.



### **Informazioni e avvertenze sulla sicurezza**

Per la vostra sicurezza e l'uso corretto prima dell'installazione e del primo utilizzo, leggere attentamente il presente manuale, inclusi i suggerimenti e avvertenze. Per evitare errori e incidenti, è importante garantire che tutte le persone che utilizzano l'apparecchio ne conoscano il funzionamento e le caratteristiche di sicurezza. Conservare le seguenti istruzioni ed assicurarsi che rimangano con l'apparecchio in caso di trasporto o di vendita, in modo che chiunque lo utilizzi per tutta la sua vita sia adeguatamente informato sull'uso corretto e sulla sicurezza dell'apparecchio. Ai fini della sicurezza delle persone e delle proprietà, osservare le precauzioni indicate nelle istruzioni: il costruttore non può essere considerato responsabile per eventuali danni causati da omissioni.

## **Sicurezza per i bambini e per le persone vulnerabili**

Questo apparecchio può essere usato da bambini dagli 8 anni in su e persone con ridotte capacità fisiche, sensoriali o mentali o senza esperienza e conoscenza del prodotto se supervisionate o dando loro istruzioni riguardo al funzionamento dell'apparecchio in maniera sicura e cosciente del rischio possibile.

La pulizia e la manutenzione non devono essere eseguiti da bambini senza supervisione.

Tenere tutti gli elementi dell'imballo fuori dalla portata dei bambini per evitare il rischio di soffocamento.

In caso di smaltimento dell'apparecchio, staccare la spina dalla presa di corrente, tagliare il cavo di connessione (il più vicino possibile all'apparecchio) e rimuovere la porta per evitare che i bambini possano ricevere una scossa elettrica o rimangano bloccati all'interno.

Se questo apparecchio con chiusure magnetiche della porta sostituisce un apparecchio precedente con chiusura a molla sulla porta o sul coperchio, accertarsi di rendere inutilizzabile tale chiusura a molla prima di smaltire. Ciò evita una trappola mortale per bambini.

## **Indicazioni sulla Sicurezza Generale**

Avvertenza - Quest'apparecchio è destinato ad uso domestico e quelli simili come:

- Aree adibite a cucina per il personale in negozi, uffici e altri ambienti di lavoro;
- Fattorie, da parte di clienti in hotel, motel e altri ambienti di tipo residenziale;
- Ambienti di tipo B&B
- Tipo di ristorazione e commercio al dettaglio e simile.

Avvertenza - Non conservare le sostanze esplosive come fiale di aerosol con i propellenti infiammabili nell'apparecchio.

Avvertenza – Se il cavo di alimentazione è danneggiato, procedere alla sua sostituzione contattando il produttore, il rappresentante locale o personale qualificato al fine di evitare ogni rischio della sicurezza.

Avvertenza - Non coprire le aperture di aerazione e la ritiene fuori di ostruzione.

Avvertenza - Si raccomanda di non usare dispositivi meccanici o altri mezzi per accelerare il processo di sbrinamento, diversi da quelli raccomandati dal produttore.

Avvertenza - Non danneggiare il circuito refrigerante.



Avvertenza - Non accendere apparecchi elettrici all'interno dei compartimenti degli alimenti, a meno che ciò non sia raccomandato dal produttore.

Avvertenza – Il refrigerante e gas isolato sono infiammabili. Quando si smaltisce l'apparecchio, farlo solo in centro di smaltimento dei rifiuti autorizzati. Non esporla a fiamme.

Avvertenza – Per evitare ogni rischio causato dall'instabilità dell'apparecchio, esso deve essere riparato secondo le istruzioni.

### **Frigorifero**

Il frigorifero contiene una piccola quantità di refrigerante isobutene (R600a) nel circuito refrigerante, che è un gas naturale con alta compatibilità ambientale ma infiammabile. Assicurare che ciascuno dei componenti non viene danneggiato durante il trasporto o l'installazione.

Il refrigerante (R600a) è infiammabile.



**Attenzione:  
rischio di incendio**

In caso che il circuito refrigerante venga danneggiato:

- Evitare fiamme libere o scintilla.
- Aerare la stanza in cui si trova l'apparecchio.

È pericoloso alterare le caratteristiche o modificare il prodotto in altro modo. Qualsiasi danneggiamento su cavo potrebbe causare cortocircuito, incendio e/o scossa elettrica.



### **Sicurezza elettrica**

1. Il cavo di alimentazione non deve essere allungato.
2. Accertarsi che la spina di alimentazione non è schiacciata o danneggiata. Una spina schiacciata o danneggiata potrebbe surriscaldarsi e provocare un incendio.
3. Accertarsi di poter accedere alla spina dell'apparecchio.
4. Non tirare il cavo di alimentazione.
5. Se la presa di corrente è allentata, non inserire la spina di alimentazione. Potrebbe verificarsi una scossa elettrica o un incendio.
6. Non utilizzare l'apparecchio senza la protezione della lampadina per l'illuminazione interna.
7. L'apparecchio è predisposto per utilizzare AC monofase da 220-240V/50Hz. In caso di sbalzi di tensione in zona superando i parametri suddetti, accertarsi, per motivi di sicurezza, di applicare all'apparecchio un regolatore di tensione CA automatico superiore a 350W.

Il frigorifero deve essere alimentato con presa di alimentazione speciale, anziché condiviso con altri apparecchi elettrici. Questa presa deve essere provvista di messa a terra.

### **Uso quotidiano**

Non conservare gas o liquidi infiammabili all'interno dell'apparecchio per evitare il rischio di esplosioni.

Non accendere nessun dispositivo elettrico (macchine elettriche per il gelato, frullatori ecc.) all'interno dell'apparecchio.

Quando si scollega l'apparecchio dalla presa di corrente, afferrare sempre la spina e non tirare il cavo.

Non collocare oggetti caldi vicino alle parti plastiche dell'apparecchio.

Conservare i cibi congelati preconfezionati secondo le istruzioni del produttore.

È necessario rispettare le indicazioni di conservazione fornite dal costruttore dell'apparecchio. Fare riferimento alle relative istruzioni.

Non collocare bevande gassate nello scomparto congelatore: la pressione che si crea nel contenitore di tali prodotti potrebbe causarne l'esplosione, con conseguenti danni all'apparecchio.

cibi congelati possono causare ustione da freddo se consumati subito dopo essere stati estratti dall'apparecchio.

Non esporre l'apparecchio alla luce solare diretta.

Tenere candele, lampade e altri oggetti con fiamme libere fuori dell'apparecchio in modo che non impostare l'apparecchio in fiamme.

L'apparecchio è stato progettato per mantenere cibi e/o bevande normale uso domestico, come spiegato in questo libretto di istruzioni..

L'apparecchio è pesante. Prestare attenzione quando lo si muove.

Non rimuovere né toccare elementi dal compartimento freezer con le mani umide/bagnate, in quanto ciò potrebbe causare abrasioni cutanee o ustioni da gelo.

Mai stare sulla base, sui cassetti, sulle porte, ecc., oppure utilizzarli come supporto.

Gli alimenti congelati non devono essere ricongelati una volta scongelati.

Non consumare ghiaccioli o cubetti di ghiaccio direttamente dal freezer in quanto ciò può causare ustioni alla bocca e labbra. Per evitare oggetti che cadono e causino lesioni o danni all'apparecchio, non sovraccaricare i balconcini o mettere troppo cibo nei cassetti verdura.

Mai coprire o ostruire le lamelle di ventilazione sull'apparecchio.

### **Attenzione!**

#### **Pulizia e manutenzione**

Prima di eseguire le operazioni di manutenzione, spegnere l'apparecchio e scollegare la spina di alimentazione dalla presa di corrente.

Non pulire l'apparecchio con oggetti metallici, macchine per il lavaggio a vapore, oli essenziali, solventi organici o detergenti abrasivi.

Non utilizzare oggetti appuntiti per rimuovere il ghiaccio dall'apparecchio. Utilizzare un raschietto in plastica.

#### **Importante- Installazione!**

Per il collegamento elettrico, seguire con attenzione le istruzioni fornite nel presente manuale.

Disimballare l'apparecchio e controllare se sia danneggiato. Qualora sia danneggiato, non collegare l'apparecchio. Contattare immediatamente il negozio dove è stato effettuato l'acquisto. In questo caso, conservare tutti i materiali d'imballaggio.

E' consigliabile attendere almeno quattro ore prima di collegare l'apparecchio per consentire al liquido di fluire nel compressore.

Un'adeguata circolazione dell'aria dovrebbe essere intorno all'apparecchio, la mancanza porta a un surriscaldamento. Per ottenere una ventilazione sufficiente seguire le istruzioni relative all'installazione.

Se possibile, il retro del prodotto deve essere contro un muro per evitare le parti calde toccare o di afferrare (compressore, condensatore), per prevenire il rischio di incendio, seguire le istruzioni relative all'installazione.

L'apparecchio non deve essere collocato nelle vicinanze di termosifoni o cucine.

Assicurarsi che la spina sia accessibile dopo l'installazione dell'apparecchio.

## **Servizi**

Qualsiasi lavoro elettrico necessario per la manutenzione dell'apparecchio deve essere effettuato da personale qualificato o competente.

La riparazione di questo prodotto deve essere eseguita da un Centro Assistenza autorizzato, e solo ricambi originali deve essere utilizzati:

- 1) Se l'apparecchio è Frost Free.
- 2) Se l'apparecchio contiene compartimento freezer.

**In caso di malfunzionamento**

Se si verifica un malfunzionamento dell'apparecchio, consultare prima la sezione 'Risoluzione dei problemi' di queste istruzioni. Se le informazioni fornite non aiutano, si prega di non effettuare interventi di riparazione da soli.

Riparazioni effettuate da persone inesperte possono causare danni o gravi disfunzioni, contattare il Centro d'Assistenza.

**Rimuovere il materiale di imballaggio**

L'apparecchio e le finiture interne sono protette per il trasporto. Togliere il nastro adesivo sul lato destro e sinistro della porta. Rimuovere i nastri adesivi e le parti di imballaggio dall'interno dell'apparecchio.

## Installazione

Prima di installare, leggere attentamente le istruzioni. Se si desidera spostare il prodotto, tenerlo per i lati o dalla base. Non sollevarlo mai dalla parte superiore.

### Incasso

Dimensioni della nicchia

Altezza mm min 880

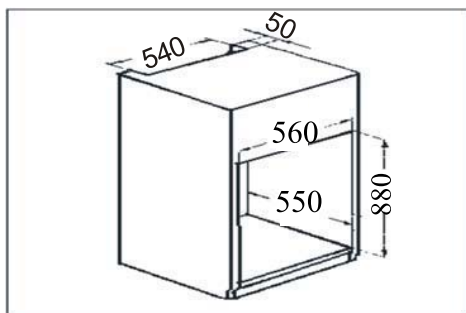
Profondità mm min 550

Larghezza mm min 560

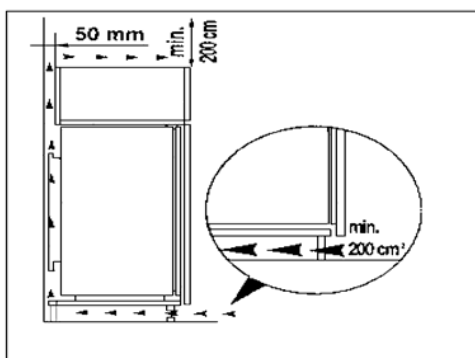
E' necessario che il prodotto abbia una nicchia per la ventilazione con le seguenti dimensioni :

Profondità 50mm

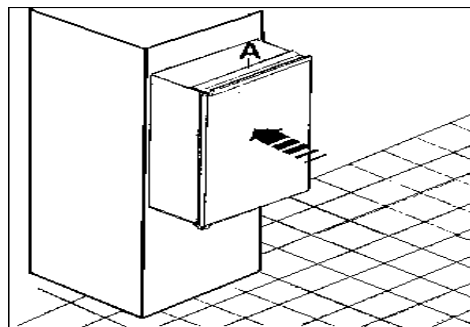
Larghezza 540 mm



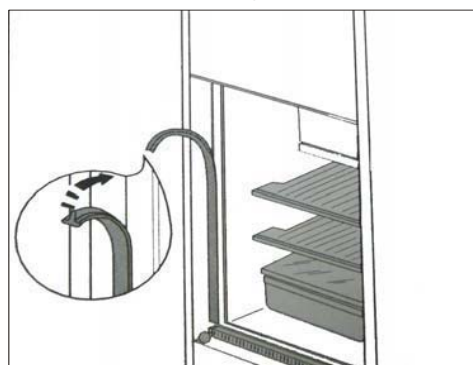
Per una corretta ventilazione seguire le istruzioni:



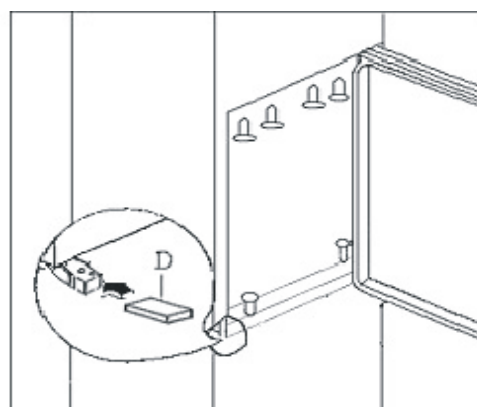
1. Spingere il prodotto nell'alloggio fino a che la linea di arresto(A) raggiunga il limite del mobile cucina.



2. Inserire le guarnizioni di gomma tra l'apparecchio e il mobile della cucina (solo sul lato senza cerniera)

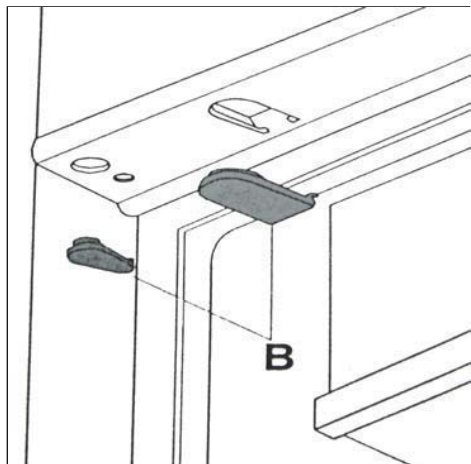


3. Inserire l'apparecchio nella colonna, accostandolo sul lato opposto alle cerniere. Fissare l'apparecchio con 6 viti fornite nel kit incluso nel prodotto. Spezzare il tappo nella posizione (D).

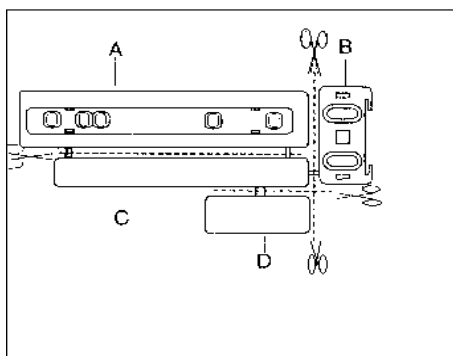




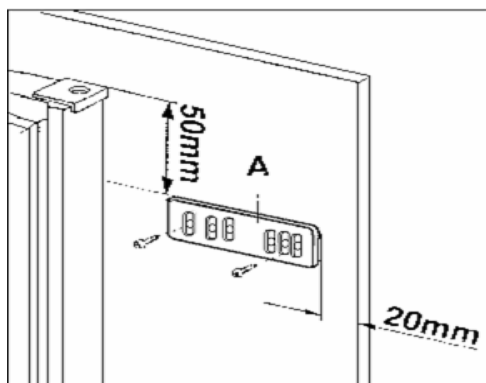
4. Applicare il tappo di chiusura (B) come indicato.



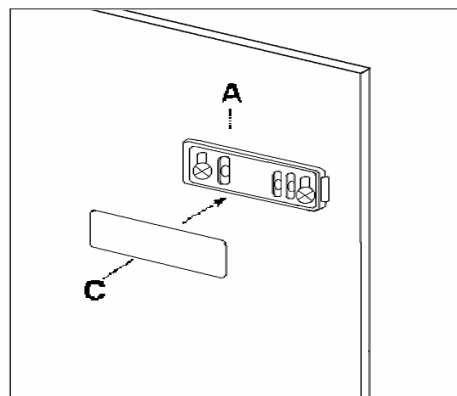
5. Separare le parti A,B,C,D come mostrato nella figura.



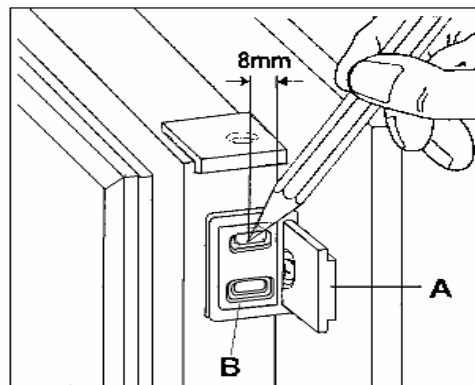
6. Fissare la slitta (A) nella parte interna della porta del mobile, e contrassegnare la posizione dei fori. Dopo aver effettuato i fori, fissare la slitta con le viti in dotazione.



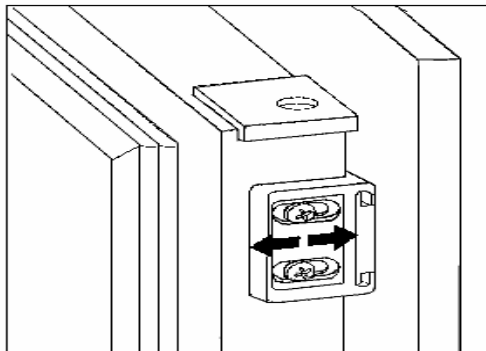
7. Fissare il coperchio (C) sulla slitta (A).



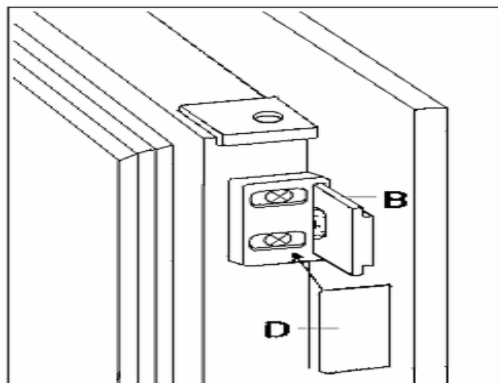
8. Aprire la porta del prodotto e del mobile a 90°. Inserire la squadretta (B) nella guida (A). Accoppiare la porta del prodotto e del mobile e contrassegnare i buchi come indicato in figura. Rimuovere le squadrette e forare con una punta da 2 mm a 8 mm dal bordo esterno della porta. Fissare di nuovo la squadretta sulla guida and fissarla con le viti fornite.



**9.** Qualora necessario, allineare la porta del mobile usando le guide sulla squadretta.  
Alla fine dell'operazione, è necessario controllare che la porta del mobile si chiuda correttamente.



**10.** Fissare il coperchio (D) sulla guida (B) .



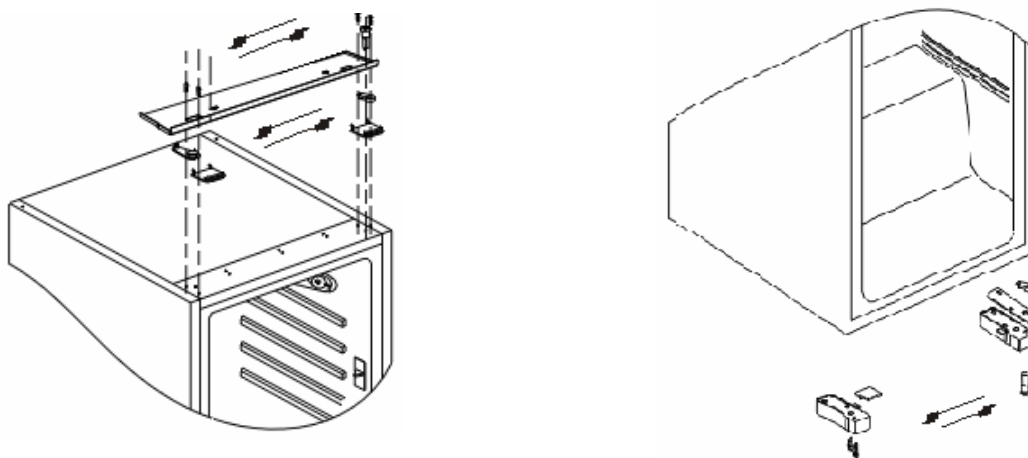
## INVERSIONE DEL SENSO DI APERTURA DELLE PORTE

Inclinare leggermente il prodotto. Svitare le viti della cerniera e rimuovere il perno della traversa.

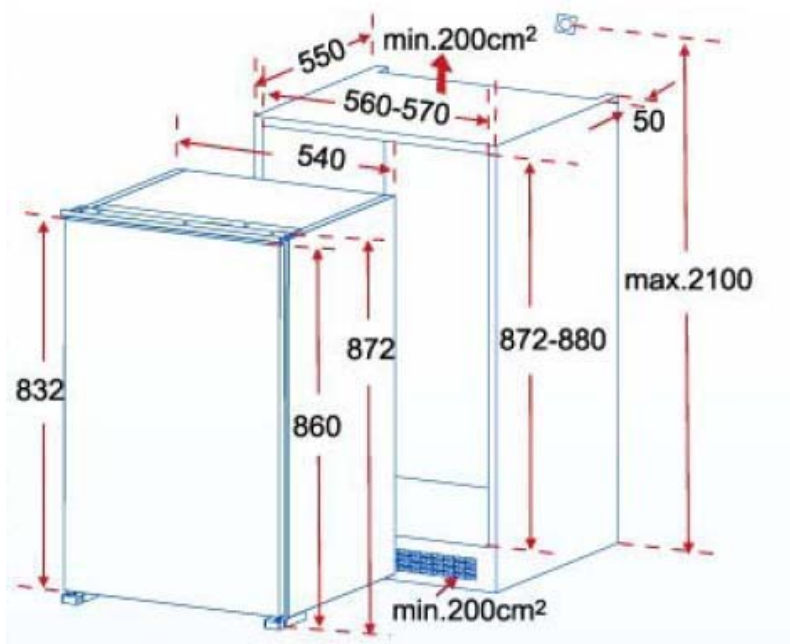
Rimuovere il perno inferiore con una chiave svitando il dado e riavvitare sul lato opposto. Riavvitare poi il perno superiore.

### Attenzione!

Durante l'operazione di reversibilità della porta, il prodotto non deve essere collegato alla presa di corrente.



## DIMENSIONI DEL PRODOTTO E DEL VANO DA INCASSO



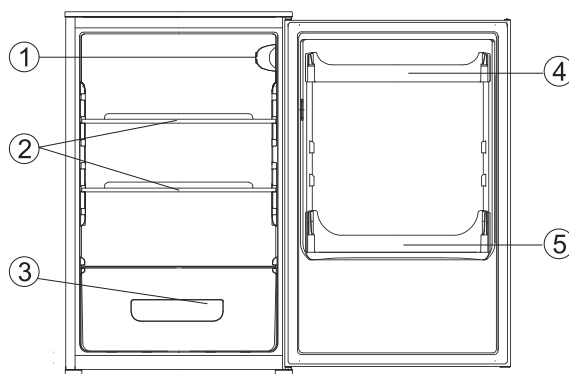
## Posizionamento

Posizionare l'apparecchio lontano da fonti di calore, come stufe, termosifoni, luce diretta del sole, ecc. Le massime prestazioni e sicurezza sono garantite dal mantenimento di una giusta temperatura interna a seconda della classe interessata, come specificato sulla targhetta.

Classi climatiche	Temperatura Ambiente
SN	10~32°C
N	16~32°C
ST	16~38°C
T	16~43°C

L'apparecchio non deve essere esposto alla pioggia. Deve essere garantita una buona circolazione d'aria nella parte posteriore del prodotto.

## Descrizione dell'apparecchio



1. Regolatore Temperatura
2. Ripiani
3. Cassetti frutta e verdura
4. Comparto burro/formaggio e uova
5. Portabottiglie

### Avvio e regolazione temperatura

Inserire il cavo di collegamento nella presa. Quando la porta della cella frigorifero è aperta, la luce interna si accende. Il selettore della temperatura si trova sul lato destro del vano frigorifero.

#### Impostazione '0' significa:

Off.

Ruotando la manopola in senso orario si accende.

#### Impostazione '1' significa:

Temperatura più calda

#### Impostazione '7' significa:

Temperatura più fredda



## Accessori interni

### Ripiani

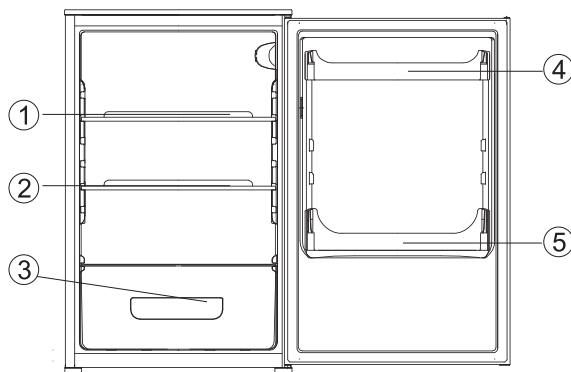
I ripiani in vetro sono all'interno del prodotto.

L'altezza dei ripiani può essere regolata:

per fare ciò, tirare il ripiano in avanti fino a che può essere facilmente sollevato e rimuoverlo.

Fare lo stesso in senso inverso per inserire il ripiano ad una differente altezza.

### Corretta conservazione



1. Carne, salumi o altri cibi freschi

2. Piatti pronti, pesce

3. Frutta e verdura

4. Conserve

5. Bevande

### Consigli:

Il cibo nel frigorifero deve essere sempre coperto o imballato per prevenirne la disidratazione.

I seguenti materiali sono adatti per la conservazione:

Sacchetti di polietilene a chiusura ermetica

Contenitori di plastica con coperchi

Carta Alluminio.

## Spegnimento dell'apparecchio

Per spegnere l'apparecchio, girare il regolatore della temperatura nella posizione '0'.

Se l'apparecchio non verrà usato per un periodo lungo:

Rimuovere tutti gli alimenti congelati dallo stesso.

Rimuovere la spina dalla presa di corrente.

Pulire accuratamente (vedere la sezione : Manutenzione e Pulizia)

Lasciare la porta aperta per evitare la formazione di cattivi odori.

## Manutenzione e Pulizia

Per motivi igienici l'interno dell'apparecchio, compresi gli accessori interni, devono essere puliti regolarmente.

### Attenzione!

L'apparecchio non deve essere collegato alla rete durante la pulizia. Pericolo di scosse elettriche! Prima di pulire spegnere l'apparecchio e togliere la spina dalla presa di corrente.

Non pulire l'apparecchio con un pulitore a vapore. L'umidità potrebbe accumularsi nei componenti elettrici, con il rischio di possibili scosse elettriche! Getti di vapore caldo possono procurare alle parti in plastica.

L'apparecchio deve essere asciutto prima di essere rimesso in funzione.

Oli essenziali e solventi organici possono danneggiare le parti in plastica, ad esempio, succo di limone o il succo della buccia d'arancia, acido butirrico, detersivi che contengono acido acetico.

Non permettere che tali sostanze vengano a contatto con le parti dell'apparecchio. Non utilizzare alcun detergente abrasivo.

Togliere gli alimenti dal frigorifero. Riporli in un luogo fresco, ben coperto.

Pulire l'apparecchio e gli accessori interni con un panno e acqua tiepida.

Dopo la pulizia pulire con acqua fresca e strofinare a secco.

L'accumulo di polvere sul condensatore aumenta il consumo di energia.

Per questo motivo, pulire accuratamente il condensatore sul retro dell'apparecchio una volta l'anno con una spazzola morbida o un aspirapolvere.

Pulire il foro di drenaggio con l'aiuto del piolo verde nel pacchetto accessori incluso con l'apparecchio.

## Suggerimenti per il risparmio energetico

Non installare l'apparecchio vicino a fornelli, termosifoni o altre fonti di calore.

Garantire un'adeguata circolazione dell'aria alla base dell'apparecchio e alla parte posteriore dell'apparecchio. Non coprire le aperture della ventilazione. Non collocare gli alimenti caldi all'interno dell'apparecchio. Lasciare la porta aperta solo il tempo necessario. Mantenere sempre pulito il condensatore situato nella parete posteriore del vostro apparecchio.

## Risoluzione dei problemi

### Anomalie

Può accadere che l'apparecchio non funzioni. Prima di contattare il Servizio di Assistenza, controllare che non si tratti di un problema facilmente risolvibile aiutandosi con il seguente elenco:

Anomalie	Possibili Cause	Soluzione
L'apparecchio non funziona	L'apparecchio non è acceso	Accendere l'apparecchio.
	Il cavo non è inserito nella presa di corrente.	Inserire il cavo
	Il fusibile è bruciato o difettoso.	Se necessario, sostituirlo
L'apparecchio è troppo freddo.	Il termostato è impostato ad una temperatura troppo fredda	Regolare il termostato ad una temperatura più calda

Il cibo è troppo caldo	La temperatura non è regolata correttamente	Par. 'Avvio e regolazione della temperatura'
	E' stata aperta troppo spesso la porta	Aprire la porta solo per il tempo necessario
	Un grande quantità di cibo caldo è stato inserito nelle ultime 24 ore	Regolare il termostato ad una temperatura più fredda
	L'apparecchio è vicino ad una fonte di calore	Par. ' Installazione e posizionamento'
La luce interna non funziona	La lampadina è guasta.	Par. 'Sostituzione della lampadina'
L'apparecchio emette molti rumori	L'apparecchio non è stato installato bene	Regolare i piedini
	L'apparecchio è stato installato tra mobili o oggetti che vibrano ed emettono rumori	Spostare leggermente l'apparecchio
	Un componente sul retro dell'apparecchio tocca un'altra parte o un muro	Se è necessario, spostare leggermente il componente che sporge
Acqua in cella	Il foro di drenaggio è ostruito	Par. 'Mantenimento e Pulizia'

## Sostituzione della lampadina

### Attenzione!

Prima di cambiare la lampadina, spegnere l'apparecchio e staccare la spina.

Dati lampadina: 220-240 V, max. 15 W

Per spegnere l'apparecchio, impostare il regolatore della temperatura sulla posizione "0".

Staccare la spina.

Per cambiare la lampadina, svitare la vite.

Premere la coperchio della lampadina e farlo scorrere indietro.

Cambiare la lampadina difettosa.

Rimontare il coperchio della lampadina e la vite.

Mettere il frigo in funzione.

## Rumori durante il funzionamento

I seguenti rumori sono normali:

### Scatti

Ogni volta che il compressore parte o si arresta.

### Ronzii

Quando il compressore è in funzione , è possibile sentire ronzii.

### Gorgoglii

Il gas refrigerante interno può produrre gorgoglii.

## Normative

Questo apparecchio è conforme alle seguenti direttive Comunitarie:

-2006/95/EC sul basso voltaggio

-2004/108/EC Direttiva EMC

## Smaltimento dell'apparecchio

E' proibito smaltire questo apparecchio nel normale flusso dei rifiuti solidi urbani.

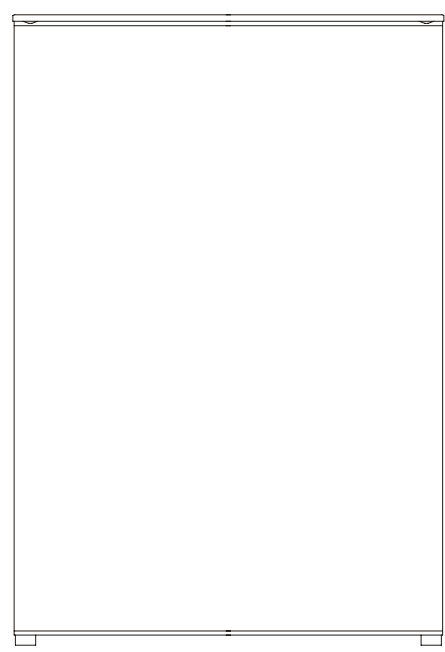
Gli apparecchi dismessi devono essere raccolti separatamente per ottimizzare il tasso di recupero e riciclaggio dei materiali che li compongono ed impedire potenziali danni per la salute e l'ambiente. Il simbolo del cestino barrato è riportato su tutti i prodotti per ricordare gli obblighi di raccolta separata.





# **CANDY**

## **BEDIENUNGSANLEITUNG**



Sehr geehrter Kunde,

Bitte lesen Sie diese Bedienungsanleitung vor der ersten Benutzung aufmerksam durch. Diese beinhaltet wichtige Informationen für den sicheren Gebrauch, die Installation und die Pflege des Gerätes.

Bitte bewahren Sie die Anleitung auch für zukünftig auftretende Fragen auf und geben sie gegebenenfalls an den nächsten Besitzer des Gerätes weiter.

Anmerkungen, die zu Ihrer Sicherheit oder für das korrekte Arbeiten des Gerätes wichtig sind, werden mit Signalwörtern (**Warnung!Achtung!Wichtig!**) hervorgehoben.

Die Bedienungsanleitung beinhaltet im Abschnitt Störungssuche Instruktionen bei möglichen Störungen. Wenn diese Anweisungen nicht genügen, um den Fehler zu beheben, setzen Sie sich bitte mit dem Kundendienst in Verbindung.

# INHALT

SICHERHEITS-UND WARNHINWEISE .....	2
INSTALLATION .....	12
WECHSEL DES TÜRANSCHLAGS.....	15
POSITIONIERUNG .....	16
GERÄTEBESCHREIBUNG .....	16
TEMPERATUREINSTELLUNG .....	17
INNENAUSSTATTUNG .....	17
REINIGUNG UND PFLEGE.....	18
PROBLEMLÖSUNGEN.....	19
AUSWECHSELN DER GLÜHLAMPE.....	21
GERÄUSCHE .....	21
ENTSORGUNG .....	21

## WICHTIGE SICHERHEITSHINWEISE


Diese Warnungen dienen Ihrer Sicherheit. Bitte stellen Sie vor der Installation oder der ersten Benutzung des Gerätes sicher, dass Sie diese komplett verstanden haben.

### Gebrauch

Das Gerät ist für den Haushaltsgebrauch konzipiert und dient der Aufbewahrung von Lebensmitteln. Sollte das Gerät anders oder zweckentfremdet verwendet werden, so kann durch den Hersteller für mögliche, entstehende Schäden keine Haftung übernommen werden.

Änderungen am Gerät oder den mitgelieferten Komponenten sind aus Sicherheitsgründen nicht erlaubt.

**Dieses Elektrohaushaltsgerät ist entsprechend der EU-Richtlinie 2002/96/CE über Elektro- und Elektronik-Altgeräte (WEEE) gekennzeichnet.**

 Dieses Gerät ist in Übereinstimmung mit den folgenden EU Richtlinien: 2006/95/EC und 2004/108/EC und 2009/125/EC und EC.643/2009 und 2002/96/EC



## Sicherheits- und Warnhinweise

Für Ihre Sicherheit und die korrekte Nutzung, lesen Sie vor der Installation und Benutzung des Geräts aufmerksam diese Gebrauchsanweisung mit den Hinweisen und Warnungen.

Um unnötige Fehler und Unfälle zu vermeiden, ist es wichtig sicherzustellen, dass alle Personen, die das Gerät nutzen, mit der Bedienung und den Sicherheitsvorkehrungen vertraut sind. Verwahren Sie diese Anleitung und gehen Sie sicher, dass sie immer bei dem Gerät ist, falls es verstellt oder verkauft wird, sodass jeder, der es benutzt, sich während der ganzen Nutzungsdauer des Geräts über die korrekte Benutzung und die Sicherheitsvorkehrungen informieren kann.

Für die Sicherheit von Leben und Eigentum, halten Sie sich an die Vorsichtsmaßnahmen dieser Anleitung, da der Hersteller nicht für Schäden, die durch Unterlassung dieser entstehen, haftet.

### **Sicherheit für Kinder und andere verwundbare Personen**

Dieses Gerät kann von Kindern ab 8 Jahren und Personen mit eingeschränkten physischen, sensorischen oder geistigen Fähigkeiten oder mangels Erfahrung und Wissens benutzt werden, wenn eine angemessene Aufsicht oder ausführliche Anleitung zur sicheren

Benutzung des Geräts und die Gefahren deutlich zu verstehen gegeben wurden.

Kinder sollten nicht mit dem Gerät spielen. Reinigung und Wartung sollten nicht von Kindern ohne Aufsicht durchgeführt werden. Halten Sie Kinder von allen Verpackungen fern, da Erstickungsgefahr besteht.

Wenn Sie das Gerät entsorgen, ziehen Sie den Stecker aus der Steckdose, trennen Sie das Anschlusskabel (so nah am Gerät, wie möglich) und entfernen Sie die Tür, um zu vermeiden, dass Kinder beim Spielen einen elektrischen Schlag erleiden, oder sich selbst in dem Gerät einsperren.

Wenn dieses Gerät, mit Magnettürdichtung, ein anderes oder älteres Gerät mit einem Schnappverschluss an der Tür ersetzen soll, stellen Sie sicher, dass Sie das Schnappschloss unbrauchbar gemacht haben, bevor Sie das Altgerät entsorgen. Das wird verhindern es zu einer Todesfalle für ein Kind zu machen.

## **Allgemeine Sicherheit**

- WARNUNG** - Dieses Gerät soll in Haushalten oder Ähnlichen Anwendungen benutzt werden, wie:
  - Küchenbereiche in Geschäften, Büros und anderen Arbeitsumgebungen;
  - Hotels, Motels und andere Wohntyp-Umgebungen;
  - Catering und andere Einzelhandelsumgebungen
- WARNUNG** - Lagern Sie keine explosiven Substanzen, wie Sprühdosen mit brennbarem Treibmittel in dem Gerät.

- WARNUNG** - wenn das Versorgungskabel beschädigt ist, muss es vom Hersteller, seinem Kundendienst oder ähnlich qualifizierten Personen ersetzt werden, um Gefahren zu vermeiden.
- WARNUNG** - Lassen Sie Belüftungsöffnungen in der Geräteverkleidung oder in der integrierten Struktur frei
- WARNUNG** - Benutzen Sie keine mechanischen Vorrichtungen oder andere Mittel, um den Abtauvorgang, anders als vom Hersteller empfohlen, zu beschleunigen.
- WARNUNG** - Beschädigen Sie nicht den Kältemittelkreislauf
- WARNUNG** - Benutzen Sie keine elektronischen Geräte innerhalb des Lebensmittellagerraums, sofern Sie nicht vom Hersteller empfohlen sind.
- WARNUNG** - Das Kältemittel und Isolationstreibgas sind brennbar. Wenn Sie das Gerät entsorgen wollen, tun Sie dies nur bei einem zugelassenen Entsorgungszentrum. Nicht mit offenen Flammen in Berührung bringen.
- WARNUNG** - Um Gefahren auf Grund der Instabilität des Geräts zu vermeiden, müssen Fehler, in Übereinstimmung mit den Anweisungen behoben werden.

## **Kältemittel**

Das Kältemittel, Isobutan (R600a) ist ein im Kältekreislauf des Gerätes enthaltenes Gas, welches ein hohes Maß an Umweltverträglichkeit hat, aber dennoch brennbar ist. Stellen Sie während des Transportes und der Installation

des Geräts sicher, dass keine der Komponenten des Kältemittelkreises beschädigt wird. Das Kältemittel (R600a) ist brennbar.



### **Achtung: Branntgefahr**

Wenn der Kühlkreislauf beschädigt wurde:

- Vermeiden Sie offene Flammen und Zündquellen
- Durchlüften Sie den Raum gut, indem das Gerät steht. Es ist in jeder Weise gefährlich die Eigenschaften dieses Gerätes zu ändern.

Jeder Schaden am Netzkabel kann einen Kurzschluss, Feuer, und/oder einen elektrischen Schock verursachen.

### **Elektrische Sicherheit**

1. Das Netzkabel darf nicht verlängert werden.
2. Stellen Sie sicher, dass der Netzstecker nicht eingequetscht ist oder beschädigt werden kann. Ein beschädigter Netzstecker kann überhitzen und Feuer fangen.
3. Stellen Sie sicher, dass Sie immer auf den Netzstecker des Geräts zugreifen können
4. Nicht am Hauptkabel ziehen
5. Stecken Sie den Netzstecker nicht in eine lockere Steckdose. Risiko von elektrischem Schock und Feuer.
6. Sie dürfen das Gerät nicht ohne Lampenabdeckung der Innenbeleuchtung in Betrieb nehmen.

7. Der Kühlschrank ist nur für einphasige Wechselspannungen von 220-240V/50Hz. ausgelegt. Wenn die Fluktuation der Spannung in der Umgebung des Benutzers so hoch ist, dass die Spannung den obersten Umfang überschreitet, gehen Sie sicher, dass Sie einen automatischen Spannungsregulator für mehr als 350W für den Kühlschrank verwenden. Für den Kühlschrank wird eine spezielle Steckdose, statt einer üblichen die mit anderen elektrischen Geräten verbunden ist benötigt. Der Stecker muss einer Steckdose mit Schutzleiter entsprechen.

## **Täglicher Gebrauch**

Lagern Sie keine brennbaren Gase oder Flüssigkeiten in dem Gerät, dies erhöht das Risiko einer Explosion.

Betreiben Sie keine elektrischen Geräte in dem Gerät (z.B. elektrische Eismaschinen etc.).

Wenn Sie den Netzstecker aus der Steckdose ziehen wollen, ziehen Sie niemals am Kabel.

Platzieren Sie keine heißen Gegenstände in der Nähe der Kunststoffteile des Geräts.

Platzieren Sie keine Lebensmittel direkt an den Luftauslass auf der Rückwand.

Lagern Sie abgepackte Tiefkühlkost entsprechend den Herstellerangaben für Gefriergut.

Lagerempfehlungen des Herstellers sollten strikt eingehalten werden. Greifen Sie auf die entsprechende



Lagerempfehlung zurück.

Stellen Sie keine kohlenensäurehaltigen Getränke in den Gefrierraum, da der Druckanstieg in dem Behälter, diesen zum Explodieren bringen kann und das eine Beschädigung des Geräts nach sich ziehen kann.

Gefriergut kann Erfrierungen verursachen, wenn es direkt aus dem Gefrierfach verwendet wird.

Platzieren Sie das Gerät nicht in direkter Sonneneinstrahlung.

Halten Sie brennende Kerzen, Lampen und andere Gegenstände mit offenem Feuer fern von dem Gerät, damit es kein Feuer fangen kann.

Das Gerät ist, wie in der Anleitung beschrieben, zum Aufbewahren und Kühlen von Nahrungsmitteln und/oder Getränken im normalen Haushalt bestimmt. Das Gerät ist schwer. Seien Sie vorsichtig, wenn Sie es bewegen. Entfernen oder berühren Sie keine Gegenstände aus dem Gefrierfach, wenn Ihre Hände feucht oder nass sind, da dies zu Hautverletzungen oder Kälte-/Gefrierverbrennungen führen kann.

Verwenden Sie niemals den Sockel, Auszüge oder die Türe als Ständer oder Standhilfe.

Gefriergut darf nach dem Auftauen nicht wieder eingefroren werden.

Lagern Sie keine Getränke in Dosen oder Flaschen (insbesondere mit Kohlensäure) in dem Gefrierfach, da diese explodieren können.

Konsumieren Sie kein Eis am Stiel oder Eiswürfel, die direkt aus der Tiefkühltruhe kommen, da diese Gefrierbrand im Mund und an der Lippe auslösen können.

Um Gegenstände vom Fallen abzuhalten und Beschädigungen am Gerät zu vermeiden, überladen Sie nicht die Türfächer oder Schubladen.

Blockieren Sie nie die Lüftungslamellen im Gerät.

## **Vorsicht!**

### **Pflege und Reinigung**

Vor der Wartung, schalten Sie das Gerät aus und trennen Sie den Netzstecker aus der Steckdose. Reinigen Sie das Gerät nicht mit Metallgegenständen, Dampfreinigern, ätherischen Ölen, organischen Lösungsmitteln oder Scheuermittel.

Verwenden Sie keine scharfen Gegenstände, um Frost zu entfernen. Verwenden Sie einen Plastikschaaber.

### **Installation Wichtig!**

Für den elektrischen Anschluss befolgen Sie strikt die Anweisungen in diesem Handbuch.

Überprüfen Sie beim Auspacken des Geräts, ob es kaputt ist. Melden Sie mögliche Schäden direkt dort, wo Sie das Gerät erworben haben. In diesem Fall verwahren Sie die Verpackung. Es ist ratsam, mindestens 4 Stunden mit dem Anschließen des Geräts zu warten, damit das Öl in den Kompressor zurückfließt. Es sollte eine ausreichende

Luftzirkulation um das Gerät sein, wenn dies fehlt, kommt es zur Überhitzung. Um eine ausreichende Belüftung zu erreichen, folgen Sie den Anweisungen zur Installation. Die Rückseite des Produkts sollte möglichst an einer Wand sein, um zu vermeiden heiße Teile (Kompressor, Verflüssiger) zu berühren, um Brandgefahr zu vermeiden. Folgen Sie dazu den Anweisungen zur Installation. Das Gerät darf nicht in der Nähe von Herdplatten oder Heizungen angeordnet werden.

Stellen Sie sicher, dass der Netzstecker nach der Installation frei zugänglich ist.

## **Service**

Jegliche elektronische Arbeiten, für die Wartung des Geräts, sollten von Elektro-Fachkräften oder ähnlich kompetenten Personen durchgeführt werden.

Dieses Produkt muss von einem autorisierten Kundendienst gewartet werden und es dürfen nur Original Ersatzteile verwendet werden:

- 1) wenn das Produkt frostfrei ist
- 2) wenn das Produkt ein Gefrierfach enthält

**Fehlfunktionen**

Liegt eine Fehlfunktion des Gerätes vor, beachten Sie bitte zunächst den Abschnitt Problemlösungen dieser Bedienungsanleitung.

Helfen Ihnen die Anweisungen, die dort gegeben werden, nicht weiter, so führen Sie keine weiteren Reparaturen selbst durch.

Unter keinen Umständen sollten Sie versuchen das Gerät selbst zu reparieren. Reparaturen durch unerfahrene Personen können Verletzungen und weitere Folgeschäden verursachen. Setzen Sie sich dann bitte mit dem Kundendienst in Verbindung.

**Beseitigen der Transportverpackungen**

Das Gerät und die Innenausstattung werden für den Transport geschützt. Bitte entfernen Sie die Klebestreifen am Geräteäußeren komplett. Sie können mögliche Reste des Klebers mit milder Seifenlauge und lauwarmen Wasser entfernen. Entfernen Sie dann alle Klebestreifen- und Verpackungsstücke aus dem Innenraum des Gerätes.

## INSTALLATION

### Aufstellort

**Warnung:** um mögliche Gefahren zu vermeiden, montieren Sie das Gerät bitte unbedingt entsprechend dieser Anweisungen.

### Einbau

#### Maße der Aussparung

Höhe mm 880

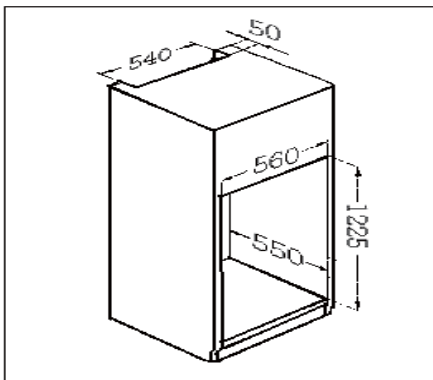
Tiefe mm 550

Breite mm 560

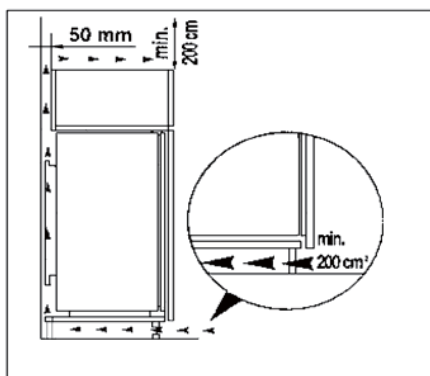
Es ist notwendig, dass eine Ventilationsaussparung mit den folgenden Maßen existiert:

Tiefe 50mm

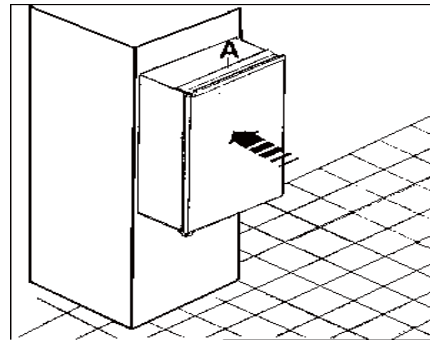
Breite 540 mm



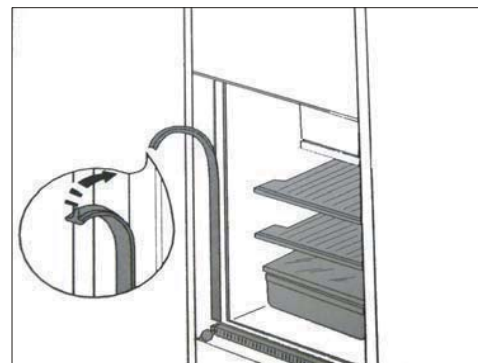
Für die bestmögliche Belüftung des Gerätes, bauen Sie es bitte entsprechend der Abbildung ein.



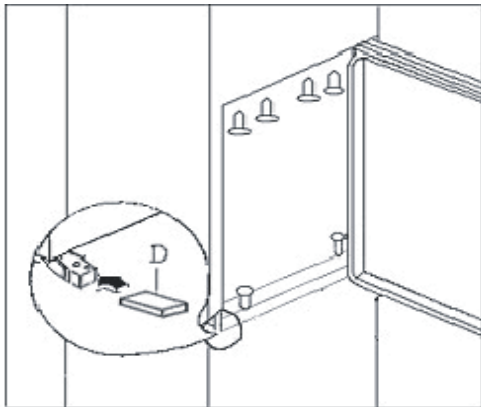
1. Drücken Sie das Gerät in die Nische, bis Endstreifen (A) das Gehäuse berührt.



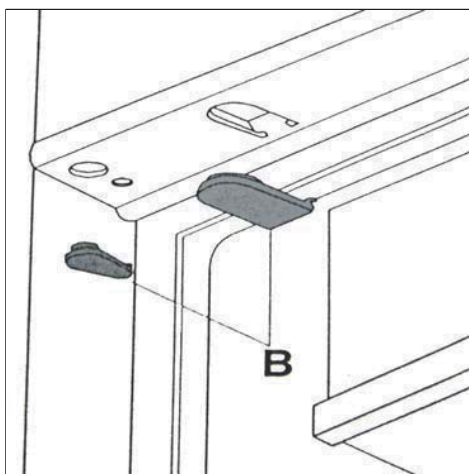
2. Drücken Sie die gemeinsamen Abdeckungen zwischen dem Gerät und den Küchenmöbeln ein (nur auf der Seite ohne Scharnier).



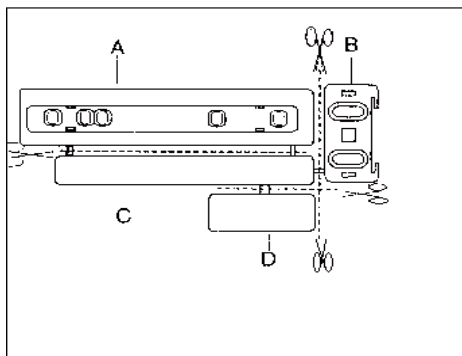
3. Bitte öffnen Sie die Tür. Drücken Sie das Gerät gegen die Seite der Küchenmöbel gegenüber dem der Gerätescharniere. Befestigen Sie das Gerät mit 6 Schrauben, die im Installationssatz enthalten sind und dem Gerät beigelegt sind. Bringen Sie die Scharnierabdeckung (D) in Position.



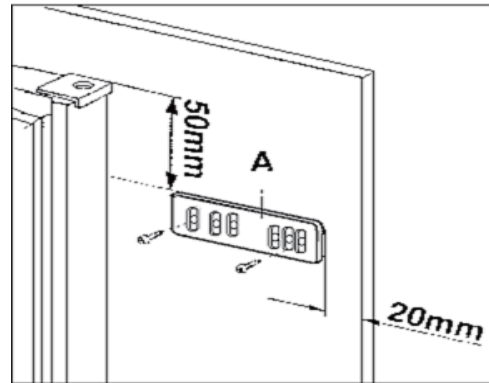
4. Montieren Sie die Verschlusskappen (B) wie angezeigt.



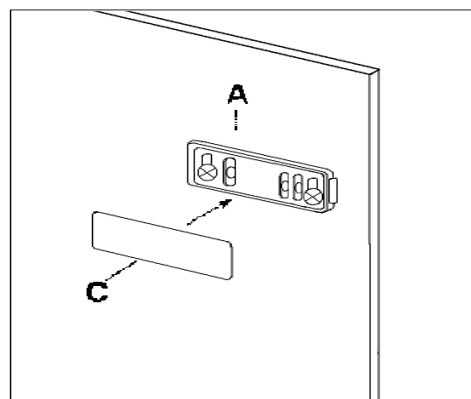
5. Separieren Sie die Teile A, B, C, D, wie in der Abbildung gezeigt.



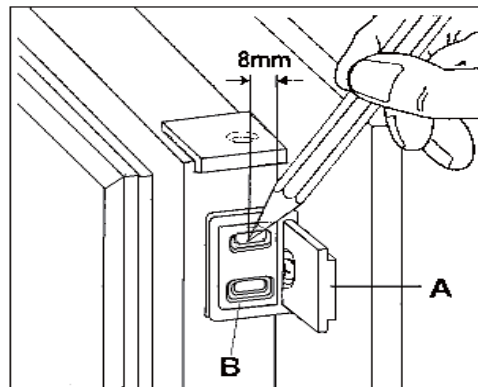
6. Setzen Sie die Führung (A) auf das seitliche Teil der Möbeltür, wie in der Abbildung gezeigt und markieren Sie die Position der Löcher. Löcher anschließend entsprechend der Markierungen bohren und die Führung mit den gelieferten Schrauben fixieren.



7. Fixieren Sie die Verschlusskappe (C) auf der Führung (A) bis diese fest sitzt.

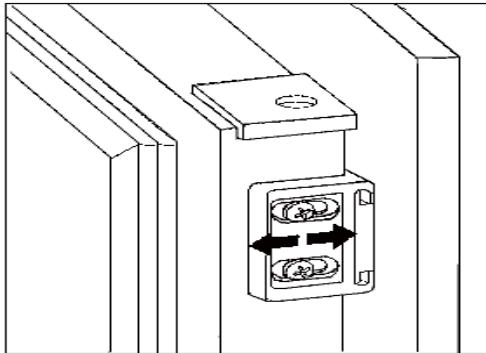


8. Öffnen Sie die Gerätetür um 90°. Setzen Sie das Plättchen (B) in die Führung (A) ein. Drücken Sie die Gerätetür und die Möbeltür zusammen und markieren Sie die Löcher des Plättchens. Entfernen Sie das Plättchen und bohren Sie die Löcher mit  $\phi 2$  mm in 8 mm Abstand vom äußeren Rand der Tür. Platzieren Sie das Plättchen erneut und fixieren Sie nun die Schrauben.

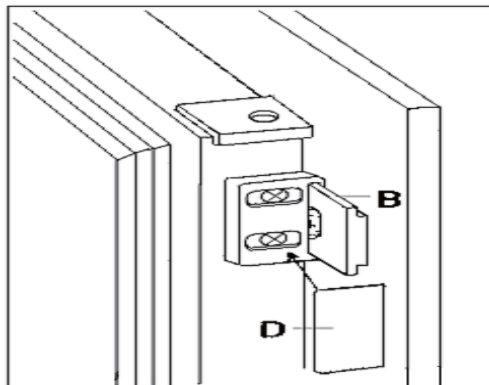


9. Wenn das Ausrichten der Möbeltür notwendig ist, verwenden Sie die Toleranz

der Schlitz (8mm). Am Ende der Installation, ist es notwendig, zu überprüfen, ob die Möbeltür richtig schließt.



**10.** Fixieren Sie die Abdeckung (D) auf dem Plättchen (B) bis diese fest sitzt.



## WECHSEL DES TÜRANSCHLAGS

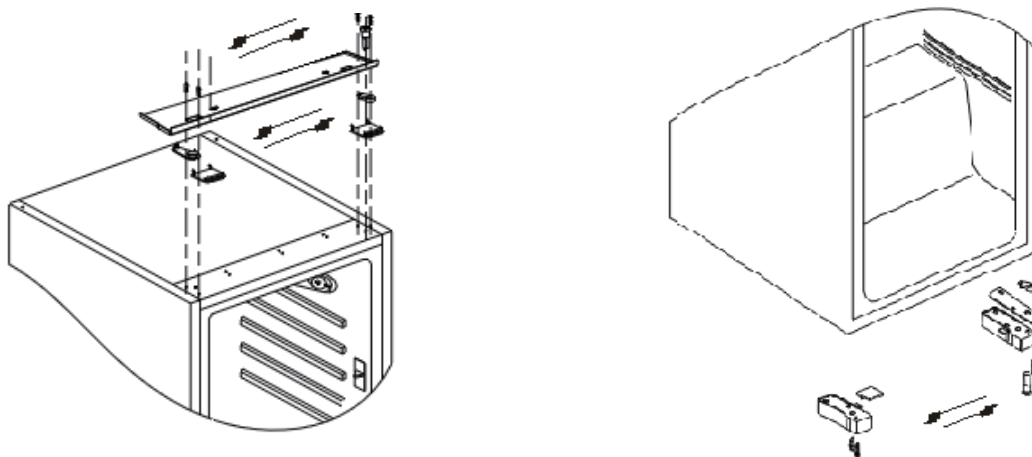
Der Türanschlag kann von der rechten Seite (werksseitige Lieferung) auf die linke Seite gewechselt werden.

### WARNUNG!

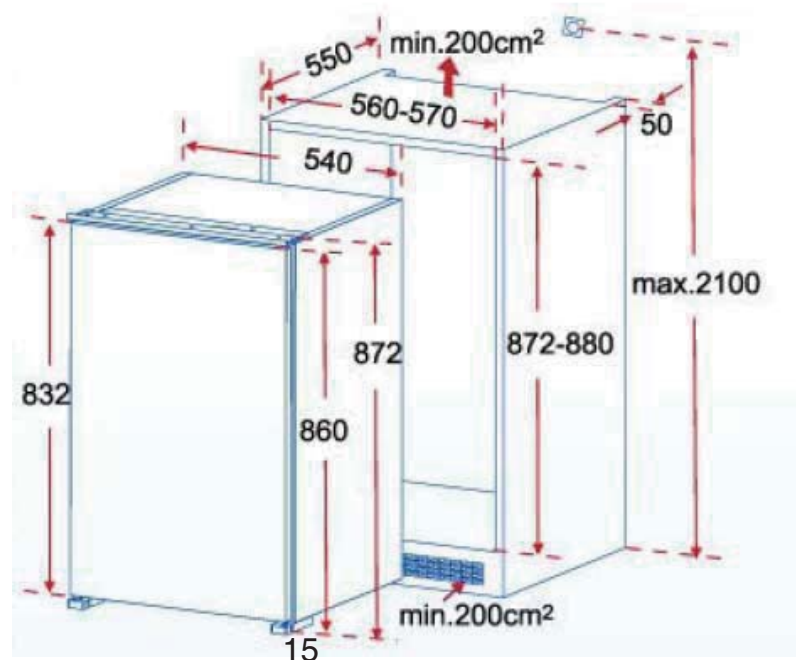
**Wenn ein Türanschlagswechsel vorgenommen wird, muss das Gerät vom Stromnetz getrennt werden. Ziehen Sie also vorher den Stecker.**

Kippen Sie das Gerät etwas nach hinten und stützen Sie es sicher ab. Schrauben Sie die Türscharnierschrauben ab und entfernen Sie den Scharnierstifthaltewinkel. Öffnen Sie die Tür und nehmen Sie diese abwärts heraus.

Schrauben Sie den oberen Stift ab und schrauben Sie ihn entsprechend auf der gegenüberliegenden Seite an. Passen Sie die Tür in den oberen Stift ein. Schrauben Sie den Scharnierstifthaltewinkel sicher auf der gegenüberliegenden Seite unter Verwendung der Schrauben fest.



## TECHNISCHE ZEICHNUNG





## POSITIONIERUNG

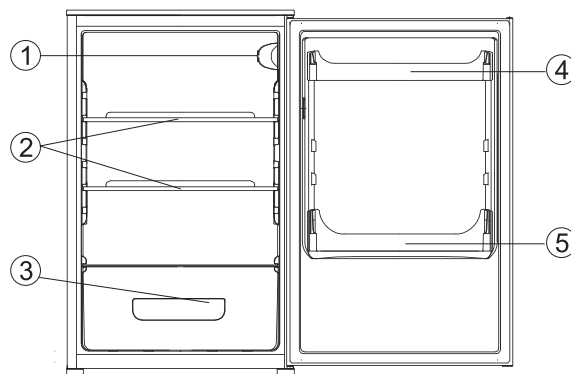
Stellen Sie das Gerät möglichst nicht in die Nähe von Wärmequellen (Boiler, Herd, Heizung oder direkter Sonneneinstrahlung) auf. Damit das Gerät korrekt funktionieren kann, muss die Umgebungstemperatur je nach Klimaklasse des Gerätes geeignet sein (s. Tabelle). Die Klimaklasse Ihres Gerätes ist auf dem Matrikelschild im Geräteinneren angegeben.

Klimaklasse	Umgebungstemperatur
SN	10~32°C
N	16~32°C
ST	16~38°C
T	16~43°C

Dieses Gerät arbeitet optimal bei Temperaturen im Bereich der Klimaklasse N bis ST.

Das Gerät darf auf keinen Fall Nässe oder Feuchtigkeit ausgesetzt werden. Die Zufuhr von genügend Luft im unteren hinteren Abschnitt des Gerätes muss unbedingt gewährleistet sein, da eine schlechte Luftzirkulation die Leistung des Gerätes beeinflussen kann. Eingebaute Geräte sollten fern von Wärmequellen wie Heizungen positioniert werden.

## GERÄTEBESCHREIBUNG



1. Temperaturregler
2. Ablageböden
3. Gemüsefach
4. Butter/Käse-Fach mit Klappe und Eierablage
5. Flaschenregal

## TEMPERATUREINSTELLUNG



Das Gerät muss gemäß den national geltenden Sicherheitsnormen an einer geerdeten Steckdose angeschlossen werden. Der Stecker ist zu diesem Zweck mit einem eigenen Erdleiter ausgestattet. Der Temperaturregler befindet sich auf der rechten Seite des Kühlteils.

**Stufe 0 bedeutet:** Aus.

Das Drehen des Knopfes im Uhrzeigersinn stellt das Gerät an.

**Stufe 1 bedeutet:** Höchste Temperatur, wärmste Einstellung

**Stufe 7 (bis zum Stop) bedeutet:** Niedrigste Temperatur, kälteste Einstellung

Bei niedriger Umgebungstemperatur um 16° sollte die Einstellung 1 gewählt werden. Bei höherer Umgebungstemperatur um 25° sollte Stufe 2 gewählt werden.

### WICHTIG!

Hohe Umgebungstemperaturen (z.B. an Sommertagen) und eine Einstellung der Temperatur auf Stufe 6 oder 7, können den Kompressor veranlassen kontinuierlich zu laufen, um eine kontinuierlich niedrige Temperatur im Innenraum des Gerätes zu halten.

## INNENAUSSTATTUNG

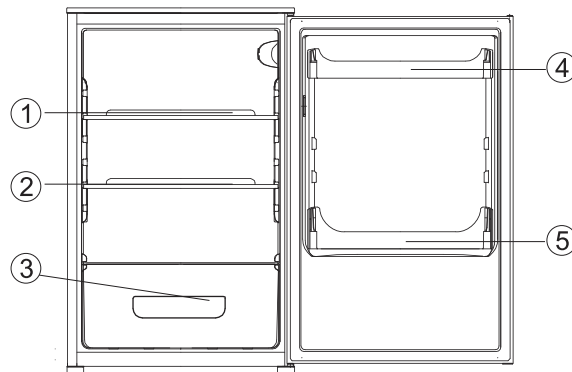
### Ablageböden

Je nach Ausstattung wird das Gerät mit verschiedenen Ablagefächern aus Glas, Kunststoff oder Gitterroste ausgeliefert.

Sie sollten eine der Ablageflächen in die niedrigste Führungsschiene direkt über den Obst- und Gemüsebehältern einsetzen, damit diese ihre Position behalten. Die Höhe der anderen Ablageflächen kann individuell eingestellt werden:

Dazu ziehen Sie den Ablageboden vorwärts bis dieser aufwärts oder abwärts gedreht und entfernt werden kann. Dies in umgekehrter Reihenfolge wiederholen, um das Regal auf einer anderen Höhe einzusetzen.

## Optimale Lagerung von Lebensmitteln



1. Fleisch, Salami, Milchprodukte
2. Fertiggerichte und Gebäck
3. Käse, Früchte und Obst
4. Konserven
5. Getränke

### Ratschläge

Lebensmittel sollten stets verpackt oder abgedeckt werden, damit diese nicht austrocknen oder verderben.

Die folgenden Materialien eignen sich für das Verpacken: luftdichte Beutel, Plastikbehälter mit Deckel, Aluminiumfolie.

## REINIGUNG UND PFLEGE

Aus hygienischen Gründen sollte das Geräte und die Innenausstattung regelmäßig gereinigt werden.

### WARNUNG!

Das Gerät muss zur Reinigung ausgeschaltet und vom Stromnetz getrennt werden, da sonst die Gefahr eines Stromschlags besteht.

Niemals ein Dampfreiniger zur Pflege/Reinigung benutzen.

Heiße Dämpfe können zu Beschädigung der Plastikteile führen. Das Gerät muss trocken sein, bevor es wieder eingeschaltet wird.

### WICHTIG!

Entfernen Sie vor Beginn der Reinigung die kompletten Lebensmittel aus dem Kühlbereich. Säurehaltige Reinigungsmittel wie Zitronensaft oder Essigsäure, können die Plastikteile im Gerät angreifen und sollten daher nicht zur Reinigung verwendet werden. Bitte weiterhin keine Reinigungsmittel mit Schleif- und Scheuermitteln verwenden. Reinigen Sie das Gerät bitte nur mit einem weichen Tuch und lauwarmen Wasser, das ggf. mit milder Seifenlauge versetzt werden kann. Nach der Reinigung das Gerät bitte gründlich abtrocknen. Ansammlungen von Staub am

Kondensator erhöhen ggf. den Energieverbrauch. Aus diesem Grund säubern Sie den Kondensator an der Rückseite des Gerätes bitte mindestens einmal jährlich mit einer weichen Bürste oder einem Staubsauger.

Überprüfen Sie das Tauwasserablaufloch an der hinteren Wand des Kühlraums. Sollte es verstopft sein, können Sie es mit Hilfe des grünen Stöpsels, der mit dem Gerät geliefert wurde, einfach reinigen.

Nach dem das Gerät vollständig getrocknet ist, können Sie es wieder in Betrieb nehmen.

## **ENERGIESPARTIPS**

Bringen Sie das Gerät nicht in der Nähe von Herden, Heizkörpern oder anderen Wärmequellen an. Hohe Umgebungstemperaturen verursachen einen längeren, häufigeren Betrieb des Kompressors.

Stellen Sie eine ausreichende Luftzirkulation sicher und decken Sie niemals die Lüftungsöffnungen ab.

Lassen Sie warme Nahrungsmittel zuerst abkühlen, bevor Sie diese im Kühlraum platzieren.

Lassen Sie die Tür nur solange geöffnet wie nötig.

Stellen Sie die Temperatur nicht kälter ein als unbedingt erforderlich.

Halten Sie den Kondensator auf der Rückwand des Gerätes immer sauber.

## **PROBLEMLÖSUNGEN**

### **Ersatzteile:**

Folgende Ersatzteile können beim Kundendienst kostenpflichtig nachgeordert werden:

- Butter/Käse-Behälter
- Eierablage
- Türregale
- Obst- und Gemüse-Fächer
- Ablageböden

Eine Fehlfunktion kann evtl. schon durch eine kleinere Störung verursacht werden, die Sie unter Beachtung der folgenden Anweisungen korrigieren können. Führen Sie keine weiteren Reparaturarbeiten, als hier beschrieben durch, wenn diese Anweisungen nicht hilfreich sind.

**WICHTIG!**

Reparaturen am Gerät können nur von kompetenten Technikern durchgeführt werden. Unsachgemäße Reparaturen können bedeutende Gefahren für den Benutzer verursachen. Wenn Ihr Gerät repariert werden muss, setzen Sie sich bitte mit dem Kundendienst in Verbindung.

<b>Problem</b>	<b>Möglicher Grund</b>	<b>Lösung</b>
Gerät funktioniert nicht	Gerät ist nicht eingeschaltet	Schalten Sie das Gerät ein
	Stromversorgung/ Stecker ist nicht eingesteckt	Stecken Sie den Stecker in die Stromversorgung
	Sicherung ist defekt	Überprüfen und ersetzen
Gerät kühlt zu stark	Temperatureinstellung zu niedrig	Wählen Sie bitte eine wärmere Temperaturstufe
Die Lebensmittel sind zu warm	Die Temperatur ist nicht korrekt eingestellt	Bitte lesen Sie den Abschnitt Temperatureinstellung
	Tür war für eine längere Zeit geöffnet	Öffnen Sie die Tür bitte nur solange wie nötig.
	In den letzten 24 Stunden wurden warme Lebensmittel im Gerät platziert	Wählen Sie bitte eine niedrigere Temperatur
	Das Gerät steht neben einer Wärmequelle	Bitte lesen Sie den Abschnitt Installation
Innenbeleuchtung funktioniert nicht	Lampe ist defekt	Bitte lesen Sie den Abschnitt Auswechseln der Glühlampe
Starke Frostbildung	Türdichtung ist nicht luftdicht (möglich nach Türanschlagswechsel)	Erwärmen Sie bitte sorgfältig die undichten Abschnitte der Profildichtung mit einem Haartrockner (auf einer kühlen Einstellung). Formen Sie gleichzeitig die gewärmte Profildichtung eigenhändig so, dass sie richtig sitzt.
Unübliche Geräusche	Gerät ist nicht waagrecht ausgerichtet	Justieren Sie bitte die Füße
	Das Gerät berührt die Wand oder andere Objekte	Positionieren Sie bitte das Gerät anders
	Ein Bestandteil, z.B. ein Rohr, auf der Rückseite des Gerätes berührt ein anderes Teil des Gerätes oder die Wand.	Bei Bedarf verbiegen Sie sorgfältig den schwer zugänglichen Bestandteil
Der Kompressor springt nicht sofort nach dem Ändern der Temperatureinstellung an.	Dies ist normal, keine Fehlfunktion	Der Kompressor startet erst nach einer gewissen Zeit
Wasser auf dem Boden oder den Ablageflächen	Tauwasserablaufloch ist blockiert	Bitte lesen Sie den Abschnitt Reinigung und Pflege

## AUSWECHSELN DER GLÜHLAMPE

### WARNUNG!

Vor dem Auswechseln der Glühlampe, stellen Sie das Gerät aus und trennen es vom Stromnetz.

Lampe: 220-240 V, max. 15 W

Zum Wechseln, drehen Sie die Schraube heraus. Schieben Sie die Glühlampenabdeckung ab. Wechseln Sie die defekte Glühlampe. Schrauben Sie die Glühlampenabdeckung wieder an. Das Gerät kann nun wieder in Betrieb genommen werden.

## GERÄUSCHE

Folgende Geräusche sind im laufenden Betrieb von Kühlgeräten charakteristisch und beruhen nicht auf einer Störung/Fehlfunktion.

**Klicken:** Wann immer der Kompressor AN/AUS schaltet, kann ein Klicken zu hören sein.

**Summen** Sobald der Kompressor einsetzt, können Sie ihn summen hören.

**Sprudeln/Spritzen** Wenn Kühlmittel in die dünnen Schläuche fließt, können Sie das Sprudeln/Spritzen hören. Selbst nachdem der Kompressor ausgeschaltet worden ist, können diese Geräusche für kurze Zeit gehört werden.

## ENTSORGUNG

Das Gerät enthält keine umweltschädlichen Kühlgase - weder im Kühlsystem noch im Isolierungsmaterial.

**ACHTUNG:** Das Gerät muss im Einklang mit der EU Richtlinie über die Entsorgung von Elektro- und Elektronikgeräten (WEEE) entsorgt werden und gehört nicht in den normalen Hausmüll.

Für nähere Informationen über die Entsorgung, Wiederverwertung und Recycling dieses Produktes, wenden Sie sich bitte an Ihre kommunalen Einrichtungen (Umweltamt) oder an die Abfallentsorgungsgesellschaft Ihrer Stadt oder an Ihren Händler.

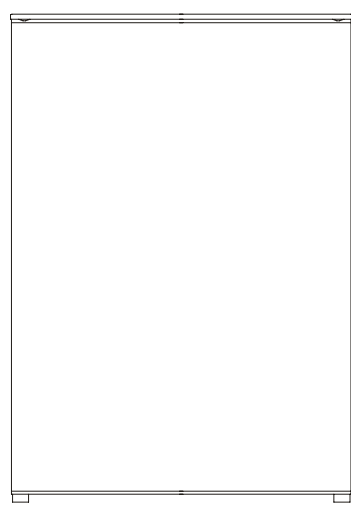
Die Entsorgung im Wald ist untersagt. Dies kann umweltschädigend und gesundheitsgefährdend sein, da gefährliche Substanzen ins Grundwasser gelangen und ihren Weg in die Nahrungskette finden.



Dieses Symbol auf dem Produkt oder in den Anleitungen bedeutet, dass das Elektrogerät am Ende seiner Lebensdauer separat entsorgt werden muss.

# **CANDY**

## **FRIGOTIFICO MANUAL DE INSTRUCCIONES**



Estimado cliente,

Antes de poner en funcionamiento su nuevo congelador lea detenidamente estas instrucciones. Contienen información importante relativa a su seguridad, a la instalación y el cuidado del electrodoméstico.

Guarde este manual de instrucciones para futuras consultas. Entréguelas a los posibles nuevos propietarios del electrodoméstico.

Las notas importantes para su seguridad y para el funcionamiento adecuado del electrodoméstico están resaltadas con un triángulo de advertencia y/o con palabras (**¡Atención!** **¡Precaución!** **¡Importante!**). Preste especial atención a esas indicaciones.

Después de este símbolo se indicará información complementaria y aplicaciones prácticas del electrodoméstico.

Los trucos y notas relacionadas con aspectos de ahorro y medioambientales se señalan con un trébol.

Las instrucciones de funcionamiento contienen instrucciones para la corrección de posibles fallos que puede solucionar el usuario consultando la sección "Guía de Incidencias". Si las instrucciones que se indican no son suficientes póngase en contacto con el Centro de Atención al Cliente local.

Impreso en papel fabricado con procesos respetuosos con el medioambiente, quien piensa en ecología actúa en consecuencia...



# Índice

<b>Información de seguridad y advertencia .....</b>	<b>2</b>
<b>Retirar el embalaje del transporte .....</b>	<b>12</b>
<b>Instalación .....</b>	<b>12</b>
<b>Empotrado .....</b>	<b>12</b>
<b>Inversión de la puerta .....</b>	<b>14</b>
<b>Cambio de la puerta del compartimento del congelador.....</b>	<b>15</b>
<b>Colocación .....</b>	<b>16</b>
<b>Descripción del electrodoméstico .....</b>	<b>16</b>
<b>Puesta en marcha y regulación de la temperatura.....</b>	<b>16</b>
<b>Accesorios internos .....</b>	<b>17</b>
<b>Desconexión del electrodoméstico .....</b>	<b>17</b>
<b>Limpieza y Cuidado .....</b>	<b>18</b>
<b>Guía de incidencias .....</b>	<b>18</b>
<b>Corrección de fallos .....</b>	<b>18</b>
<b>Cambio de bombilla .....</b>	<b>20</b>
<b>Ruidos durante el funcionamiento.....</b>	<b>20</b>
<b>Normativas, Estándares y Directrices.....</b>	<b>20</b>
<b>Tirar el electrodoméstico .....</b>	<b>21</b>

 Este aparato es de conformidad con las directrices de la UE siguientes: 2006/95/EC y 2004/108/EC y 2009/125/EC y EC.643/2009 y 2002/96/EC



### Información de seguridad y advertencia

Para su seguridad y el uso correcto, antes de instalar y utilizar el aparato por primera vez, lea este manual de usuario cuidadosamente, incluyendo sus consejos y advertencias. Para evitar errores y accidentes innecesarios, es importante asegurar que todas las personas que utilizan el aparato se familiaricen completamente con sus características de funcionamiento y seguridad. Conserve estas instrucciones y no olvide mantenerlas junto con el aparato en caso de que sea trasladado o vendido para que quienes lo utilicen a lo largo de su vida útil dispongan siempre de la información adecuada sobre su uso y seguridad.

Para la seguridad de personas y propiedades, recuerde las precauciones presentes en estas instrucciones, ya que el fabricante no se responsabiliza de los daños causados por su omisión.

### Seguridad para niños y otras personas vulnerables

- Este aparato puede ser utilizado por niños a partir de 8 años y por personas con capacidades físicas, sensoriales o mentales reducidas o por personas con falta de experiencia y conocimientos si están bajo supervisión o si se les ha explicado los riesgos que pueden incurrir. Los niños no deberán jugar con el aparato. La limpieza y el mantenimiento no deben ser realizados por niños si no

están bajo supervisión.

- Mantenga todos los embalajes apartados de los niños ya que hay riesgo de asfixia.
- Si va a desechar el aparato, desenchufe el cable de la toma de la corriente, corte el cable de conexión (lo más cerca del aparato como sea posible) y quite la puerta para evitar que los niños al jugar puedan sufrir descargas eléctricas o quedar encerrados en su interior.
- Si este aparato, que está equipado con juntas de puerta magnéticas, es para reemplazar a un aparato más antiguo que tiene un cierre de muelle (pestillo) en la puerta, asegúrese de hacer inútil el cierre de muelle antes de que deseche el aparato antiguo. De esta manera, se evita que se convierta en una trampa mortal para niños.

### **Instrucciones generales de seguridad**

- **ADVERTENCIA** - Este aparato está diseñado para ser utilizado en el hogar y en entornos domésticos, tales como
  - Áreas de cocina utilizados por personal en tiendas, oficinas y otros entornos laborales;
  - Granjas y por los clientes en hoteles, moteles y otros entornos residenciales;
  - Entornos similares al de un albergue o bed and breakfast;
  - Catering y aplicaciones similares no comerciales.
- **Advertencia** - No almacene sustancias explosivas tales como latas de aerosol con propulsor inflamable en este aparato.
- **ADVERTENCIA** - Si el cable de alimentación está dañado, deberá ser reemplazado por el fabricante, servicio

técnico personal técnico autorizado y homologado con el fin de evitar posibles peligros.

- **ADVERTENCIA** - Mantenga las aperturas de ventilación en la carcasa del aparato o en la estructura encastrada, libres de obstáculos.
- **ADVERTENCIA** - No utilice dispositivos mecánicos u otros medios artificiales para acelerar el proceso de descongelación, con excepción de los recomendados por el fabricante.
- **ADVERTENCIA** - No dañe el circuito refrigerante.
- **ADVERTENCIA** - No utilice aparatos eléctricos dentro de los compartimientos de almacenamiento de alimentos del aparato, a menos que sean de tipo recomendado por el fabricante
- **ADVERTENCIA** - El gas refrigerante y de aislamiento (soplo) son inflamables. En caso de desechar el aparato, hágalo únicamente en un centro autorizado. No lo exponga a las llamas.
- **ADVERTENCIA** - Rellénelo únicamente con agua potable. (solo para modelos con dispensador de agua)
- **ADVERTENCIA** - Para evitar peligros derivados de la inestabilidad del aparato, se debe fijar de acuerdo con las instrucciones. (Únicamente para modelos de encastre)

## **Refrigerante**

El circuito refrigerante del aparato contiene isobutano (R600a). Es un gas natural con un gran nivel de compatibilidad medioambiental, aunque es inflamable.

Durante el transporte y la instalación de este aparato, asegúrese de que ningún componente del circuito de refrigerante sea dañado.

El gas refrigerante (R600a) es inflamable.



**Atención:**  
**Peligro de fuego**

Si el circuito del refrigerante es dañado:

-Evite fuegos cercanos y fuentes de encendido

-Ventile bien la habitación en la que se ubica el aparato

Es peligroso alterar las especificaciones o modificar este aparato en modo alguno. Cualquier daño en el cable de alimentación puede causar un cortocircuito, incendio o descarga eléctrica.



**Seguridad eléctrica**

1. El cable de alimentación no se debe alargar.
2. Asegúrese de que el enchufe no está ni aplastado ni dañado. Un enchufe aplastado o dañado puede sobrecalentar y causar un incendio.
3. Asegúrese de que pueda acceder al enchufe principal del aparato.
4. No tire del cable principal.
5. Si la toma de red está floja, no inserte el enchufe. Existe riesgo de descarga eléctrica o incendio.
6. No opere el aparato sin la cubierta de la bombilla de iluminación interior (en caso de que esté provisto de ella).
7. Este aparato de refrigeración sólo funciona con la fuente

de alimentación de corriente alterna monofásica de 220~240V/50Hz. Si la fluctuación del voltaje en el distrito del usuario es demasiado grande y el voltaje excede dicho alcance, para su seguridad, asegúrese de aplicar el regulador de voltaje automático CA de más de 350W para el aparato de refrigeración. El refrigerador debe utilizar una toma de red dedicado en lugar del común con otros aparatos electrónicos. El enchufe deberá coincidir con la conexión a tierra.

## Uso diario

- No almacene gases o líquidos inflamables en el aparato, hay riesgo de explosión.
- No opere ningún aparato eléctrico en el aparato (por ejemplo, máquina eléctrica de helados, mezcladores, etc.).
- Cuando desenchufe el electrodoméstico, hágalo siempre quitándolo de la toma de corriente, no lo haga estirándolo del cable.
- No coloque recipientes calientes cerca de las piezas de plástico del aparato.
- No coloque alimentos directamente contra la salida de aire de la pared posterior. (Para modelos **frost-free** o **No-frost**)
- Almacene los alimentos congelados pre-empaquetados de acuerdo con las instrucciones del fabricante de alimentos congelados.
- Se deben seguir estrictamente las recomendaciones del fabricante del aparato sobre el almacenamiento. Consulte las indicaciones relevantes sobre el

almacenamiento.

- No coloque bebidas carbonatadas o con gas en el congelador, ya que se genera presión en el recipiente, que podría estallar y dañar el aparato. (No aplicable para el frigorífico)
- Los alimentos congelados pueden causar quemaduras por congelación si son consumidos directamente después de retirarlos del aparato.
- No coloque el aparato bajo la luz solar directa.
- Mantenga las velas, lámparas u otros ítems con acceso directo a la llama, apartados del aparato para evitar que incendios o que se quemé el electrodoméstico.
- Este aparato está diseñado para preservar los alimentos y/o bebidas en un entorno doméstico normal como se explica en el manual de instrucciones.
- Este aparato es pesado, se deberá tener cuidado al moverlo.
- No mueva ni toque elementos del compartimento congelador con las manos húmedas o mojadas, ya que podría sufrir abrasión en la piel o quemaduras por congelación.
- Nunca utilice la base, cajones, puertas, etc.. para mantenerse de pie sobre ellos o utilizarlos como soporte.
- Nunca transporte el aparato en posición horizontal debido a que el aceite del compresor puede filtrarse en el circuito refrigerante
- Los alimentos descongelados no se deben volver a congelar. (No aplicable para el frigorífico)
- No consuma los helados o cubitos de hielo

directamente desde el congelador ya que podría ocasionar quemaduras en la boca y/o los labios. (No aplicable para el frigorífico)

- Para evitar la caída de objetos o causar lesión o daño al aparato, no sobrecargue las balconeras ni coloque demasiados alimentos en los cajones. ( No aplicable para el congelador)
- Nunca cubra u obstruya las ranuras de ventilación del aparato. (Indicado para modelos de encastre)

## **¡ Precaución! Cuidado y limpieza**

- Antes de efectuar tareas de mantenimiento, apague el aparato y desconecte el enchufe de la toma de red.
- No limpie el aparato con objetos metálicos, limpiadores de vapor, aceites etéreos, disolventes orgánicos ni limpiadores abrasivos.
- No utilice objetos afilados para eliminar la escarcha del aparato. Utilice un raspador de plástico.

## **¡ Importante para la instalación!**

- Para realizar la conexión eléctrica, siga atentamente las instrucciones de los párrafos correspondientes.
- Desembale el aparato y verifique que no tiene daños. No conecte el aparato si está dañado. Informe los posibles daños de inmediato al lugar donde compró el producto. En este caso, retenga y guarde el embalaje.
- Es aconsejable esperar al menos cuatro horas antes de



conectar el aparato para permitir que el aceite regrese al compresor.

- El aparato debe disponer de la circulación de aire adecuada alrededor, ya que de lo contrario se puede producir recalentamiento. Para conseguir una ventilación suficiente, siga las instrucciones correspondientes a la instalación.
- Siempre y cuando sea posible, la parte posterior del producto deberá estar contra una pared para evitar alcanzar o tocar las partes cálidas (compresor, condensador) con el fin de evitar el riesgo de incendio, o quemaduras. Siga las instrucciones pertinentes para la instalación.
- El aparato no debe ubicarse cerca de radiadores/hornos o cocinas de libre instalación.
- Asegúrese de que el enchufe sea accesible después de la instalación del aparato.

## **Servicio**

- Cualquier trabajo eléctrico requerido durante el mantenimiento del aparato deberá ser llevado a cabo por un electricista cualificado o persona competente.
  - Este producto deberá ser mantenido por un centro del servicio técnico autorizado y sólo se deberá utilizar los repuestos genuinos.
- 1) Si el aparato es No Frost.
  - 2) Si el aparato contiene un compartimento congelador.

**En caso de funcionamiento incorrecto**

En caso de funcionamiento incorrecto del electrodoméstico, primero compruebe la “Guía de Incidencias” que se incluye en estas instrucciones. Si la información proporcionada no le resulta de ayuda, por favor, no intente hacer reparación alguna

por su cuenta.

Bajo ninguna circunstancia deberá intentar reparar el electrodoméstico por su cuenta. Las reparaciones que realizan personas no autorizadas pueden provocar daños o fallos graves. Póngase en contacto con el Servicio de Atención al Cliente local.

### Retirar el embalaje del transporte

El electrodoméstico y los componentes internos están protegidos para su transporte. Retire el adhesivo de protección de la puerta de izquierda a derecha. Puede retirar los restos de adhesivo utilizando alcohol. Retire todos los adhesivos y elementos de embalaje del interior del electrodoméstico.

### Instalación

#### Instalación Colocación

Antes de instalarlo, lea detenidamente las instrucciones hasta el final para evitar algunos problemas.

Atención: para evitar los peligros propios de la inestabilidad del electrodoméstico es obligatorio fijarlo siguiendo las instrucciones:

#### Empotrado

Dimensiones del hueco

Altura del hueco 880 mm

Fondo del hueco 550 mm

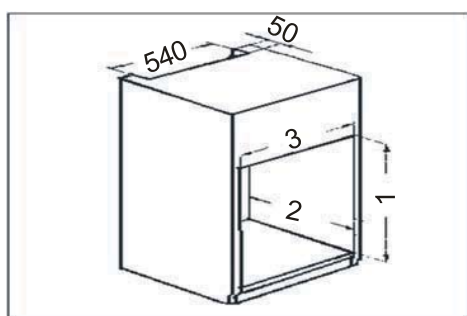
Ancho del hueco 560 mm

Es necesario que el hueco disponga de una apertura de ventilación con las dimensiones siguientes:

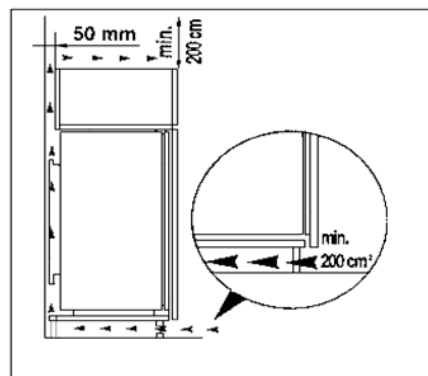
Fondo 50mm

Ancho

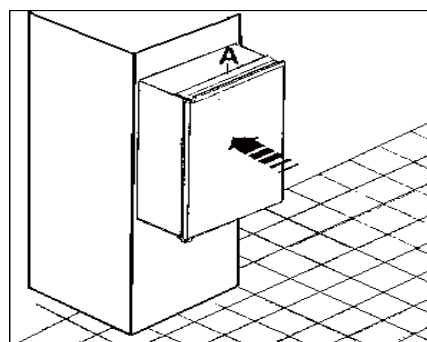
540mm



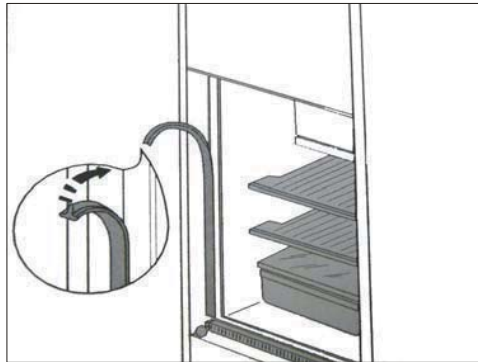
Para una ventilación adecuada siga las indicaciones de la imagen.



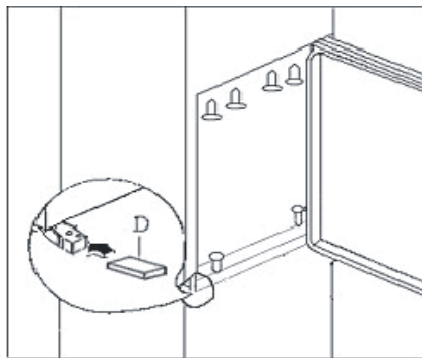
1. Empuje el electrodoméstico dentro del hueco hasta que la línea de stop (A) toque el hueco de la cocina.



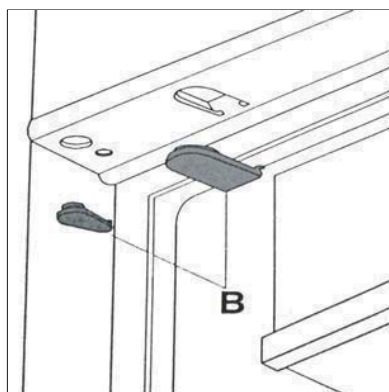
2. Presione la goma de unión entre el electrodoméstico y el mueble de la cocina (sólo en el lado que no tiene bisagra)



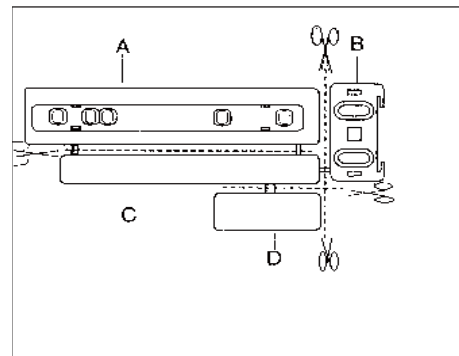
3. Abra la puerta y empuje el electrodoméstico hacia el lateral opuesto al de la bisagra. Fije el electrodoméstico con los 6 tornillos que se adjuntan con él. Encaje la cobertura de la bisagra (D) en su sitio.



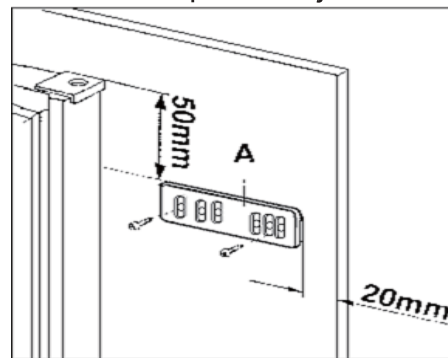
4. Coloque las cubiertas blancas (B) como se indica.



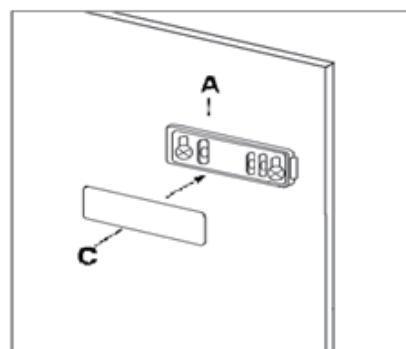
5. Separe las piezas A, B, C, D como se muestra en la imagen.



6. Coloque la guía (A) en la parte lateral de la puerta del mueble, arriba y abajo, como se muestra en la imagen y marque la posición de los agujeros externos. Una vez hechos los agujeros fije la guía con los tornillos que se adjuntan.

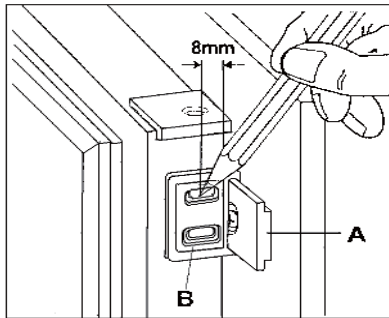


7. Fije la cobertura (C) en la guía (A) hasta que encaje.

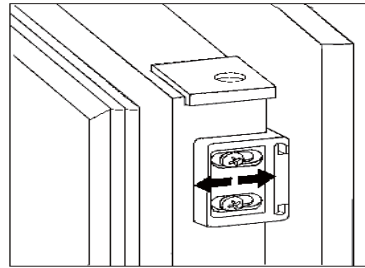


8. Abra la puerta del electrodoméstico y la puerta del mueble 90°. Inserte el cuadrado pequeño (B) en la guía (A). Empuje a la vez la puerta del electrodoméstico y la del mueble y marque los agujeros como se indica

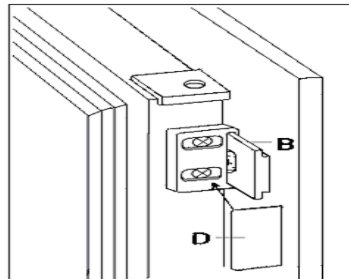
en la imagen, retire los cuadrados y haga los agujeros con un  $\phi$  de entre 2 mm y 8 mm desde la parte exterior de la puerta. Coloque el cuadrado pequeño en la guía y fíjelo con los tornillos que se adjuntan.



9. En caso de que haya que nivelar la puerta del mueble, utilice el hueco de la ranura. Al final hay que comprobar que la puerta del mueble cierra correctamente.



10. Fije la cubierta (D) con la guía (B) hasta que encaje.



### Inversión de la puerta

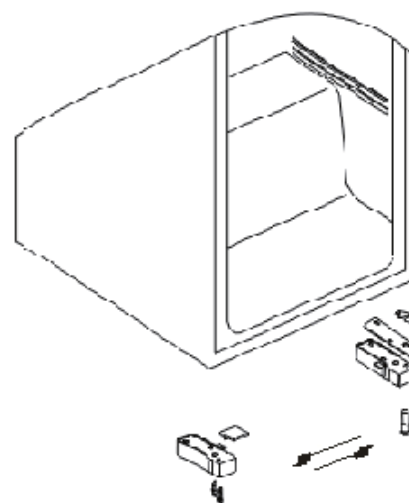
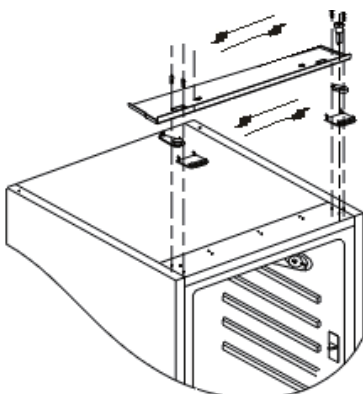
El lado hacia el que se abre la puerta de puede cambiar de la derecha (como viene de fábrica) a la izquierda si fuese necesario para su instalación.

#### ¡Atención!

Cuando cambie la dirección de apertura de la puerta el electrodoméstico tiene que estar desenchufado de la corriente. Antes de nada saque la clavija del enchufe.

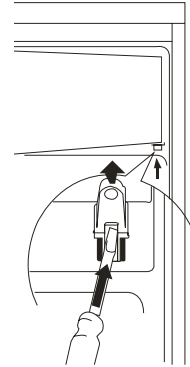
El lado hacia el que se abre la puerta de puede cambiar de la derecha (como viene de fábrica) a la izquierda si fuese necesario para su instalación. Incline el electrodoméstico ligeramente hacia atrás y apóyelo. Desatornille los tornillos de la puerta y retire la bisagra. Abra la puerta un poco y sáquela tirando hacia abajo.

Desatornille la parte superior y atorníllela en la parte superior contraria. Fije la puerta con los enganches superiores y ciérrela. Atornille la bisagra en la parte contraria a la inicial utilizando los tornillos.

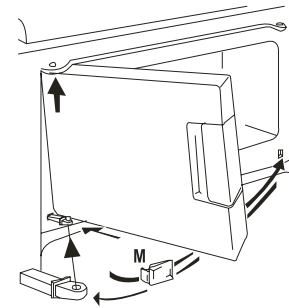


### Cambio de la puerta del compartimento del congelador

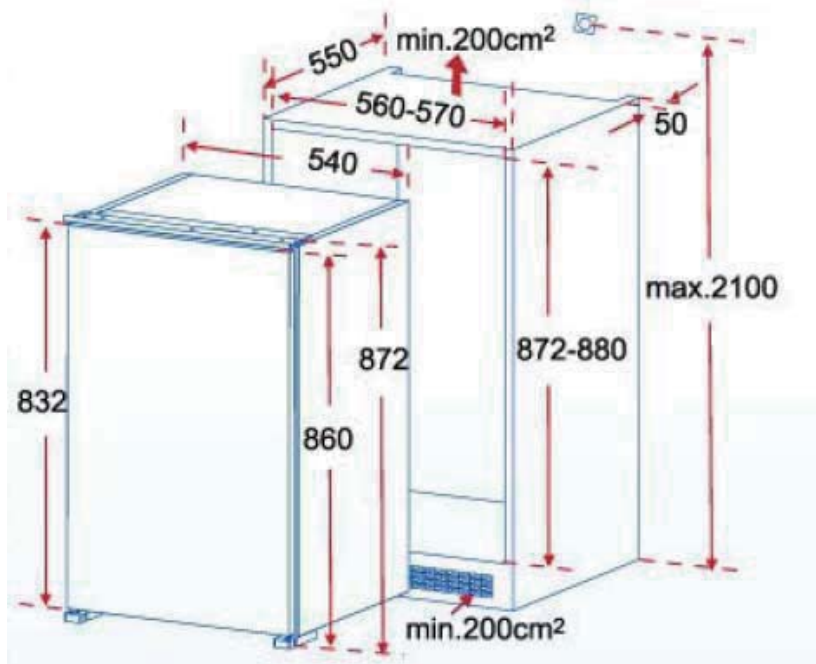
Abra la puerta del compartimento del congelador y con un destornillador pequeño presione el muelle de la parte inferior de la puerta tirando ligeramente hacia arriba y desmonte la puerta por completo.



Coloque la cubierta (M) en el lado contrario. Gire la puerta del congelador 180° y encaje la parte inferior de la misma en la cavidad correspondiente del compartimento del congelador. Levante un poco la puerta del congelador hacia arriba, encájela en la parte superior correspondiente y al mismo tiempo inserte la parte inferior en el agujero cuadrado. Ajustar un poco arriba y abajo ayudará a que encaje con mayor facilidad.



### Diagramas Técnicos de Refrigeración Integrada



## Colocación

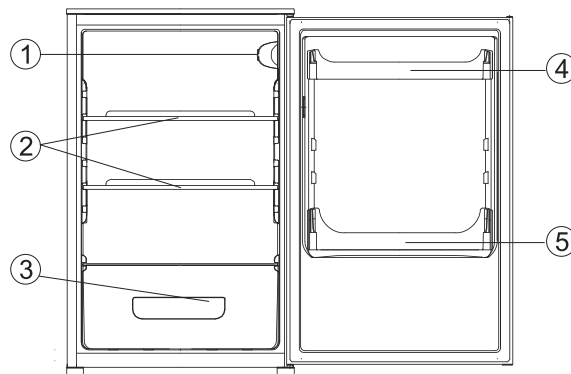
Coloque el electrodoméstico lejos de fuentes de calor como estufas, radiadores, luz solar directa, etc. El rendimiento máximo y la seguridad están garantizados si se mantiene la temperatura interior correcta para el tipo de electrodoméstico correspondiente, tal y como se especifica en la placa de información.

Clasificación climática	Temperatura ambiente
SN	10~32°C
N	16~32°C
ST	16~38°C
T	16~43°C

Los electrodomésticos no deben estar expuestos a la lluvia. Ha de permitirse la circulación de aire suficiente en la parte posterior inferior de los electrodomésticos ya que una ventilación insuficiente podría afectar al rendimiento. Los electrodomésticos empotrados han de colocarse lejos de fuentes de calor como calentadores y la luz directa del sol.

## Descripción del electrodoméstico

### Vista del electrodoméstico



1. Regulador de temperatura
2. Baldas
3. Cajones para verdura
4. Compartimentos para mantequilla/queso con tapa y huevera incorporada
5. Botellero

### Puesta en marcha y regulación de la temperatura

Inserte el enchufe a la corriente con la correspondiente toma de tierra. Cuando el frigorífico está abierto la luz interna se enciende.

El mando de selección de temperatura está en la parte RH del frigorífico.

#### El 0 significa:

Apagado.

Girar en el sentido de las agujas del reloj. Acciona la zona de refrigeración, luego empieza a funcionar de forma automática.

#### El 1 significa:

Temperatura máxima, configuración más caliente.

#### El 7 (fin-parada) significa:



Temperatura más baja, configuración más fría.

Cuando la temperatura ambiente es inferior a los 16°C ha de elegirse la opción 1. En temperaturas ambiente de unos 25°C, seleccione el 2. Si necesita una temperatura inferior póngalo en 3 ó 4.

### ¡Importante!

Temperaturas ambientales elevadas (por ejemplo, días calurosos de verano) y una configuración fría en el regulador de temperatura (posición 6 ó 7) puede provocar que el compresor esté trabajando de forma continuada.

Motivo: cuando la temperatura ambiente es alta, el compresor tiene que trabajar de forma continua para mantener la baja temperatura del electrodoméstico.

### Accesorios internos

#### Baldas/rejillas

Con su electrodoméstico se incluyen varias baldas de cristal o plástico y rejillas – las combinaciones varían en función de los modelos.

Debe colocar siempre una de las baldas de vidrio de mayor tamaño en la parte más inferior de las guías, encima de los cajones de la fruta y la verdura, y dejarla en ese lugar.

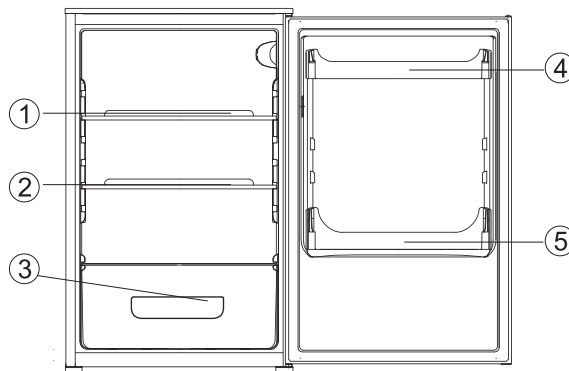
La altura de las baldas se puede ajustar:

Para ello tire de la balda hasta que se deslice hacia arriba o abajo y retírela.

Realice el proceso inverso para colocar la balda a una altura distinta.

#### Almacenamiento correcto

1. Carne, embutido, lácteos
2. Comidas, dulces
3. Queso, fruta y verdura
4. Queso y mantequilla
5. Bebidas



#### Trucos:

Los alimentos del congelador siempre deben estar cubiertos o empaquetados para evitar su deshidratación y que se peguen a otros alimentos.

Lo adecuado por su empaquetamiento es:

Bolsas y envoltorios a presión de polietileno;

Recipientes de plástico con tapadera;

Envoltorios especiales de plástico con elástico,

Papel de aluminio.

#### Descongelado

El frigorífico no se descongela de forma automática. El usuario ha de retirar manualmente la capa de escarcha que haya podido formarse en la parte posterior del electrodoméstico.

#### Desconexión del electrodoméstico

Apagar el electrodoméstico, girar el regulador de temperatura a la posición "0".

#### Si el electrodoméstico no se va a utilizar durante un largo período:

Saque todo lo que tenga refrigerándose.

Apague el electrodoméstico girando regulador de temperatura a la posición "0".

Quite el enchufe o apague o desconéctelo de la electricidad.

Límpielo (véase sección: Limpieza y Cuidado)



Deje la puerta abierta para evitar que se generen malos olores.

### **Limpieza y Cuidado**

Por motivos de higiene han de limpiarse con cierta regularidad el interior del electrodoméstico, así como todos los accesorios internos.

#### **¡Atención!**

El electrodoméstico no puede estar conectado a la red eléctrica durante la limpieza, ¡peligro de descarga! Antes de la limpieza apague el electrodoméstico y desenchúfelo de la corriente o apáguelo o active el cortacircuitos o el fusible.

Nunca limpie el electrodoméstico con limpiadores de vapor. Podría acumularse humedad en los componentes eléctricos y habría peligro de descarga. El vapor caliente podría dañar los componentes de plástico.

El electrodoméstico tiene que estar seco antes de volver a ponerlo en funcionamiento.

#### **¡Importante!**

Los aceites etéreos y los disolventes orgánicos pueden dañar las piezas de plástico, por ejemplo, el zumo de limón o el zumo de la piel de la naranja, el ácido butírico, limpiadores que contengan ácido acético.

No permita que este tipo de sustancias entren en contacto con las piezas del electrodoméstico.

No utilice limpiadores abrasivos.

Retire los alimentos del frigorífico. Colóquelos en un sitio frío y cubierto.

Apague el electrodoméstico y desenchúfelo o apáguelo y active el cortacircuitos o el fusible.

Limpie el electrodoméstico y los accesorios internos con un paño y agua templada.

También se pueden utilizar los detergentes que se comercializan para la limpieza de vajillas.

La acumulación de polvo en el condensador aumenta el consumo energético.

Por ello ha de limpiarse el condensador de la parte posterior del electrodoméstico una vez al año con un cepillo suave o con una aspiradora.

Una vez que todo esté seco vuelva a poner en marcha el electrodoméstico.

### **Trucos para el ahorro energético**

No coloque el electrodoméstico cerca de cocinas, radiadores u otras fuentes de calor.

Las temperaturas ambientales elevadas provocan un funcionamiento más prolongado y frecuente del compresor. Asegúrese de que la circulación de aire es suficiente en la base del electrodoméstico y en la parte posterior del mismo. Nunca tape las salidas de aire de ventilación. No coloque alimentos calientes dentro del electrodoméstico. Deje que los alimentos se templen primero antes de congelarlos. Deje la puerta abierta sólo el tiempo estrictamente necesario. No ponga la temperatura más baja de lo necesario. Tenga siempre limpia la rejilla de metal que emite calor del condensador que hay en la parte posterior del electrodoméstico.

### **Guía de incidencias**

#### **Corrección de fallos**

Piezas de repuesto:

Las piezas de repuesto siguientes pueden pedirse al Servicio de Atención al Cliente local. Puede colocarlas usted mismo sin una preparación o formación especial, por ejemplo:

Compartimento de la mantequilla/queso,  
hueveras,  
baldas de la puerta,  
cajones para fruta y verdura,  
baldas.

Los fallos pueden estar provocados por un error menor que puede corregir usted mismo guiándose por las instrucciones siguientes. No haga nada más que lo que se le indica si la información proporcionada a continuación no le sirve de ayuda en su

caso específico.

**¡Importante!**

Las reparaciones de los frigoríficos/congeladores sólo las pueden hacer las personas del servicio pertinente. Las reparaciones inadecuadas pueden derivar en posibles peligros para el usuario. Si hay que reparar el electrodoméstico póngase en contacto con su distribuidor o con el Centro de Atención al Cliente local.

Síntoma	Posible causa	Solución
El electrodoméstico no funciona.	El electrodoméstico no está enchufado.	Encienda el electrodoméstico.
	El enchufe no está colocado o está flojo.	Coloque la clavija en el enchufe.
	El fusible está fundido o es defectuoso.	Compruebe el fusible y cámbielo si es necesario.
	El enchufe es defectuoso.	Los fallos de electricidad ha de solucionarlos un electricista.
El electrodoméstico enfría demasiado.	La temperatura configurada es demasiado fría.	Gire el regulador de temperatura para una configuración más cálida de forma temporal.
Los alimentos están demasiado calientes.	La temperatura no se ajustó de forma adecuada.	Véase la sección "Puesta en marcha inicial".
	La puerta estuvo demasiado tiempo abierta.	Abra la puerta solo el tiempo necesario.
	Se colocó gran cantidad de alimentos templados en el electrodoméstico en las últimas 24 horas.	Gire la regulación de la temperatura hasta una configuración más fría de forma temporal.
	El electrodoméstico está cerca de una fuente de calor.	Véase la sección "instalación colocación".
La luz interior no funciona.	La bombilla es defectuosa.	Véase la sección "Cambio de la Bombilla".
Gran cantidad de escarcha, posiblemente en la goma de sellado de la puerta.	El sellado de la puerta no hace vacío (posiblemente después de cambiar el sentido de apertura de la puerta).	Temple con cuidado las partes de fuga del sellado de la puerta con un secador (con aire frío). Al mismo tiempo dele forma al sello de la puerta calentado con la mano para que encaje perfectamente.
Ruidos extraños.	El electrodoméstico no está nivelado.	Reajuste los pies.
	El electrodoméstico está tocando la pared o algún objeto.	Mueva un poco el electrodoméstico.
	Un componente, por ejemplo, una tubería, en la parte posterior del electrodoméstico, está tocando otra pieza del electrodoméstico o de la pared.	Si fuese necesario, aparte con cuidado el componente externo.
El compresor no empieza a funcionar inmediatamente	Es normal, no es un fallo.	El compresor se arranca después de un tiempo.

una vez modificada la configuración de la temperatura.		
Hay agua en el suelo o en los cajones.	El agujero de drenaje está obstruido.	Véase la sección "limpieza y cuidado."

**Cambio de bombilla**

**¡Atención!**

Antes de cambiar la bombilla desconecte el electrodoméstico y desenchúfelo, o active el diferencial o el cortacircuitos.

Datos de la bombilla: 220-240 V, max. 15 W

Para desconectar el electrodoméstico, ponga el regulador de temperatura en la posición "0".

Saque el enchufe de la clavija.

Para cambiar la bombilla quite el tornillo.

Presione la cubierta de la bombilla como se muestra y deslícela hacia sí.

Cambie la bombilla estropeada.

Vuelva a colocar la cubierta y atornille.

Vuelva a poner en funcionamiento el frigorífico.

**Ruidos durante el funcionamiento**

Los ruidos siguientes son característicos de los electrodomésticos de enfriado:

**Click**

Cuando el compresor se conecta y se desconecta puede que se escuche un click.

**Susurro**

Cuando el compresor está funcionado se escucha un leve susurro.

**Burbujas**

Cuando el refrigerante pasa por tuberías delgadas pueden escucharse ruidos como de burbujas o salpicaduras.

**Salpicaduras**

Aunque el compresor ya no esté en funcionamiento, puede seguirse escuchando ruido de salpicaduras un ratito más.

**Normativas, Estándares y Directrices**

Este electrodoméstico cumple las directrices de la UE siguientes:

- Directrices de bajo voltaje 2006/95/EC.

-Directiva EMC 2004/108/EC

### Tirar el electrodoméstico

Está prohibido tirar el electrodoméstico en el contenedor de basura doméstica.

Para su retirada existen varias posibilidades:

- 1 El municipio estableció sistemas de recogida mediante los cuales se pueden eliminar los residuos electrónicos sin coste alguno para el usuario.
- 2 El fabricante se hará cargo del electrodoméstico antiguo sin cargo alguno para el usuario.
- 3 Los productos antiguos tienen piezas de valor, pueden venderse a personas que compren metal.

El abandono en bosques o lugares apartados supone un riesgo para su salud pues las sustancias que se viertan pasarán al agua subterránea y pueden acabar en la cadena alimenticia.



Significado de un cubo de basura tachado:

No deposite electrodomésticos eléctricos, utilice depósitos independientes.

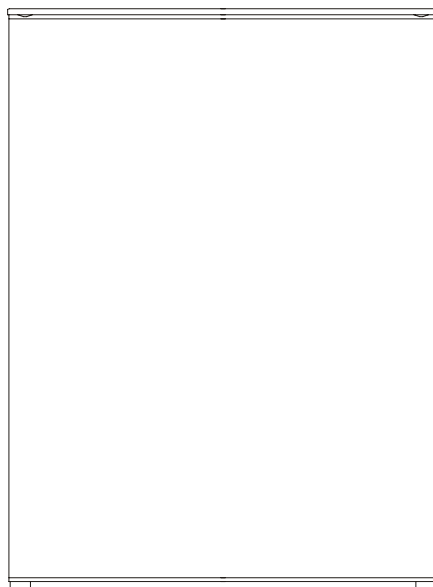
Póngase en contacto con la autoridad local competente para informarse sobre los sistemas de recogida posibles.

Si los dispositivos eléctricos se dejan en campo abierto o en vertederos puede que las sustancias peligrosas se filtren y lleguen a las aguas subterráneas pudiendo acceder así a la cadena alimenticia dañando su salud y bienestar.

Este símbolo en el producto o en las instrucciones quiere decir que el equipo eléctrico y electrónico debería separarse de la basura normal cuando se vaya a tirar en un contenedor específico. Existen sistemas de recogida independientes para su reciclaje en la UE. Si quiere más información póngase en contacto con la autoridad local competente o con el distribuidor donde haya adquirido el producto.

# **CANDY**

## **CHLADNIČKA NÁVOD K POUŽITÍ**



Vážený zákazník,

Před uvedením Vaší nové chladničky/mrazáku do provozu si přečtěte důkladně tyto pokyny. Obsahují důležité informace pro bezpečné použití, instalaci a údržbu spotřebiče.

Odložte si tento návod pro použití v budoucnosti. Odevzdejte jej také případnému novému majiteli spotřebiče.

Poznámky, které jsou důležité pro Vaší bezpečnost nebo pro správnou funkčnost spotřebiče jsou zvýrazněné trojúhelníkem nebo slovy (**Upozornění!**, **Pozor!**, **Důležité!**). Dodržujte je důkladně.


Dodatečné informace týkající se provozu a praktických aplikací spotřebiče jsou zobrazené po tomto symbolu.

Tipy a poznámky týkající se ekonomického a správného použití spotřebiče jsou označené lístkem.

Pokyny k použití obsahují pokyny o možných závadách odstranitelných uživatelem v části @Odstranění možných problémů@. Pokud tyto kroky nepostačují, kontaktujte místní autorizované servisní středisko.

# Obsah

<b>Informace o bezpečnosti a varování .....</b>	<b>3</b>
<b>Odstraňte obalový materiál .....</b>	<b>10</b>
<b>Instalace.....</b>	<b>11</b>
<b>Vestavba .....</b>	<b>11</b>
<b>Změna směru otvírání dvířek .....</b>	<b>14</b>
<b>Postavení spotřebiče.....</b>	<b>15</b>
<b>Popis spotřebiče .....</b>	<b>15</b>
4.Skladovací přihrádky .....	15
5.Přihrádka na láhve .....	15
<b>Zapnutí a nastavení teploty .....</b>	<b>15</b>
<b>Vybavení vnitřního prostoru.....</b>	<b>16</b>
<b>Čištění a údržba.....</b>	<b>17</b>
<b>Tipy pro úsporu energie.....</b>	<b>17</b>
<b>Odstranění možných problémů.....</b>	<b>17</b>
<b>Výměna žárovky .....</b>	<b>18</b>
<b>Běžné provozní zvuky .....</b>	<b>19</b>
<b>Předpisy, standardy, směrnice.....</b>	<b>19</b>
<b>Likvidace starého spotřebiče.....</b>	<b>19</b>

 Tento spotřebič je v souladu s následujícími EU směrnici: 2006/95/EC a 2004/108/EC a 2009/125/EC a EC.643/2009 a 2002/96/EC.



## INFORMACE O BEZPEČNOSTI A VAROVÁNÍ

Z důvodu vaší bezpečnosti a správného použití, než budete instalovat a používat spotřebič, přečtěte si pozorně návod k použití, včetně těchto tipů a varování. Abyste zabránili nežádoucím chybám a nehodám, je důležité, aby se osoby obsluhující spotřebič důkladně seznámili s bezpečnostními a provozními pokyny. Ušchovejte si tyto pokyny a v případě předání spotřebiče další osobě jí předejte také tento návod k použití, k zajištění bezpečné a správné obsluhy spotřebiče.

Z bezpečnostních důvodů dodržujte tyto pokyny, v opačném případě výrobce neodpovídá za žádná poškození nebo zranění.

### **Bezpečnost dětí a nezpůsobilých osob**

Tento spotřebič smí používat děti od 8 let a starší a osoby s omezenými fyzickými, senzorickými nebo mentálními schopnostmi nebo bez dostatečných zkušeností a znalostí, pokud jsou pod dohledem nebo byly poučeny o použití spotřebiče bezpečným způsobem a porozuměly možným rizikům. Nedovolte dětem hrát si se spotřebičem. Čištění a údržbu nesmí provádět děti bez dohledu.

Držte veškeré obalové materiály mimo dosah dětí, neboť představují riziko udušení. V případě likvidace starého spotřebiče jej odpojte od síťové zásuvky, odřízněte



přívodní kabel (co nejdříve k místu, kde vystupuje ze spotřebiče) a odstraňte dvířka, abyste zabránili hrajícím se dětem před zasažením elektrickým proudem a uvězněním ve spotřebiči.

Pokud tento spotřebič osahující magnetický zámek je nahrazen spotřebičem s pružinovým zámkem dvířek nebo víka, učiňte tento zámek nepoužitelným před likvidací starého spotřebiče. Tímto zabráníte možnému uvěznění dětí ve spotřebiči.

## **Všeobecná bezpečnost**



**VAROVÁNÍ** - Tento spotřebič je určený pro použití v domácnosti a podobných aplikacích jako jsou zaměstnanecké kuchyně v prodejnách, kancelářích a jiném pracovním prostředí;

- na farmách a klienty hotelů, motelů a jiném typu ubytovacích zařízení;
- v místech pro výdej snídaně;
- kateringových a podobných aplikacích

**VAROVÁNÍ** - Ve spotřebiči neskladujte explozivní látky jako jsou nádoby s hořlavými spreji.

**VAROVÁNÍ** - Pokud je poškozený přívodní kabel, musí jej vyměnit výrobce, servisní technik nebo podobně kvalifikovaná osoba, aby se zabránilo nebezpečí.

**VAROVÁNÍ** - Udržujte ventilační otvory skříňky spotřebiče nebo vestavného nábytku bez překážek.

**VAROVÁNÍ** - K urychlení procesu odmrazování

nepoužívejte mechanická zařízení jiná než doporučená výrobcem.

**VAROVÁNÍ** - Nepoškodte chladicí okruh.

**VAROVÁNÍ** - Uvnitř spotřebiče nepoužívejte elektrické spotřebiče, dokud je nedoporučí výrobce.

**VAROVÁNÍ** - Plňte pouze stolní vodou (pouze pro spotřebiče s dávkovačem vody).

**VAROVÁNÍ** - Chladicí plyn je hořlavý. Likvidaci starého spotřebiče smí provádět pouze autorizované recyklační středisko. Nevystavujte ohni.

**VAROVÁNÍ** - Abyste zabránili nebezpečí z důvodu nestability spotřebiče, musí být upevněn v souladu s pokyny (pouze pro vestavné produkty).

## Chladivo

Chladicí izobutan (R600a), který je v chladicím okruhu spotřebiče, je přírodní plyn nezávadný vůči životnímu prostředí, který je přesto hořlavý. Během přepravy a instalace spotřebiče nepoškodte žádný z komponentů chladicího okruhu. Chladicí médium (R600a) je hořlavé.



## **Pozor: riziko požáru**

V případě poškození chladicího okruhu:

- Vyhněte se otevřenému ohni a zdrojům vznícení.
- Důkladně vyvětrejte místnost, ve které je spotřebič.

Je nebezpečné měnit specifikace nebo upravovat tento spotřebič jakýmkoliv způsobem.

Jakékoliv poškození přívodního kabelu může způsobit

zkrat, požár a/nebo zasažení elektrickým proudem.



## **Elektrická bezpečnost**

1. Neprodlužujte přívodní kabel.
2. Ujistěte se, zda není poškozena zástrčka. Poškozená zástrčka může způsobit přehřátí a požár.
3. Ujistěte se, zda máte volný přístup k zástrčce spotřebiče.
4. Při odpojování netahejte za přívodní kabel.
5. Pokud je elektrická zásuvka volná, nepřipojujte zástrčku. Hrozí riziko zasažení elektrickým proudem nebo požáru.
6. Spotřebič nesmíte používat bez vnitřního krytu osvětlení.
7. Spotřebič lze připojit pouze k jednofázovému napájení střídavého proudu 220~240 V/50 Hz. Pokud kolísání napětí v elektrické síti v místě připojení přesahuje uvedené hodnoty, z bezpečnostních důvodů použijte A.C. automatický napěťový regulátor s více než 350 W. Spotřebič musí být vybaven speciální zástrčkou namísto běžné. Zástrčka musí pasovat do zásuvky s uzemňovacím kontaktem.

## **Běžné použití**

Ve spotřebiči neskladujte hořlavé plyny nebo tekutiny, hrozí riziko exploze.

Uvnitř spotřebiče nepoužívejte jiné elektrické přístroje (např. elektrický výrobek zmrzliny, mixéry apod.).

Při odpojování spotřebiče vždy tahejte za zástrčku, nikoliv

za přívodní kabel.

Do blízkosti plastových dílů spotřebiče nestavte horké předměty.

Nestavte žádné předměty do blízkosti vzduchových otvorů v zadní stěně (pouze pro no frost nebo frost free modely).

Hotové mražené pokrmy skladujte ve spotřebiči podle pokynů výrobce.

Striktně dodržujte pokynů výrobce o skladování potravin. Viz příslušné pokyny o skladování.

Do mrazicího prostoru nedávejte sycené nápoje, neboť se uvnitř nádoby zvyšuje tlak, což může vést k explozi a poškození spotřebiče.

Mražené pokrmy mohou způsobit „popálení“ po okamžité konzumaci ihned po vyjmutí z mrazicího prostoru.

Neumist'ujte spotřebič na přímé sluneční záření.

Držte svíčky, lampy a jiné předměty s otevřeným ohněm mimo spotřebič, abyste zabránili požáru.

Spotřebič je určený k uskladnění potravin a/nebo nápojů v běžné domácnosti podle popisu v tomto návodu. Spotřebič je velmi těžký. Zvyšte pozornost při přemist'ování.

Neodstraňujte ani se nedotýkejte předmětů v mrazicím prostoru, pokud máte mokré nebo vlhké ruce, neboť se můžete zranit.

Nikdy nestoupejte na základnu, šuplíky, dvířka apod.

Mražené pokrmy po rozmrazení již opětovně nezmrazujte (neplatí pro chladničku).

Neskladujte nápoje v láhvi nebo plechovkách (zejména sycené nápoje) v mrazicím prostoru, neboť mohou explodovat (neplatí pro chladničku).

Nekonzumujte zmrzlinu nebo kostky ledu ihned po vyjmutí z mrazicího prostoru, neboť se můžete zranit (neplatí pro chladničku).

Abyste zabránili pádu a zranění nebo poškození spotřebiče, nepřetěžujte přihrádky dvířek ani nevkládejte příliš mnoho pokrmů do zásobníků čerstvých potravin (neplatí pro mrazák).

Nikdy nezakrývejte ani neblokuje větrací otvory na spotřebiči (pouze pro vestavné produkty).

## **Upozornění!**

### **Péče a čištění**

Před údržbou spotřebič vypněte a odpojte zástrčku od elektrické zásuvky.

Spotřebič nečistěte kovovými předměty, parním čističem, éterickými oleji, organickými rozpouštědly nebo drsnými čističi.

K odstraňování námrazy ze spotřebiče nepoužívejte ostré předměty. Použijte plastovou škrabku.

### **Instalace**

#### **Důležité!**

Ohledně připojení k elektrické síti dodržujte pokyny v tomto návodu.

Spotřebič vybalte a zkontrolujte z hlediska poškození. V případě poškození jej nepřipojujte. Po zakoupení ihned oznamte prodávajícímu viditelná poškození. V takovém případě si odložte obalový materiál.

Po umístění spotřebiče počkejte před jeho připojením k elektrické síti nejméně hodinu k ustálení oleje v kompresoru.

Kolem spotřebiče zajistěte adekvátní chlazení k zabránění přehřátí. K zajištění dostatečného větrání dodržujte příslušné pokyny pro instalaci.

Kdykoliv je to možném umístěte zadní stranu spotřebiče naproti zdi, pro zabránění kontaktu horkých částí (kompresor, kondenzátor), abyste zabránili riziku požáru, podle pokynů k instalaci.

Spotřebič nestavte do blízkosti radiátorů nebo sporáků.

Po instalaci spotřebiče zajistěte, aby zůstala elektrická zástrčka snadno přístupná.

## **Servis**

Veškeré elektrické práce nutné k servisu spotřebiče musí provádět kvalifikovaný elektrikář nebo kompetentní osoba.

Tento spotřebič musí být opravován v autorizovaném servisním středisku a musí se používat pouze originální náhradní díly:

- 1) Pokud je spotřebič Frost Free.
- 2) Pokud spotřebič obsahuje mrazicí prostor.

**V případě závady**

Pokud se objeví závada spotřebiče, nejdříve si přečtěte kapitolu“Odstranění možných problémů“. Pokud tyto tipy nepomohou, neprovádějte žádné opravy.

Za žádných okolností se nepokoušejte spotřebič opravovat sami. Opravy provedené neoprávněnou osobou může způsobit zranění. Kontaktujte autorizované servisní středisko.

**Odstraňte obalový materiál**

Spotřebič a vnitřní vybavení je chráněné pro provoz. Odstraňte lepicí pásku z levé a pravé strany dvířek. Zbytky lepidla odstraňte bílým alkoholem. Zevnitř spotřebiče odstraňte lepicí pásy a obalové materiály.

## Instalace

### Místo instalace

Před instalací si pozorně přečtěte pokyny na konci pro zabránění možným problémům.

Upozornění: abyste se vyhnuli nebezpečí z nestability spotřebiče, musíte jej upevnit podle pokynů:

### Vestavba

Rozměry výklenku

Výška mm min 880

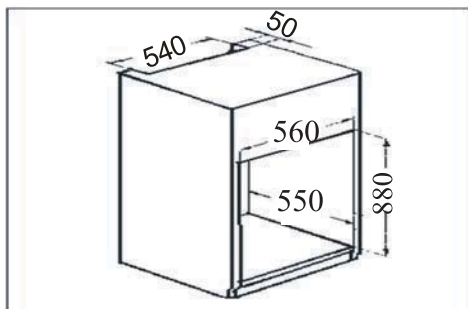
Hloubka mm min 550

Šířka mm min 560

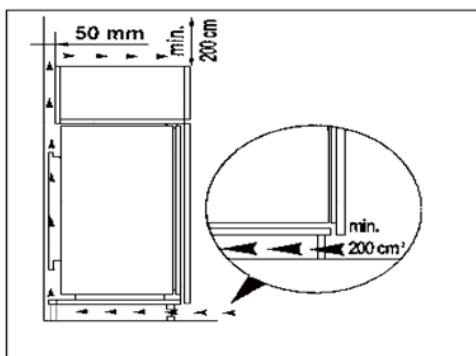
Je nutné, aby měla skříňka ventilační otvory následujících rozměrů:

Hloubka: 50mm

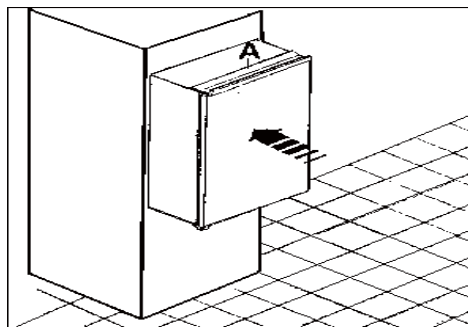
Šířka: 540 mm



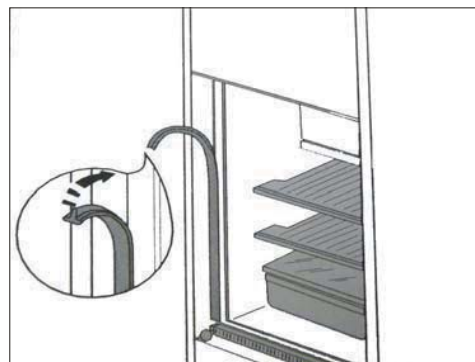
Pro správné větrání dodržujte pokyny na obrázku.



1. Zatlačte spotřebič do skříňky, dokud se pás (A) nedotkne kuchyňské linky.

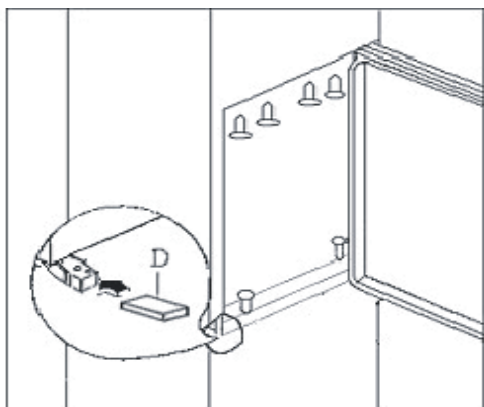


2. Zatlačte spojovací lišty mezi spotřebič a kuchyňský nábytek (pouze na straně bez závěsů).

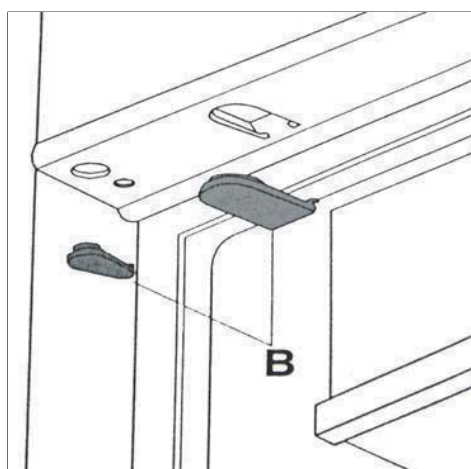


3. Otevřete dvířka a zatlačte spotřebič k nábytku naproti závěsům. Upevněte spotřebič 6 šrouby dodanými se spotřebičem. Umístěte kryt závěsů (D) na místo.

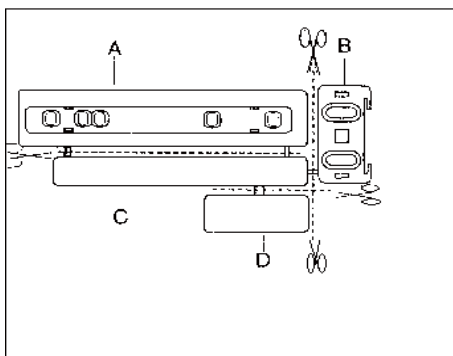




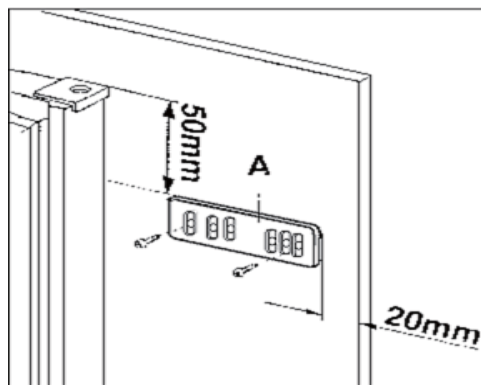
4. Nasadíte kryty (B) podle obrázku.



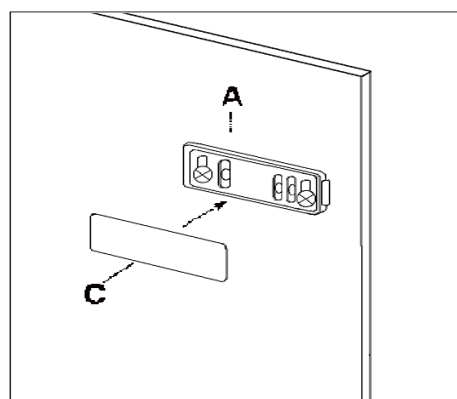
5. Oddělte díly A,B,C,D podle obrázku.



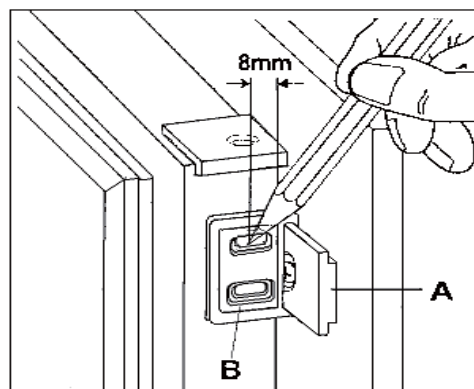
6. Umístěte vodítko (A) na boční stranu dvířek nábytku, nahoru a dolů podle obrázku a poznačte pozici externích otvorů. Po vyvrtání otvorů připevněte vodítka pomocí dodaných šroubů.



7. Připevněte kryt (C) na vodítko (A), dokud nezacvakne na místě.

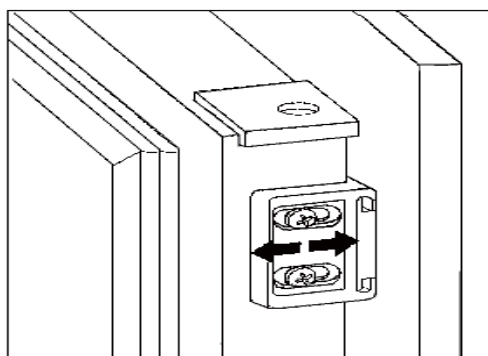


8. Otevřete dvířka spotřebiče a dvířka nábytku do úhlu 90°. Vložte malý čtverec (B) do vodítka (A). Přitlačte společně dvířka spotřebiče a dvířka nábytku a poznačte otvory. Vyjměte čtverec a vyvrtejte otvory  $\varnothing 2$  mm o délce 8 mm z vnějšího okraje dvířek. Nasadte čtverec opět na vodítko a upevněte pomocí dodaných šroubů.

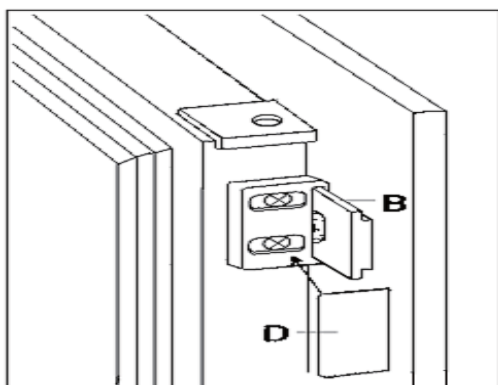


9. Při nastavení dvířek nábytku použijte nastavovací otvory. Na konci postupu je

nutné zkontrolovat správní zavírání dvířek  
nábytku.



**10.** Připevněte kryt (D) na vodičko (B),  
dokud nezacvakne na místě.



## Změna směru otvírání dvířek

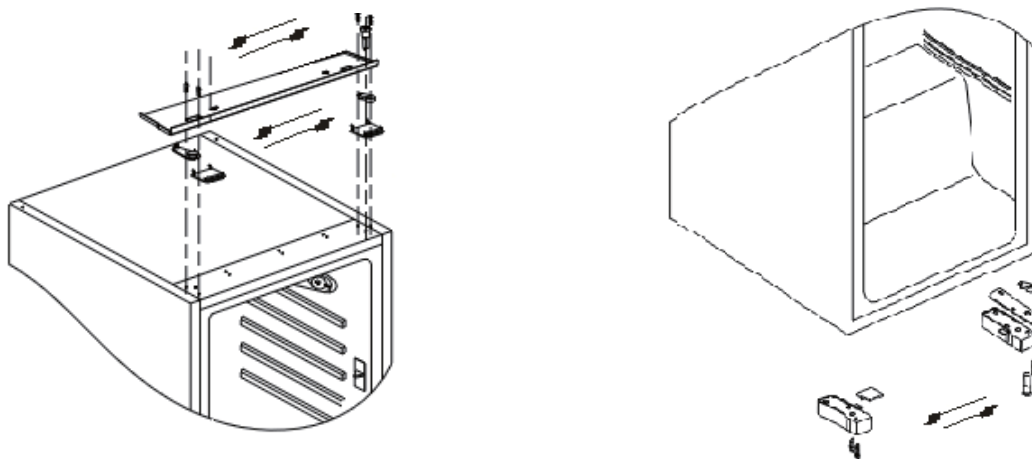
Směr otvírání dvířek lze změnit z pravé strany (dodávané) na levou, pokud je to nutné.

### Upozornění!

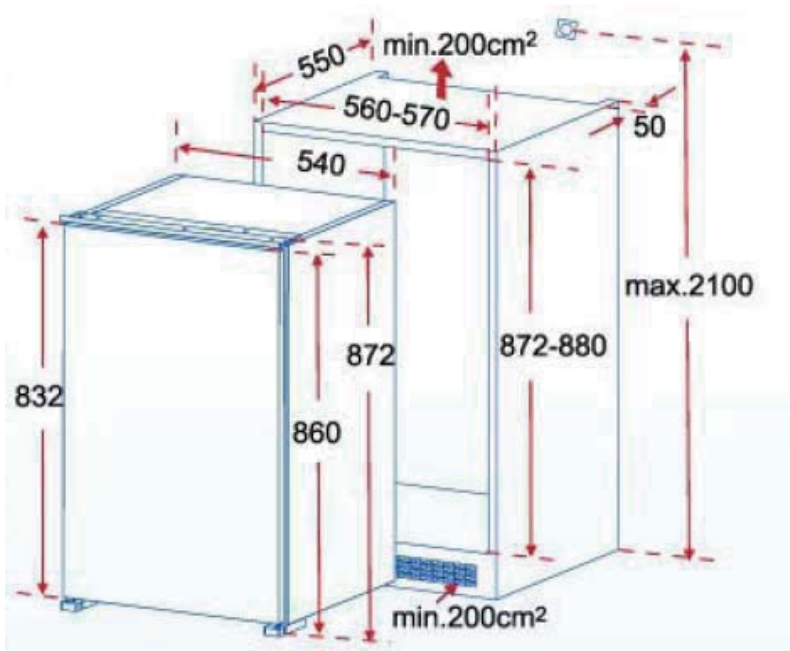
Při změně směru otvírání dvířek nesmí být spotřebič připojený k elektrické síti. Před postupem odpojte zástrčku od síťové zásuvky.

Nakloňte spotřebič mírně dozadu a zajistěte jej. Odšroubujte šrouby závěsu dvířek a vyjměte kolík závěsu. Otevřete dvířka a vysuňte je dolů.

Odšroubujte horní závěs a našroubujte je na opačnou stranu. Nasadte dvířka na horní závěs a zavřete je. Našroubujte držák závěsu na místo na opačnou stranu pomocí šroubů.



## Nákres integrovaného spotřebiče



## Postavení spotřebiče

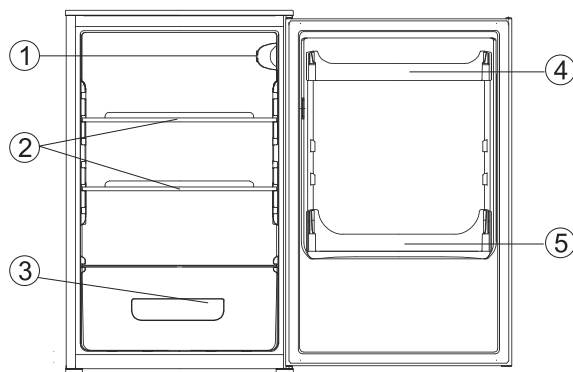
Postavte spotřebič mimo zdroje tepla, jako jsou kamna, radiátory, přímé sluneční záření, apod. Maximální účinnost a bezpečnost je zaručena při správné pokojové teplotě podle třídy spotřebiče, podle označení na výrobním štítku.

Klimatická třída	Okolní teplota
SN	10~32°C
N	16~32°C
ST	16~38°C
T	16~43°C

Tento spotřebič funguje nejlépe N po ST

Spotřebič nevystavujte dešti. Ve spodní části spotřebiče musíte zajistit dostatečné proudění vzduchu, neboť nesprávné větrání může ovlivnit správný provoz. Vestavěné spotřebiče musí být umístěné mimo zdroje tepla jako jsou ohřívače a přímé sluneční záření.

## Popis spotřebiče Pohled na spotřebič



1. Regulator teploty
2. Skladovací přihrádky
3. Přihrádky na zeleninu
4. Přihrádka na máslo/sýr s krytem a podložkou pro vejce
5. Přihrádka na láhve

## Zapnutí a nastavení teploty

Připojte zástrčku přívodního kabelu do uzemněné zásuvky. Po otevření dvířek chladničky se rozsvítí vnitřní osvětlení.

Volič teploty je umístěn na pravé horní straně uvnitř chladničky.

### Nastavení 0 znamená:

Vypnutý spotřebič.

Otočením ve směru hodinových ručiček chladničku zapnete, poté funguje automaticky.

### Nastavení 1 znamená:

Vyšší teplotu, teplejší nastavení.



**Nastavení 7 (konec) znamená:**

Nižší teplotu, chladnější nastavení.

Při nízké okolní teplotě kolem 16° zvolte nastavení 1. Při okolní teplotě kolem 25 ° zvolte nastavení 2. Pokud požadujete nižší teplotu, zvolte nastavení 3 nebo 4.

**Důležité!**

Vyšší okolní teploty (např. během teplých letních dní) a chladnější nastavení voliče teploty (pozice 6 do 7) mohou způsobit nepřetržitý provoz kompresoru.

Příčina: pokud je okolní teplota vysoká, kompresor musí neustále fungovat pro udržení nízké teploty uvnitř chladničky.

**Vybavení vnitřního prostoru****Skladovací přihrádky/drátěná přihrádka**

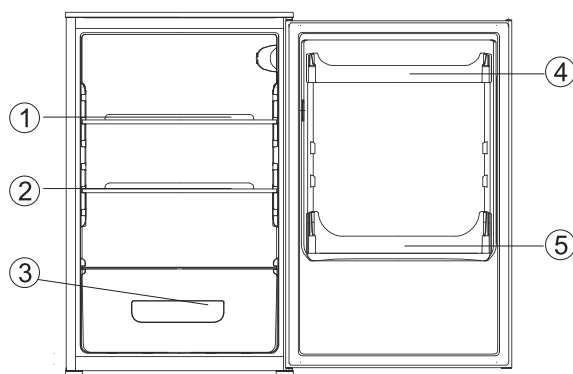
Ve spotřebiči jsou různé skleněné a plastové přihrádky a drátěné přihrádky – různé modely mají různé kombinace.

Můžete zasunout skleněné přihrádky na nejnižší pozici, nad zásobníky na ovoce a zeleninu.

Výšku skladovacích přihrádek lze nastavit:

K tomu vytáhněte přihrádku k sobě, poté nadzvedněte a vyjměte.

Opačným postupem je zasuňte do požadované pozice.

**Správné skladování**

1. Maso, salám, každodenní potraviny
2. Hotová jídla, pečivo
3. Sýr, ovoce a zelenina
4. Zavařeniny
5. Nápoje

**Tipy:**

Pokrmu v chladničce je nutné zakrýt nebo zabalit, abyste zabránili vysušení a přenášení vůní a chutí.

K balení jsou vhodné:

- Polyetylenové sáčky a obaly,
- Plastové nádoby s víkem;
- Speciální plastové nádoby,
- Hliníková fólie.

## Vypnutí spotřebiče

K vypnutí spotřebiče otočte volič teploty na pozici „0“.

### **Pokud nebudete spotřebič delší dobu používat:**

Vyjměte všechny potraviny.

Spotřebič vypněte otočením voliče teploty do pozice „0“.

Odpojte přívodní kabel nebo vypněte pojistky.

Důkladně vyčistěte (viz kapitola: Čištění a údržba)

Nechte dvířka pootevřená, abyste zabránili tvorbě pachů.

## Čištění a údržba

Z hygienických důvodů vnitřku spotřebiče jej musíte pravidelně čistit.

### **Upozornění!**

Spotřebič před čištěním odpojte od elektrické sítě. Nebezpečí úrazu elektrickým proudem! Před čištěním spotřebič vypněte a odpojte přívodní kabel od zástrčky, nebo vypněte pojistky.

Nikdy nečistěte spotřebič parním čističem. Nahromaděná vlhkost na elektrických komponentech může způsobit úraz elektrickým proudem! Horká pára může poškodit plastové díly.

Před uvedením spotřebiče do provozu jej důkladně vysušte.

### **Důležité!**

Éterické oleje a organické látky mohou poškodit plastové díly, např. citrónová šťáva nebo šťáva z pomerančů, kyselina máslová, čističe, které obsahují kyselinu octovou. Zabraňte kontaktu těchto látek se spotřebičem.

Nepoužívejte žádné drsné čističe.

Z chladničky vyjměte potraviny. Uložte je na chladném místě, dobře zakryjte.

Spotřebič vypněte a odpojte zástrčku od síťové zásuvky, nebo vypněte pojistky.

Spotřebič vyčistěte hadříkem a teplou vodou. Můžete použít také mycí prostředky na nádobí.

Po vyčištění jej opláchněte čistou vodou a vysušte.

Nahromadění prachu na kondenzátoru zvyšuje spotřebu elektrické energie.

Z tohoto důvodu vyčistěte kondenzátor na zadní straně spotřebiče jednou za rok pomocí měkkého kartáče nebo vysavače.

Zkontrolujte odtokový otvor na zadní stěně chladničky.

Zablokovaný otvor vyčistěte pomocí zeleného párátka z dodaného příslušenství.

Po vysušení spotřebiče jej můžete opět uvést do provozu.

## Tipy pro úsporu energie

Neinstalujte spotřebič do blízkosti sporáků, radiátorů nebo jiných zdrojů tepla.

Vysoká okolní teplota způsobuje delší, častější aktivaci kompresoru. Zajistěte dostatečné větrání kolem spotřebiče. Nikdy nezakrývejte větrací otvory. Nevkládejte do chladničky horká jídla. Nechte je nejdříve vychladnout. Dvířka otevírejte pouze na potřebnou dobu. Nenastavujte nižší teplotu, než je nevyhnutně nutné. Udržujte kondenzátor na zadní stěně spotřebiče čistý.

## Odstranění možných problémů

### Odstranění závad

Náhradní díly:

Následující náhradní díly lze objednat ve Vašem místním servisním středisku.

Můžete je vyměnit sami bez speciálních zkušeností a znalostí, např.:

příhrádka na máslo/sýr,

držáky vajíček,

dveřní přihrádky,  
zásobníky na ovoce a zeleninu,  
skladovací přihrádky.

Závada může být způsobena pouze příčinou, kterou můžete odstranit sami pomocí následujících pokynů. Neprovádějte jiné, než popsané kroky.

**Důležité!**

Opravy spotřebiče může provádět pouze kvalifikovaný servisní technik. Nesprávné opravy mohou vést k značným nebezpečným situacím. Pokud Váš spotřebič vyžaduje opravu, kontaktujte místní autorizované servisní středisko.

Problém	Možná příčina	Řešení
Spotřebič nefunguje.	Spotřebič není zapnutý.	Zapněte spotřebič.
	Zástrčka není připojená.	Připojte zástrčku.
	Vadná pojistka.	Zkontrolujte, případně vyměňte pojistku.
	Zásuvka je vadná.	Zásuvku smí opravovat pouze kvalifikovaný technik.
Spotřebič příliš chladí.	Nastavení teploty je vysoké.	Nastavte volič teploty na nižší stupeň.
Pokrmý jsou příliš teplé.	Teplota není nastavená správně.	Viz kapitola „první zapnutí“.
	Dvířka byly dlouho otevřená.	Dvířka otvírejte pouze na nevyhnutnou dobu.
	Do spotřebiče jste vložili velké množství teplých pokrmů za posledních 24 hodin.	Nastavte dočasně nižší teplotu.
	Spotřebič je v blízkosti zdroje tepla.	Viz kapitola „místo instalace“.
Vnitřní osvětlení nefunguje.	Vadná žárovka.	Viz kapitola „výměna žárovky“.
Nahromadění námrazy na těsnění.	Dvířka netěsní dostatečně po výměně směru otvírání dvířek.	Ohřejte těsnění fénem na vlasy. Přitom vytvarujte těsnění do správného tvaru.
Neobyčejné zvuky.	Spotřebič nestojí rovně.	Vyrovnejte spotřebič.
	Spotřebič se dotýká stěn nebo jiných předmětů.	Spotřebič mírně odsuňte.
	Komponent, např. trubka, na zadní straně spotřebiče se dotýká jiné části spotřebiče nebo stěny.	Pokud je to nutné, opatrně ohněte komponent.
Kompresor se nespustí okamžitě po změně nastavení teploty.	To je normální, nepředstavuje to závadu.	Kompresor se spustí po určité době.
Voda na podlaze nebo v přihrádkách.	Je zablokovaný odtokový otvor.	Viz kapitola „čištění a údržba“.

## Výměna žárovky

**Upozornění!**

Před výměnou žárovky vypněte spotřebič a odpojte jej od sítové zásuvky nebo vypněte pojistky.

Data žárovky: 220-240 V, max. 15 W

K vypnutí spotřebiče nastavte volič teploty na „0“.

Odpojte zástrčku.

Pro výměnu žárovky uvolněte šroub.  
Zatlačte na kryt žárovky a vysuňte jej dozadu.  
Vyměňte vadnou žárovku za novou.  
Nasaďte kryt a našroubujte šroub.  
Uveďte spotřebič do provozu.

## Běžné provozní zvuky

Následující zvuky jsou charakteristické pro chladicí spotřebiče:

### Cvaknutí

Při zapnutí a vypnutí kompresoru uslyšíte cvaknutí.

### Hučení

Během chodu kompresoru slyšíte hučení.

### Bublání

Tok chladicího média způsobuje bublání.

### Šplouchání

Po vypnutí kompresoru můžete slyšet tento zvuk.

## Předpisy, standardy, směrnice

Tento spotřebič je v souladu s následujícími EU směrnicemi:

-2006/95/EC směrnice o nízkém napětí.

-2004/108/EC EMC směrnice

## Likvidace starého spotřebiče

Tento spotřebič se nesmí likvidovat společně s domovním odpadem.

Pro likvidaci tohoto spotřebiče:

1. V místním sběrném středisku, kde bude spotřebič zlikvidován bez výdavků spotřebitele.
2. Výrobce převezme starý spotřebič k likvidaci bez výdavků spotřebitele.
3. Staré spotřebiče obsahují hodnotné zdroje, které lze opětovně využít.

Nesprávná likvidace starých spotřebičů má nepříznivý vliv na životní prostředí a lidské zdraví, spodní vodu a potraviny.



Význam symbolu přeškrtnuté nádoby:

Nevyhazujte elektrické zařízení jako netříděný domovní odpad, použijte k tomu určené sběrné středisko.

Kontaktujte místní správu pro informace týkající se možnosti správné likvidace spotřebiče.

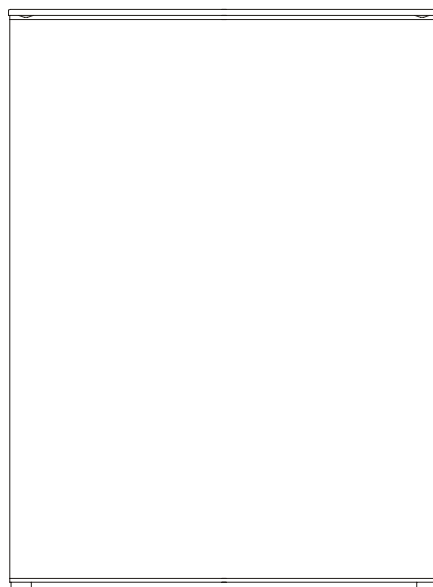
Pokud spotřebič vyhodíte do přírody, mohou se uvolnit nebezpečné látky do spodní vody, což má nepříznivý vliv na vaše zdraví.

Tento symbol na výrobku nebo v návodu znamená, že tento spotřebič nesmí být likvidován na konci své životnosti společně s domovním odpadem. Pro recyklaci jsou samostatné sběrné systémy v EU. Pro podrobnější informace kontaktujte místní správu nebo prodejce, kde jste výrobek zakoupili.



# **CANDY**

## **REFRIGERATOR INSTRUCTION MANUAL**



Αγαπητέ πελάτη,

Διαβάστε προσεκτικά τις οδηγίες που αναγράφονται σε αυτό το εγχειρίδιο πριν βάλετε σε λειτουργία το ψυγείο/ καταψύκτη που αγοράσατε . Οι οδηγίες που ακολουθούν είναι απαραίτητες για την ασφαλή χρήση και τη σωστή συντήρηση της συσκευής.

Φυλάξτε το βιβλίο οδηγιών σε ασφαλές σημείο για να το συμβουλευέστε όποτε προκύψει ανάγκη. Εάν δώσετε τη συσκευή σε τρίτο πρόσωπο φροντίστε να συνοδεύεται και από το βιβλίο οδηγιών.

Τα σημεία που περιέχουν πληροφορίες που αφορούν στην ασφάλεια σας ή τη σωστή χρήση της συσκευής επισημαίνονται ή με το σχετικό τρίγωνο σήμα ή με λέξεις όπως (**Προσοχή!**, **Επισήμανση !**, **Σημαντικό!** ). Εφαρμόστε τις οδηγίες που ακολουθούν προσεκτικά.

Οι πληροφορίες και πρακτικές οδηγίες που ακολουθούν μετά από αυτά τα σύμβολα. αφορούν στην συσκευή και είναι εξαιρετικά σημαντικές.

Οδηγίες και υποδείξεις που αφορούν στην οικονομική και φιλική προς το περιβάλλον λειτουργία της συσκευής επισημαίνονται με το εικονίδιο ενός τριφυλλιού.

Στις οδηγίες λειτουργίας εμπεριέχονται και οδηγίες αποκατάστασης πιθανών δυσλειτουργιών που μπορεί να εμφανίσει η συσκευή τις οποίες μπορείτε να αποκαταστήσετε μόνος σας .Οι οδηγίες αυτές βρίσκονται στο κεφάλαιο με τίτλο “ Επίλυση προβλημάτων@”. Εάν παρόλα αυτά οι οδηγίες αυτές δεν είναι επαρκείς για την αποκατάσταση της βλάβης πρέπει να απευθυνθείτε στο πλησιέστερο κέντρο τεχνικής υποστήριξης Gias Service τηλno 80111505050 τόσο για συμπληρωματική βοήθεια όσο και για την αποκατάσταση της βλάβης.

## Περιεχόμενα

<b>Πληροφορίες ασφαλείας και προειδοποιήσεις</b> . . . . .	3
<b>Αφαίρεση συσκευασίας</b> . . . . .	11
<b>Εγκατάσταση</b> . . . . .	12
<b>Εντοιχισμός</b> . . . . .	12
<b>Αλλαγή φοράς πόρτας</b> . . . . .	15
<b>Περιγραφή συσκευής</b> . . . . .	16
<b>Εναρξη λειτουργίας –ρύθμιση θερμοκρασίας</b> . . . . .	16
<b>Εσωτερικός εξοπλισμός</b> . . . . .	17
<b>Καθαρισμός και συντήρηση</b> . . . . .	18
<b>Οδηγίες οικονομικής λειτουργίας</b> . . . . .	18
<b>Επίλυση προβλημάτων</b> . . . . .	19
<b>Αντικατάσταση λαμπτήρα φωτισμού</b> . . . . .	20
<b>Θόρυβοι κατά τη διάρκεια λειτουργίας</b> . . . . .	20
<b>Κανονισμοί, Στάνταρτ, Προδιαγραφές</b> . . . . .	20
<b>Απόσυρση της συσκευής</b> . . . . .	21

**CE** Η Συσκευή αυτή συμμορφώνεται με τις ακόλουθες οδηγίες της ΕΕ: 2006/95/EC και 2004/108/EC και 2009/125/EC και EC.643/2009 και 2002/96/EC



### **Πληροφορίες ασφαλείας και προειδοποιήσεις**

Για την ασφάλειά σας και τη σωστή χρήση, πριν την πρώτη χρήση και εγκατάσταση της συσκευής, διαβάστε προσεκτικά αυτό το εγχειρίδιο χρήστη, συμπεριλαμβανομένων των συμβουλών και προειδοποιήσεών του. Για να αποφύγετε αχρείαστα λάθη και ατυχήματα, είναι σημαντικό να βεβαιωθείτε ότι όλοι όσοι χρησιμοποιούν τη συσκευή σας είναι απόλυτα εξοικειωμένοι με τη λειτουργία και τα χαρακτηριστικά ασφαλείας της. Αποθηκεύστε τις οδηγίες αυτές και βεβαιωθείτε ότι θα βρίσκονται μαζί με τη συσκευή εάν κινηθεί η πωληθεί, ώστε όποιος τη χρησιμοποιήσει κατά τον κύκλο ζωής της να έχει τη σωστή πληροφόρηση για τη σωστή χρήση και ασφάλειά της.

Για την ασφάλεια της ζωής και της περιουσίας σας, να τηρείτε τις προφυλάξεις των οδηγιών αυτών καθώς ο κατασκευαστής δεν είναι υπεύθυνος για ζημίες που προκλήθηκαν από παραλείψεις.

### **Ασφάλεια για παιδιά και άλλες ευπαθείς ομάδες**

Η συσκευή αυτή μπορεί να χρησιμοποιηθεί από παιδιά ηλικίας άνω των 8 ετών και από άτομα με μειωμένες φυσικές, αισθητικές και νοητικές ικανότητες ή έλλειψη εμπειρίας και γνώσης εάν βρίσκονται υπό επιτήρηση ή έχουν λάβει οδηγίες σχετικά με τη χρήση της συσκευής με

ασφαλή τρόπο και αντιλαμβάνονται τους κίνδυνους που μπορεί να υπάρχουν. Τα παιδιά δεν θα πρέπει να παίζουν με τη συσκευή. Ο καθαρισμός και η συντήρηση δεν θα πρέπει να γίνονται από παιδιά χωρίς επιτήρηση.

- Διατηρείτε όλα τα υλικά συσκευασίας μακριά από παιδιά καθώς υπάρχει κίνδυνος ασφυξίας.
- Εάν απορρίπτετε τη συσκευή, βγάλτε την από την πρίζα, κόψτε το καλώδιο ρεύματος (σε όσο το δυνατόν πιο κοντινό στη συσκευή σημείο) και αφαιρέστε την πόρτα για να αποφύγουν τα παιδιά που τυχόν θα παίξουν μαζί της κίνδυνο ηλεκτροπληξίας ή να κλειστούν μέσα στο ψυγείο.
- Εάν η συσκευή αυτή, που διαθέτει πόρτες με μαγνητικό κλείσιμο, πρόκειται να αντικαταστήσει μία παλαιότερη συσκευή που έχει μάνταλο στη πόρτα ή το καπάκι, βεβαιωθείτε ότι έχετε σπάσει την κλειδαριά με το ελατήριο προτού πετάξετε την παλιά συσκευή. Έτσι δεν θα γίνει θανάσιμη παγίδα θανάτου για κάποιο μικρό παιδί.

## Γενική ασφάλεια

**ΠΡΟΕΙΔΟΠΟΙΗΣΗ** — Η συσκευή αυτή είναι σχεδιασμένη προς χρήση σε νοικοκυριά και παρόμοιες εφαρμογές όπως:

- περιοχές κουζίνας προσωπικού σε καταστήματα, γραφεία και λοιπούς εργασιακούς χώρους
- αγροκτήματα και από πελάτες σε ξενοδοχεία , μοτέλ και άλλα σχετικά με κατοικία μέρη
- ενοικιαζόμενα δωμάτια,

- catering και παρόμοιες εφαρμογές που δεν ανήκουν στη λιανική πώληση
- ΠΡΟΕΙΔΟΠΟΙΗΣΗ — Μην αποθηκεύετε εκρηκτικές ουσίες όπως δοχεία σπρέι με εύφλεκτο προωθητικό αέριο στη συσκευή αυτή.
- ΠΡΟΕΙΔΟΠΟΙΗΣΗ — Εάν το καλώδιο του ρεύματος υποστεί ζημία πρέπει να αντικατασταθεί από τον κατασκευαστή, τον αντιπρόσωπο σέρβις του ή κάποια παρόμοια εξουσιοδοτημένα άτομα για την αποφυγή κινδύνων.
- ΠΡΟΕΙΔΟΠΟΙΗΣΗ — Κρατήστε ανοικτά τα ανοίγματα εξαερισμού στη συσκευή ή στην ενσωματωμένη δομή χωρίς κανένα εμπόδιο.
- ΠΡΟΕΙΔΟΠΟΙΗΣΗ — Μην χρησιμοποιείτε μηχανικές συσκευές ή άλλα μέσα για να επιταχύνετε τη διαδικασία απόψυξης, εκτός από αυτά που συνιστώνται από τον κατασκευαστή.
- ΠΡΟΕΙΔΟΠΟΙΗΣΗ — Μην προκαλείτε ζημιά στο κύκλωμα του ψυκτικού.
- ΠΡΟΕΙΔΟΠΟΙΗΣΗ — Μην χρησιμοποιείτε ηλεκτρικές συσκευές μέσα στο τμήμα αποθήκευσης τροφίμων εκτός από αυτές που συνιστανται από τον κατασκευαστή.
- ΠΡΟΕΙΔΟΠΟΙΗΣΗ — Το ψυκτικό υγρό και τα διογκωτικά αέρια μόνωσης είναι εύφλεκτα. Εάν θέλετε να απορρίψετε τη συσκευή να το κάνετε μόνο σε εξουσιοδοτημένο κέντρο ανακύκλωσης συσκευών. Μην εκθέτετε σε φωτιά.

## **ΨΥΚΤΙΚΟ**

Το ψυκτικό ισοβουτένιο (R600a) που περιέχεται μέσα στο κύκλωμα ψύξης της συσκευής, είναι ένα φυσικό αέριο με υψηλό επίπεδο περιβαλλοντικής συμβατότητας, το οποίο παρόλα αυτά είναι εύφλεκτο. Κατά τη μεταφορά και την εγκατάσταση της συσκευής, βεβαιωθείτε ότι κανένα από τα συστατικά στοιχεία του ψυκτικού κυκλώματος δεν θα υποστεί ζημία. Το ψυκτικό (R600a) είναι εύφλεκτο.

### **Προσοχή: Κίνδυνος πυρκαγιάς**

Εάν το κύκλωμα ψύξης υποστεί ζημία:

Αποφύγετε τις γυμνές φλόγες και τις πηγές ανάφλεξης.

Να αερίζετε καλά το δωμάτιο στο οποίο βρίσκεται η συσκευή.

Είναι επικίνδυνο να αλλοιώνετε τις προδιαγραφές ή να τροποποιείτε το προϊόν καθοιονδήποτε τρόπο.

Οποιαδήποτε ζημιά στο καλώδιο μπορεί να προκαλέσει, βραχυκύκλωμα, πυρκαγιά ή/και ηλεκτροπληξία.

### **Ηλεκτρισμός και ασφάλεια**

1. Το καλώδιο ρεύματος δεν πρέπει να επιμηκύνεται.
2. Βεβαιωθείτε ότι το καλώδιο ρεύματος δεν έχει πατηθεί ή υποστεί ζημία. Ένα πατημένο ή φθαρμένο καλώδιο μπορεί να υπερθερμανθεί και να προκαλέσει πυρκαγιά.
3. Βεβαιωθείτε ότι έχετε πρόσβαση στην κεντρική παροχή της συσκευής.

4. Μην τραβάτε το καλώδιο ρεύματος.
5. Εάν η πρίζα στον τοίχο δεν είναι καλά βιδωμένη μην εισάγετε το καλώδιο σε αυτή. Υπάρχει κίνδυνος πυρκαγιάς ή ηλεκτροπληξίας.
6. Δεν πρέπει να λειτουργείτε τη συσκευή χωρίς το κάλυμμα του εσωτερικού λαμπτήρα.
7. Το ψυγείο είναι εφοδιασμένο μόνο για ηλεκτρική παροχή μία φάσης εναλλακτικού ρεύματος 220~240V/50Hz. Εάν η διακύμανση της τάσης στην περιοχή του χρήστη είναι τόσο μεγάλη ώστε η τάση να ξεπεράσει το εν λόγω όριο, για λόγους ασφαλείας διασφαλίστε ότι έχετε συνδέσει A.C. αυτόματο ρυθμιστή τάσης άνω των 350W στο ψυγείο. Το ψυγείο πρέπει να χρησιμοποιεί μια ειδική πρίζα αντί να μοιράζεται μία κοινή με άλλες συσκευές. Η πρίζα πρέπει να διαθέτει γείωση.

## Ημερήσια χρήση

- Μην βάζετε εύφλεκτα υγρά ή αέρια στη συσκευή, υπάρχει κίνδυνο έκρηξης.
- Μην λειτουργείτε οποιασδήποτε ηλεκτρικές συσκευές μέσα στη συσκευή (π.χ. ηλεκτρικές παγωτομηχανές, μίξερ κλπ.).
- Όταν το βγάξετε από την πρίζα να τραβάτε την πρίζα και όχι το καλώδιο.
- Μην βάζετε ζεστά αντικείμενα κοντά τα πλαστικά μέρη της συσκευής.
- Να αποθηκεύετε προσυσκευασμένα κατεψυγμένα φαγητά σύμφωνα με τις οδηγίες του κατασκευαστή τους.



- Οι συστάσεις αποθήκευσης του κατασκευαστή θα πρέπει να τηρούνται ευλαβικά. Ανατρέξτε στις σχετικές οδηγίες για την αποθήκευση.
- Μην τοποθετείτε αφρώδη ποτά με ποτά με ανθρακικό στην κατάψυξη καθώς δημιουργείται πίεση στο δοχείο, κάτι που μπορεί να προκαλέσει έκρηξη και ζημιά στη συσκευή.
- Το κατεψυγμένο φαγητό μπορεί να προκαλέσει κρυσπαγήματα εάν καταναλωθεί κατευθείαν από την κατάψυξη.

Μην βάζετε τη συσκευή στο άμεσο φως του ήλιου.

- Διατηρείτε αναμμένα κεριά λάμπες και άλλα αντικείμενα με γυμνή φλόγα μακριά από τη συσκευή ώστε να μην πιάσει φωτιά.
- Η συσκευή προορίζεται για τη φύλαξη τροφίμων ή/και ποτών σε κανονικά νοικοκυριά όπως εξηγείται στο παρόν εγχειρίδιο.
- Η συσκευή είναι βαριά. Η μετακίνησή της πρέπει να γίνεται προσεκτικά.
- Μην απομακρύνετε ούτε αγγίζετε αντικείμενα από την κατάψυξη εάν τα χέρια σας είναι υγρά/βρεγμένα, γιατί μπορείτε να προκαλέσετε αμυχές ή κρυσπαγήματα.
- Αποφύγετε την παρατεταμένη έκθεση της συσκευής στο άμεσο φως του ήλιου.

Να μην χρησιμοποιείτε ποτέ τη βάση, τα συρτάρια, τις πόρτες για πάτημα ή στήριγμα. Να μη μεταφέρετε ποτέ τη συσκευή σε οριζόντια θέση, για το λάδι στην συμπιεστή μπορεί να κυλήσει μέσα στο ψυκτικό κύκλωμα.

- Τα κατεψυγμένα τρόφιμα δεν πρέπει να επανακαταψύχονται όταν έχουν ξεπαγώσει.
- Μην αποθηκεύετε ποτά σε μπουκάλι ή μεταλλικό κουτάκι (ειδικά ανθρακούχα) στην κατάψυξη. Μπορεί προκληθεί έκρηξη.
- Μην καταναλώνετε γρανίτες ή παγάκια απευθείας μόλις βγουν από τον καταψύκτη γιατί μπορεί να προκαλέσετε κρυοπαγήματα.
- Για να αποφύγετε την πτώση αντικειμένων και την πρόκληση τραυματισμών ή ζημίας στη συσκευή, μην υπερφορτώνετε τα ράφια της πόρτας και μην βάζετε πολλά τρόφιμα στα συρτάρια .

## **Προσοχή!**

### **Φροντίδα και καθάρισμα**

- Πριν τη συντήρηση απενεργοποιήστε τη συσκευή και βγάλτε την πρίζα.
- Μην καθαρίζετε τη συσκευή με μεταλλικά αντικείμενα, ατμοκαθαριστή, αιθέρια έλαια, οργανικούς διαλύτες ή διαβρωτικά καθαριστικά.
- Μην χρησιμοποιείτε μυτερά αντικείμενα για να αφαιρέσετε τον πάγο από τη συσκευή. Χρησιμοποιείτε πλαστικά εργαλεία.

### **Εγκατάσταση Σημαντικό!**

- Για τη σύνδεση στο ηλεκτρικό ρεύμα, ακολουθήστε τις οδηγίες του παρόντος εγχειριδίου.

- Αφαιρέστε τη συσκευασία και δείτε εάν η συσκευή έχει τυχόν ζημιές. Εάν έχει μην την συνδέετε στο ρεύμα. Αναφέρετε άμεσα πιθανές ζημιές στο κατάστημα αγοράς. Σε αυτή την περίπτωση κρατήστε τη συσκευασία.
- Θα ήταν καλό να περιμένετε τουλάχιστον τέσσερις ώρες πριν συνδέσετε τη συσκευή στο ρεύμα ώστε να επιτρέψετε στο λάδι να επιστρέψει πίσω στο μοτέρ.
- Η επαρκής κυκλοφορία αέρα γύρω από τη συσκευή εμποδίζει την υπερθέρμανσή της. Για να επιτύχετε επαρκή εξαερισμό, ακολουθήστε τις οδηγίες εγκατάστασης.
- Όπου αυτό είναι εφικτό το πίσω μέρος της συσκευής θα πρέπει να είναι σε τοίχο για να μην είναι εύκολο να αγγίζει κανείς τα ζεστά σημεία (μοτέρ, συμπιεστή). Για την αποφυγή πυρκαγιάς, ακολουθήστε τις οδηγίες
- Η συσκευή δεν πρέπει να τοποθετείται κοντά σε καλοριφέρ ή ηλεκτρικές κουζίνες.
- Βεβαιωθείτε ότι μετά την εγκατάσταση της συσκευής έχετε πρόσβαση στην παροχή ρεύματος.

## Σέρβις

- Οποιαδήποτε ηλεκτρική εργασία που απαιτείται για την εκτέλεση του σέρβις της συσκευής θα πρέπει να εκτελείται από έναν ικανό ηλεκτρολόγο ή άλλο ικανό άτομο.
  - Το προϊόν αυτό πρέπει να υποβάλλεται σε σέρβις από ένα εξουσιοδοτημένο κέντρο Σέρβις και να χρησιμοποιούνται μόνο γνήσια ανταλλακτικά.
- 1) Εάν η συσκευή είναι Frost Free.
  - 2) Εάν η συσκευή έχει κατάψυξη.

**Σε περίπτωση βλάβης**

Εάν προκύψει κάποια βλάβη συμβουλευθείτε τη παράγραφο “ Επίλυση προβλημάτων” όπου υπάρχουν σχετικές οδηγίες ,εάν οι πληροφορίες που περιέχονται σε αυτή δεν είναι επαρκείς μην δοκιμάσετε να αποκαταστήσετε τη συσκευή μόνο σας.

Η αποκατάσταση των βλαβών των ψυκτικών συσκευών πρέπει να γίνεται αποκλειστικά από επαγγελματίες ψυκτικούς Η αποκατάσταση βλάβης από μη ειδικό εγκυμονεί σοβαρούς κινδύνους .Εάν η συσκευή σας παρουσιάζει βλάβη για την αποκατάσταση απευθυνθείτε στο κέντρο τεχνικής υποστήριξης Gias Service τηλνο: 80111505050.

**Αφαίρεση της συσκευασίας μεταφοράς.**

Η συσκευή και τα εσωτερικά εξαρτήματα είναι ειδικά συσκευασμένα για την μεταφορά. Αφαιρέστε την αυτοκόλλητη ταινία που βρίσκεται στην αριστερή και δεξιά πλευρά της πόρτας. Τα ίχνη μπορείτε να τα αφαιρέσετε με την βοήθεια λευκού οινοπνεύματος. Αφαιρέστε όλες τις αυτοκόλλητες ταινίες και τα υλικά συσκευασίας από το εσωτερικό της συσκευής.

## Εγκατάσταση

### Χώρος εγκατάστασης

Πριν εγκαταστήσετε τη συσκευή διαβάστε προσεκτικά τις οδηγίες που βρίσκονται στο τέλος προκειμένου να αποφύγετε κάποια προβλήματα  
Προσοχή :Για να αποφύγετε ατυχήματα εξαιτίας κακής ευστάθειας της συσκευής πρέπει να το στερεώσετε ακολουθώντας τις οδηγίες:

### Εντοιχισμός

Διαστάσεις εσοχής

Ύψος περιβλήματος mm min 880

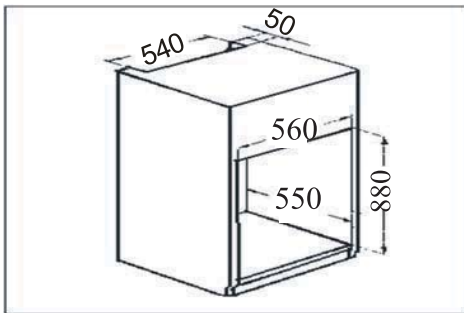
Βάθος περιβλήματος mm min 550

Πλάτος περιβλήματος mm min 560

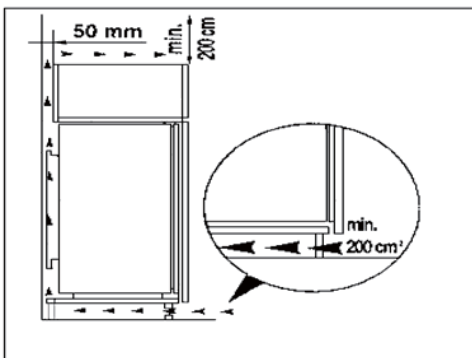
Το ντουλάπι εντοιχισμού πρέπει απαραίτητα να έχει υποδοχές εξαερισμού με τις πιο κάτω διαστάσεις :

Βάθος 50mm

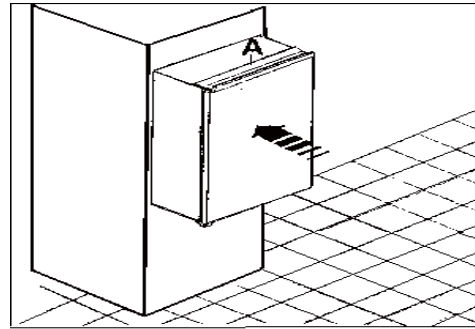
Πλάτος 540 mm



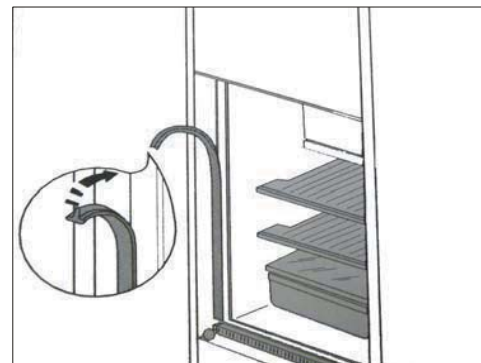
Για το σωστό εξαερισμό της συσκευής ακολουθείστε το σχέδιο που ακολουθεί.



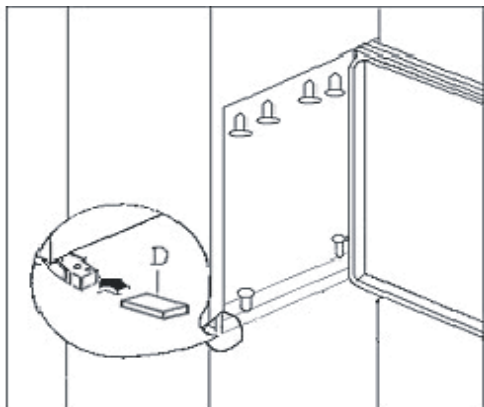
1. Τοποθετείστε τη συσκευή στο χώρο υποδοχής της μέχρι του σημείου που η ταινία Α θα ακουμπήσει το έπιπλο υποδοχής .



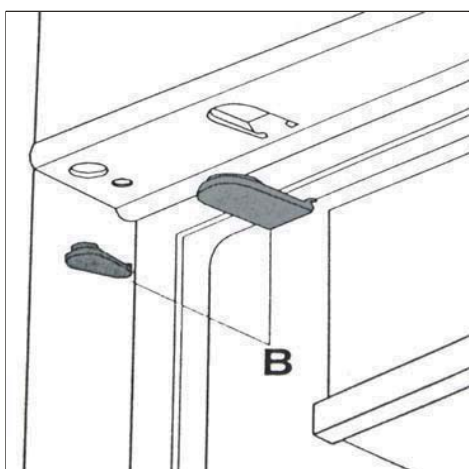
2. Πιέστε τα καλύμματα των αρμών μεταξύ της συσκευής και του επίπλου εντοιχισμού που είναι τοποθετημένοι στην απέναντι πλευρά από εκείνη με τους μεντεσέδες στήριξης της πόρτας.



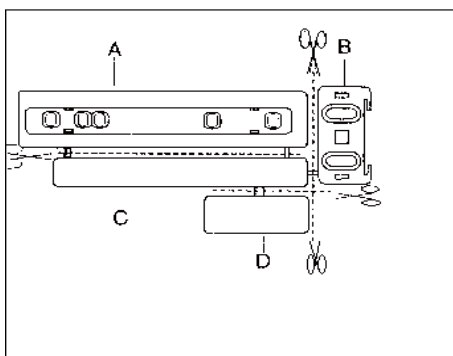
3. Ανοίξτε την πόρτα και σπρώξτε τη συσκευή προς την πλευρά του επίπλου της κουζίνας απέναντι από την πλευρά που βρίσκονται οι μεντεσέδες της πόρτας. Στερεώστε τη συσκευή με τις 6 βίδες που θα βρείτε στα υλικά που συνοδεύουν τη συσκευή. Τοποθετείστε τα καλύμματα του μεντεσέ(D) στη θέση τους.



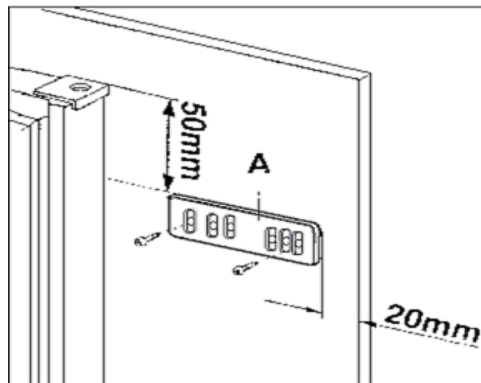
**4.** Τοποθετείστε τα προστατευτικά καπάκια (B) όπως δείχνει η εικόνα.



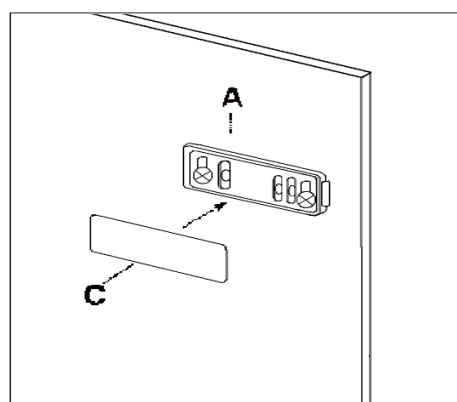
**5.** Ξεχωρίστε τα εξαρτήματα A,B,C,D όπως δείχνει η εικόνα.



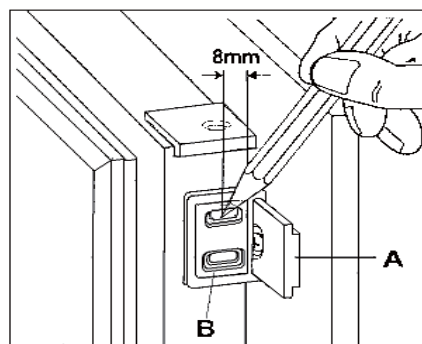
**6.** Τοποθετείστε τον οδηγό (A) στην μεριά που βρίσκεται η πόρτα του επίπλου, στο επάνω και κάτω μέρος όπως δείχνει η εικόνα και σημειώστε την θέση των οπών στην εξωτερική πλευρά. Αφού ανοίξετε τις οπές στερεώστε τον οδηγό με τις βίδες που συνοδεύουν τη συσκευή.



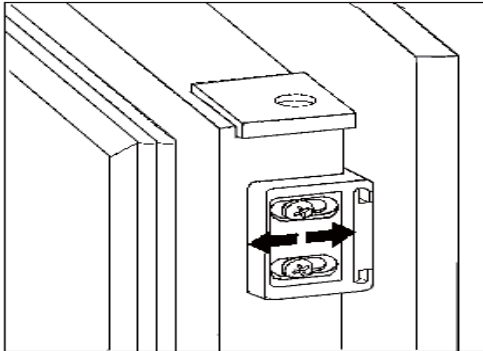
**7.** Τοποθετείστε τον οδηγό (C) στην υποδοχή (A) έως ότου τα κλείστρα μπουν στην θέση τους.



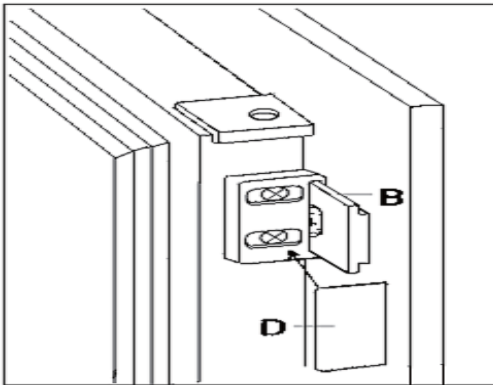
**8.** Ανοίξτε τη πόρτα της συσκευής και του επίπλου εντοιχισμού σε ορθή γωνία  $90^\circ$ . Τοποθετείστε την γωνιά (B) στην υποδοχή (A). Σπρώξτε ταυτόχρονα τη πόρτα της συσκευής και του επίπλου και σημειώστε τις τρύπες όπως στην εικόνα, αφαιρέστε τις γωνιές και ανοίξτε τις τρύπες με ένα τρυπάνι  $\varnothing 2$  mm στα 8 mm από την εξωτερική πλευρά της πόρτας. Τοποθετείστε τη γωνιά στη θέση της και στερεώστε τη με τις βίδες που συνοδεύουν τη συσκευή.



**9.** Εάν χρειαστεί να ανασηκώσετε τη πόρτα του επίπλου εντοιχισμού κάντε το με την ρύθμιση του τζόγου στο μεντεσέ. Στο τέλος ελέγξτε εάν η πόρτα εντοιχισμού κλείνει καλά .



**10.** Στερεώστε το κάλυμμα (D) θηλυκώνοντας το στην υποδοχή (B).



## Αλλαγή στη φορά ανοίγματος της πόρτας

Η πόρτα της συσκευής την οποία αγοράσατε ανοίγει προς τα δεξιά, εφόσον αυτό δεν εξυπηρετεί μπορείτε να αλλάξετε τη φορά ανοίγματος της πόρτας προς τα αριστερά.

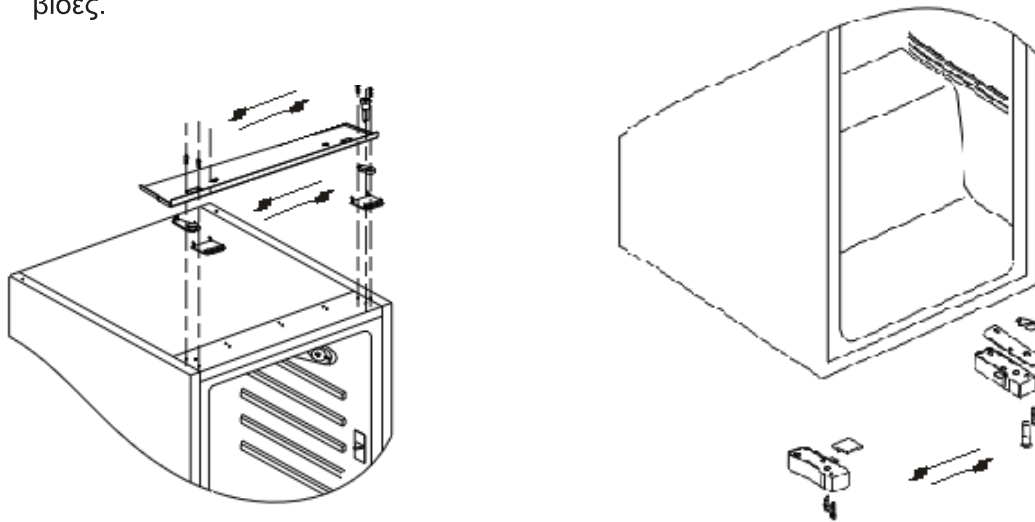
### Προσοχή!

Κατά την διάρκεια των εργασιών αλλαγής φοράς της πόρτας η συσκευή πρέπει να έχει αποσυνδεθεί από το δίκτυο παροχής ηλεκτρικής ενέργειας.

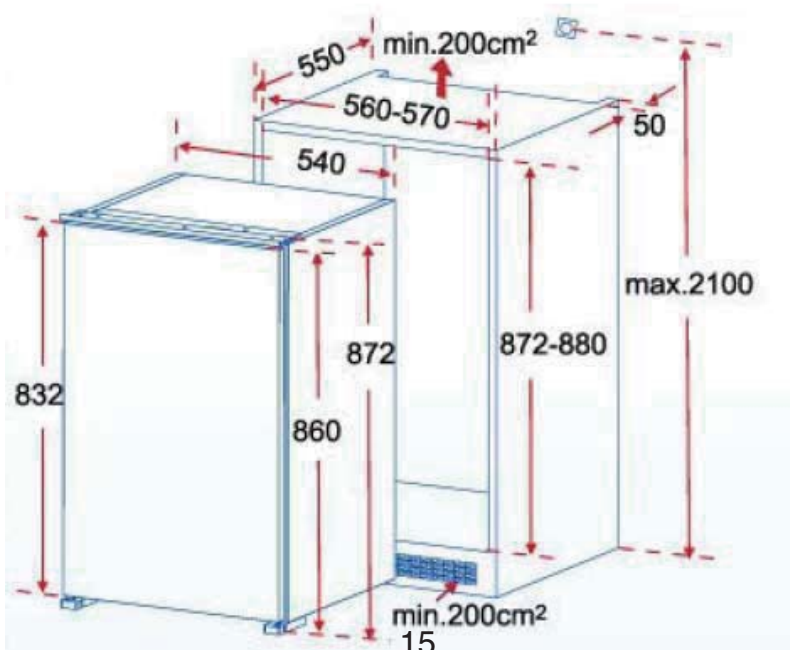
Μπορείτε να αλλάξετε τη φορά ανοίγματος της πόρτας από τα δεξιά προς τα αριστερά εφόσον αυτό απαιτείται από τις ανάγκες εγκατάστασης.

Γείρετε τη συσκευή ελαφρά προς τα πίσω κρατώντας τη στερεά. Ξεβιδώστε το μεντεσέ της πόρτας και αφαιρέστε το. Ανοίξτε λίγο την πόρτα και αφαιρέστε τον τραβώντα το προς τα κάτω.

Ξεβιδώστε τον επάνω πύρο και τοποθετήστε το στην απέναντι πλευρά. Στερεώστε τη πόρτα με τον επάνω πύρο και κλείστε το. Ξεβιδώστε τη βίδα του μεντεσέ στήριξης και τοποθετήστε τον στην απέναντι πλευρά βιδώνοντας στερεά τις βίδες.



### Σχεδιάγραμμα εντοιχισμού συσκευής ψύξης





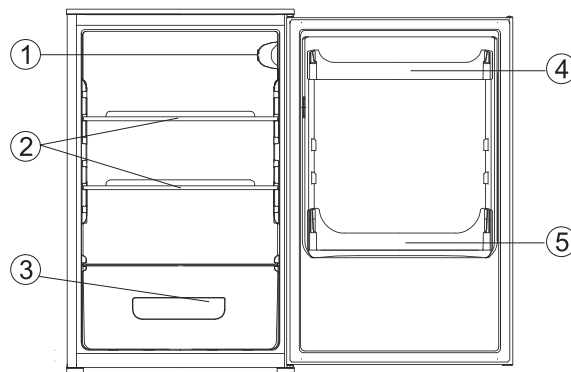
## Επιλογή χώρου τοποθέτησης της συσκευής

Τοποθετείστε τη συσκευή μακριά από πηγές θερμότητας όπως φούρνους, καλοριφέρ, μην την αφήνετε εκτεθειμένη στις ακτίνες του ήλιου κ.α. Η μέγιστη καλύτερη απόδοση της συσκευής επιτυγχάνεται όταν η θερμοκρασία του χώρου στον οποίο έχει εγκατασταθεί αντιστοιχεί με την θερμοκρασία της κλιματικής κατηγορίας στην οποία ανήκει.

Κλιματική κατηγορία	Θερμοκρασία χώρου
SN	10~32°C
N	16~32°C
ST	16~38°C
T	16~43°C

Η συσκευή αυτή αποδίδει καλά στο φάσμα θερμοκρασίας μεταξύ N και ST. Η συσκευή δεν πρέπει να τοποθετείται σε υπαίθριο χώρο. Η ανεμπόδιστη κυκλοφορία του αέρα στο κάτω μέρος της πλάτης της συσκευής είναι προϋπόθεση για την αποτελεσματική λειτουργία. Οι εντοιχιζόμενες συσκευές δεν πρέπει να εγκαθίστανται κοντά σε πηγές θερμότητας, το καλοριφέρ και τις ακτίνες του ήλιου.

## Περιγραφή της συσκευής Πρόσωση της συσκευής



1. Θερμοστάτης
2. Ράφια αποθήκευσης
3. Συρτάρια για λαχανικά
4. Χώροι για Βούτυρο/Τυρί με καπάκι και ενσωματωμένη αυγοθήκη.
5. Ράφι για μπουκάλια

## Έναρξη λειτουργίας και ρύθμιση της θερμοκρασίας

Συνδέστε το φις στην γειωμένη πρίζα παροχής ηλεκτρικής ενέργειας. Όταν η πόρτα της συσκευής είναι ανοικτή ο λαμπτήρας φωτισμού θα ανάψει.

Ο επιλογέας ρύθμισης της θερμοκρασίας βρίσκεται στην δεξιά πλευρά στο θάλαμο του ψυγείου.

### Ρύθμιση στη θέση 0 :

Συσκευή εκτός λειτουργίας(off)

Περιστρέφοντας προς τα δεξιά τον επιλογέα η συσκευή τίθεται αυτόματα σε λειτουργία.

### Ρύθμιση στη θέση 1 :

Μέγιστη θερμοκρασία, (θερμή) ρύθμιση.

### Ρύθμιση στη θέση 7 (τέρμα):



Χαμηλότερη (ψυχρή) θερμοκρασία ρύθμισης .

Σε θερμοκρασία περιβάλλοντος γύρω στους 16 °C , πρέπει να επιλέξετε τη ρύθμιση 1.

Σε θερμοκρασία περιβάλλοντος γύρω στους 25 °C ,πρέπει να επιλέξετε τη ρύθμιση 2.

Για χαμηλότερη θερμοκρασία επιλέξτε ρυθμίσεις μεταξύ 3 ή 4.

### **Επισήμανση**

Όταν η θερμοκρασία του περιβάλλοντα χώρου είναι υψηλή (πχ. Τις καλοκαιρινές ημέρες ) και η ρύθμιση του καταψύκτη είναι σε χαμηλή θερμοκρασία μπορεί να συμβεί ο συμπιεστής να λειτουργεί συνεχώς.

Εξήγηση :όταν η θερμοκρασία του περιβάλλοντος είναι υψηλή ο συμπιεστής της συσκευής δουλεύει αδιάκοπα για να διατηρήσει την θερμοκρασία στο θάλαμο της συσκευής σε χαμηλά επίπεδα.

## **Εξοπλισμός θαλάμου**

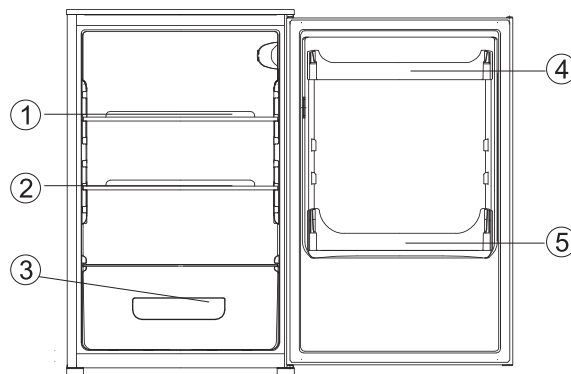
### **Ράφια αποθήκευσης /Συρμάτινος δίσκος**

Ανάλογα με το μοντέλο η συσκευή συνοδεύεται από διαφορετικούς συνδυασμούς γυάλινων ή πλαστικών ραφιών, σχάρες κλπ.

Τοποθετείστε ένα από τα ευμεγέθη γυάλινα ράφια στο πιο χαμηλό οδηγό ,πάνω απο τις λεκάνες για τα φρούτα και τα λαχανικά και διατηρείστε το πάντα σε αυτή τη θέση.

Ρυθμίστε το ύψος των ραφιών σύμφωνα με τις ανάγκες σας. Τραβήξτε το ράφι προς τα εμπρός ώστε να απελευθερωθεί από την υποδοχή στήριξης και να μπει στην υποδοχή στήριξης που προηγείται ή έπεται κάνοντας τις αντίστροφες κινήσεις. .

### **Σωστή αποθήκευση**



1. Κρέας,αλλαντικά ,γαλακτοκομικά

2. Μαγειρεμένο φαγητό,γλυκά

3. Τυριά, φρούτα και λαχανικά

4. Κονσέρβες.

5. Ποτά

### **Μικρά μυστικά :**

Τοποθετείστε τα τρόφιμα μέσα στο ψυγείο μόνο αφού τα βάλετε σε κλειστά δοχεία η τα συσκευάσετε αεροστεγώς. Με αυτό το τρόπο δεν αφυδατώνονται και δεν απορροφούν οσμές από τα άλλα τρόφιμα.

Τα τρόφιμα είναι σωστά συσκευασμένα όταν τοποθετούνται σε:

Αεροστεγείς σακούλες και περιτυλίγματα

Πλαστικά δοχεία με καπάκι

Ειδικά πλαστικά καλύμματα με λάστιχο.

Μεμβράνη από αλουμίνιο (αλουμινόχαρτο)

## **Απενεργοποίηση της συσκευής**

Για να διακόψετε τη λειτουργία περιστρέψτε το θερμοστάτη στη θέση "0".

**Εάν δεν πρόκειται να χρησιμοποιήσετε τη συσκευή για μεγάλο χρονικό διάστημα:**

Αφαιρέστε όλα τα δοχεία που έχετε μέσα.

Απενεργοποιήστε τη συσκευή περιστρέφοντας το θερμοστάτη στην θέση "0".

Αποσυνδέστε από την παροχή ή κλείστε τον κεντρικό διακόπτη ή κατεβάστε το γενικό.

Καθαρίστε προσεκτικά τη συσκευή (Βλέπε παράγραφο:Καθαρισμός και συντήρηση)

Αφήστε την πόρτα ανοικτή για να μην μυρίσει η συσκευή.

## **Καθαρισμός και συντήρηση**

Για λόγους υγιεινής το εσωτερικό του θαλάμου της συσκευής και ο σχετικός εξοπλισμός πρέπει να καθαρίζονται τακτικά.

### **Προσοχή!**

Μην αφήνετε τη συσκευή συνδεδεμένη στο δίκτυο παροχής ηλεκτρικής ενέργειας κατά την διαδικασία καθαρισμού. Υπάρχει κίνδυνος ηλεκτροπληξίας Πριν από το καθαρισμό της συσκευής αποσυνδέστε τη συσκευή από το δίκτυο παροχής ,κλείστε το διακόπτη στο πίνακα ή αφαιρέστε την ασφάλεια από το πίνακα παροχής

Μην δοκιμάσετε να καθαρίσετε τη συσκευή με ατμό. Η υγρασία μπορεί να καθίσει στα ηλεκτρικά μέρη της συσκευής με κίνδυνο να προκληθεί ηλεκτροπληξία. Οι ζεστοί ατμοί μπορεί να επηρεάσουν τα πλαστικά μέρη της συσκευής.

Μην δοκιμάσετε να καθαρίσετε τη συσκευή με ατμό. Η υγρασία μπορεί να καθίσει στα ηλεκτρικά μέρη της συσκευής με κίνδυνο να προκληθεί ηλεκτροπληξία. Οι ζεστοί ατμοί μπορεί να επηρεάσουν τα πλαστικά μέρη της συσκευής.

Στεγνώστε καλά τη συσκευή πριν την επανασυνδέστε με το δίκτυο ηλεκτρικής ενέργειας.

### **Σημαντικό !**

Αιθέρια έλαια και οργανικοί διαλύτες μπορεί να φθείρουν τα πλαστικά μέρη της συσκευής πχ.χυμός από λεμόνι ή τα έλαια από τη φλούδα του πορτοκαλιού, το βουτυρικό οξύ, απορρυπαντικά που περιέχουν οξεικό οξύ κλπ. Φροντίστε ώστε ο πιο πάνω ουσίες να μην έλθουν σε επαφή με τις επιφάνειες της συσκευής.

Μην χρησιμοποιείτε λειαντικές ουσίες για το καθαρισμό της συσκευής.

Αφαιρέστε τα τρόφιμα από το ψυγείο και αποθηκεύστε τα σε ένα δροσερό χώρο καλά σκεπασμένα

Διακόψτε τη λειτουργία της συσκευής και βγάλτε τη μπρίζα από τη σύνδεση ή κλείστε το γενικό η βγάλτε την ασφάλεια που αντιστοιχεί στη συσκευή από το πίνακα. Καθαρίστε τη συσκευή και τα εξαρτήματα του θαλάμου με ένα ύφασμα και ζεστό νερό. Για το καθαρισμό μπορείτε να χρησιμοποιήσετε και τα απορρυπαντικά για πιάτα που κυκλοφορούν στο εμπόριο. Μετά το καθαρισμό ξεβγάλτε με καθαρό νερό και στεγνώστε με ένα ύφασμα.

Η συγκέντρωση σκόνης επάνω στο συμπυκνωτή αυξάνει τη κατανάλωση ενέργειας.

Καθαρίζετε το συμπυκνωτή από τις σκόνες μια φορά το χρόνο με τη βοήθεια της ηλεκτρικής σκούπας ή μιας μαλακιάς βούρτσας.

Βεβαιωθείτε ότι η οπή του αγωγού απόληξης του νερού που βρίσκεται στη πλάτη της συσκευής είναι καθαρή και ανοικτή.

Καθαρίστε την οπή απόληξης του νερού με το πράσινο γάντζο που θα βρείτε μέσα στο σακουλάκι με τα εξαρτήματα της συσκευής. Αφού όλα στεγνώσουν επανασυνδέστε τη συσκευή στο δίκτυο και βάλτε την σε λειτουργία.

## **Οδηγίες εξοικονόμησης ενέργειας**

Μην τοποθετείτε τη συσκευή κοντά στην κουζίνα, στο καλοριφέρ ή σε άλλες συσκευές που παράγουν θερμότητα. Όταν η συσκευή βρίσκεται σε χώρο με υψηλές θερμοκρασίες ο συμπιεστής τίθεται συχνότερα και για μεγαλύτερο διάστημα σε λειτουργία. Εξασφαλίστε τη σωστή κυκλοφορία του αέρα και του εξαερισμού στην βάση και στην πλάτη της συσκευής Διατηρείτε πάντα ελεύθερους τους αγωγούς εξαερισμού της συσκευής. Μην τοποθετείτε μέσα στη συσκευή ζεστά τρόφιμα .

Αφήστε τα τρόφιμα να κρυώσουν πριν τα τοποθετήσετε μέσα στη συσκευή. Μην

αφήνετε τη πόρτα της συσκευής ανοικτή περισσότερο από ότι είναι αναγκαίο. Μην ρυθμίζετε τη συσκευή σε χαμηλότερη θερμοκρασία από εκείνη που απαιτείται για τη σωστή συντήρηση των τροφίμων. Ο συμπιεστής της συσκευής παράγει θερμότητα ,διατηρείτε το συμπιεστή και τη μεταλλική σχάρα που βρίσκεται στη πλάτη της συσκευής καθαρά .

## Επίλυση προβλημάτων

### Αποκατάσταση κακής λειτουργίας

Ανταλλακτικά :

Τα ανταλλακτικά που ακολουθούν μπορείτε να τα παραγγείλετε από το πλησιέστερο Κέντρο Τεχνικής Υποστήριξης η αντικαταστασή τους γίνεται απλά χωρίς να απαιτούνται ειδικές γνώσεις ή δεξιότητες πχ

- Θήκη για βούτυρο/ τυρί,
- Αυγοθήκες,
- Πορτάκια συρταριών,
- Λεκάνες φρούτων και λαχανικών,
- Ράφια αποθήκευσης.

Κάποιες μικρές βλάβες που μπορεί να προκύψουν κατά τη διάρκεια της χρήσης της συσκευής μπορούν να αποκατασταθούν εύκολα από εσάς τους ίδιους αν διαβάσετε και εφαρμόσετε τις οδηγίες που αναγράφονται στο πίνακα που ακολουθεί. Εάν ακολουθώντας τις οδηγίες η βλάβη δεν αποκατασταθεί μην δοκιμάσετε να αποκαταστήσετε την βλάβη με τρόπο διαφορετικό !

#### Σημαντικό!

Η επισκευή των ψυγείων /καταψυκτών πρέπει να γίνεται αποκλειστικά από εξειδικευμένους τεχνικούς των κέντρων τεχνικής υποστήριξης Gias Service.

Η άστοχη αποκατάσταση μπορεί να γίνει αιτία επικίνδυνων καταστάσεων για το χρήστη. Εάν πρέπει να αποκαταστήσετε κάποια βλάβη της συσκευής σας είναι καλό να απευθύνεστε στο πλησιέστερο εξιδικευμένο κέντρο τεχνικής υποστήριξης Gias Service.

Βλάβη	Πιθανή αιτία	Αποκατάσταση
Η συσκευή δεν λειτουργεί	Η συσκευή δεν έχει τεθεί σε λειτουργία	Ενεργοποιείστε τη συσκευή.
	Ο κεντρική πρίζα δεν έχει μπει σωστά στη θέση του ή είναι χαλασμένη	Βάλτε τη πρίζα σωστά
	Η ασφάλεια κήκε ή είναι ελαττωματική	Ελέγξτε την ασφάλεια και αντικαταστήστε την εάν χρειάζεται .
	Ελαττωματικός ρευματοδότης	Ζητείστε τη βοήθεια τεχνικού
Η συσκευή παγώνει πολύ	Η ρύθμιση της συσκευής είναι λανθασμένη (πολύ κρύο).	Ρυθμίστε τη συσκευή σε υψηλότερη θερμοκρασία για λίγο διάστημα.
Τα τρόφιμα είναι ζεστά .	Ρυθμίστε σωστά τη θερμοκρασία	Συμβουλευθείτε τη παράγραφο “Θέση σε λειτουργία της συσκευής”.
	Ανοίξτε τη πόρτα για μεγάλο χρονικό διάστημα	Μην αφήνετε τη πόρτα ανοικτή περισσότερο από ότι χρειάζεται
	Τοποθετήσατε μεγάλη ποσότητα ζεστού φαγητού μέσα στο ψυγείο το τελευταίο 24ωρο.	Ρυθμίστε τη θερμοκρασία σε χαμηλότερους βαθμούς

	Η συσκευή είναι κοντά σε πηγή θερμότητας	Συμβουλευθείτε τη παράγραφο "Εγκατάσταση της συσκευής".
Ο εσωτερικός φωτισμός δεν λειτουργεί.	Ο λαμπτήρας είναι ελαττωματικός	Συμβουλευθείτε τη παράγραφο "Αλλαγή λαμπτήρα"
Σχηματισμός πάγου πιθανόν και στη τσιμούχα της πόρτας.	Η τσιμούχα της πόρτας δεν εφάπτεται καλά (πιθανόν μετά από αλλαγή στη φορά ανοίγματος της πόρτας).	Ζεστάνετε προσεκτικά τις τσιμούχες της πόρτας με τη βοήθεια ενός στεγνωτήρα μαλλιών. Ταυτόχρονα με το χέρι σας πλάστε τη τσιμούχα ώστε να επανέλθει στη θέση της.
Ασυνήθιστοι θόρυβοι	Η συσκευή θέλει ευθυγράμμιση.	Ρυθμίστε τα ποδαράκια.
	Η συσκευή ακουμπά στο τοίχο ή σε έπιπλα.	Μετακινήστε τη συσκευή απαλά.
	Κάποιο εξάρτημα στη πλάτη της συσκευής πχ. Ένα σωληνάκι ακουμπά σε άλλο εξάρτημα ή στο τοίχο.	Εάν είναι αναγκαίο στερεώστε το εξάρτημα που έχει φύγει από τη θέση του.
Το μοτέρ δεν τίθεται σε λειτουργία αμέσως μετά την αλλαγή των ρυθμίσεων.	Είναι φυσιολογικό, δεν πρόκειται για βλάβη.	Το μοτέρ τίθεται σε λειτουργία μετά από λίγο.
Νερό στο πάτωμα ή στα συρτάρια.	Η οπή αποχέτευσης είναι βουλωμένη.	Συμβουλευθείτε τη παράγραφο "Καθαρισμός και συντήρηση"

## Αντικατάσταση λαμπτήρα φωτισμού

### Προσοχή!

Πριν δοκιμάσετε να αντικαταστήσετε το λαμπτήρα φωτισμού, διακόψτε τη λειτουργία της συσκευής και αποσυνδέστε τη από το δίκτυο παροχής ηλεκτρικής ενέργειας ή θέστε εκτός την ασφάλεια ή το ρελέ ασφαλείας στο πίνακα δικτύου.

Τύπος λαμπτήρα: 220-240 V, μέγιστη ισχύς 15 W

Για να διακόψετε τη λειτουργία της συσκευής ρυθμίστε το θερμοστάτη στη θέση "0".

Αποσυνδέστε από το δίκτυο τη πρίζα.

Για να αλλάξετε το λαμπτήρα, βγάλτε τη βίδα.

Πιέστε το καπάκι του λαμπτήρα για να βγει από τη θέση του.

Αντικαταστήστε το καμένο λαμπτήρα.

Τοποθετήστε το καπάκι του λαμπτήρα και τη βίδα στη θέση τους.

Βάλτε εκ νέου σε λειτουργία το ψυγείο.

## Θόρυβοι κατά την διάρκεια της λειτουργίας

Οι θόρυβοι που ακολουθούν είναι χαρακτηριστικοί θόρυβοι των συσκευών ψύξης:

### Κλικ

Κάθε φορά που διακόπτεται η ξεκινά η λειτουργία του συμπιεστή θα ακούτε ένα κλικ.

### Βόμβισμα-βουητό

Μόλις ο συμπιεστής τεθεί σε λειτουργία μπορεί να ακούσετε ένα βουητό.

### Κελάρυσμα

Όταν το ψυκτικό υγρό ρέει στο κύκλωμα μπορεί να ακούσετε κελάρισμα ή παφλασμό

### Παφλασμός

Αυτό το θόρυβο μπορεί να τον ακούτε για μικρό χρονικό διάστημα και όταν ο

συμπιεστής βρίσκεται εκτός λειτουργίας

## Ρυθμίσεις, Προδιαγραφές, Οδηγίες αναφοράς

Η συσκευή αυτή πληροί τις ακόλουθες οδηγίες της Ευρωπαϊκής Ένωσης :

-2006/95/EC χαμηλής τάσης.

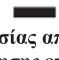
-2004/108/EC EMC Οδηγία της Ευρωπαϊκής Κοινότητας.

## Απομάκρυνση συσκευής

Απαγορεύεται να πετάτε τις συσκευές αυτές μαζί με τα οικιακά απορρίμματα. Η απομάκρυνση των συσκευών στο δάσος ή σε οποιοδήποτε φυσικό περιβάλλον εγκυμονεί κινδύνους για την υγεία σας, καθώς επικίνδυνα υλικά μπορεί να διαρρεύσουν στη φύση και στο έδαφος και τελικά να βρουν δίοδο στη διατροφική αλυσίδα.

## Απόσυρση της συσκευής



Η συσκευή αυτή φέρει την ένδειξη  που αφορά την υπέρθυμ. 2002/96/CE οδηγία της ευρωπαϊκής ένωσης σχετικά με τον τρόπο ρύθμισης της διαδικασίας απόσυρσης των ηλεκτρικών και ηλεκτρονικών συσκευών. (WEEE). Με αυτό το τρόπο επιδιώκεται η αποφυγή πρόκλησης επιβάρυνσης στο περιβάλλον και βλάβης στους ανθρώπους από την λανθασμένη απόσυρση αυτών των συσκευών. Το σύμβολο που βρίσκεται επάνω στην συσκευή υποδηλώνει ότι δεν μπορεί να αντιμετωπίζεται ως οικιακό απόβλητο. Για την απόσυρση της παλιάς σας συσκευής απευθυνθείτε στην εταιρεία Ανακύκλωση Α.Ε Τηλνο 210 5319762-66 προκειμένου να σας κατευθύνει στην αρμόδιο φορέα ανακύκλωσης της περιοχής σας. Η [ΑΝΑΚΥΚΛΩΣΗ ΣΥΣΚΕΥΩΝ](#) Α.Ε. είναι, μετά από τη σχετική υπουργική απόφαση, ο υπεύθυνος φορέας για την οργάνωση και τη λειτουργία του Συλλογικού Συστήματος Εναλλακτικής Διαχείρισης των Αποβλήτων Ηλεκτρικού και Ηλεκτρονικού Εξοπλισμού (Α.Η.Η.Ε.). Η ΑΝΑΚΥΚΛΩΣΗ ΣΥΣΚΕΥΩΝ Α.Ε. έχει ως πρωταρχική επιδίωξη την επίτευξη των εθνικών στόχων, έτσι όπως αυτοί καθορίζονται από την Ευρωπαϊκή και την Ελληνική νομοθεσία ([Νόμος 2939/2001](#) και [Προεδρικό Διάταγμα 117/2004](#)).

## ΥΠΗΡΕΣΙΕΣ ΤΕΧΝΙΚΗΣ ΥΠΟΣΤΗΡΙΞΗΣ

### ΠΙΣΤΟΠΟΙΗΤΙΚΟ ΕΓΓΥΗΣΗΣ : Τι πρέπει να κάνετε

Η συσκευή που αγοράσατε συνοδεύεται από 24μηνη εγγύηση με ημερομηνία έναρξης την ημερομηνία παράδοσης της συσκευής. Οι όροι της εγγύησης αναγράφονται στο πιστοποιητικό που συνοδεύει την συσκευή. Σύμφωνα με την ισχύουσα νομοθεσία το πιστοποιητικό εγγύησης πρέπει να επιδειχθεί στις υπηρεσίες Τεχνικής Υποστήριξης, όποτε χρειαστεί, συνοδευόμενο από έγκυρο παραστατικό αγοράς, επάνω στο οποίο πρέπει να αναγράφονται τα στοιχεία του μεταπωλητή, η ημερομηνία αγοράς, τα στοιχεία του προϊόντος και η τιμή αγοράς.

Γίνεται αποδεκτό ότι κατασκευαστικά ελαττώματα της συσκευής που μπορεί να εμφανισθούν μέσα στους πρώτους 6 μήνες (από την αγορά της συσκευής) προϋπάρχαν, εκτός και αν αυτό είναι ασύμβατο με το ίδιο το προϊόν ή το είδος του ελαττώματος), σε αυτή την περίπτωση οι Τεχνικές Υπηρεσίες Gias Service αφού διαπιστώσουν την ακρίβεια του ισχυρισμού κατασκευαστικού ελαττώματος θα πραγματοποιήσουν την αποκατάσταση με απαλλαγή από το κόστος της επίσκεψης, εργασίας, ανταλλακτικών. Μετά την πάροδο των πρώτων 6 μηνών και για τους υπόλοιπους 16 η απόδειξη του κατασκευαστικού ελαττώματος βαρύνει τον αγοραστή, στην περίπτωση που ο πελάτης δεν μπορεί να αποδείξει τα όσα ισχυρίζεται δεν μπορεί να κάνει χρήση των ευεργετημάτων των όρων της εγγύησης και ως εκ τούτου η αποκατάσταση θα γίνει με χρέωση του αγοραστή.

ΚΑΛΩΝΤΑΣ ΤΟ 8011505050 συνδέστε με το πλησιέστερο κέντρο Τεχνικής Υποστήριξης Gias Service. Για την καλύτερη εξυπηρέτηση πρέπει να αναφέρετε στον Τεχνικό με τον οποίο επικοινωνείτε, τον αριθμό μητρώου παραγωγής της συσκευής σας.

**Ο αριθμός μητρώου της συσκευής** (16 χαρακτήρες που αρχίζουν με τον αριθμό 3) αναγράφεται στο πιστοποιητικό εγγύησης. Αναφέροντας τον αριθμό μητρώου διευκολύνεται ο Τεχνικός και εξοικονομείτε χρόνο και χρήμα.

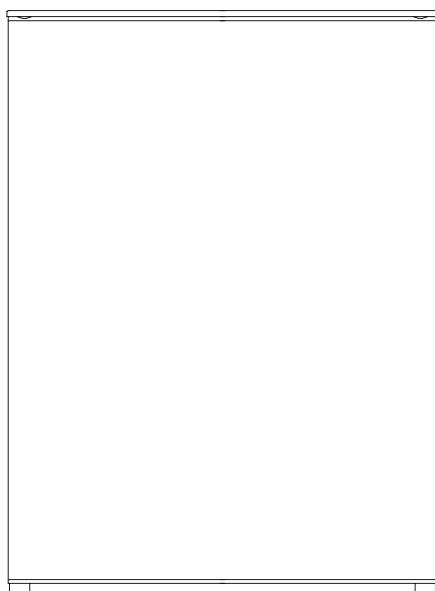
### Επέκταση Εγγύησης Καινούργιας Συσκευής

Αν έχετε αγοράσει μια Καινούργια Οικιακή Συσκευή του Ομίλου Candy μπορείτε, εντός 30 ημερών από την ημερομηνία αγοράς της να επεκτείνετε την Εργοστασιακή Εγγύηση σε 5 Χρόνια. Έτσι εξασφαλίζετε την ξένοιαστη και απρόσκοπτη λειτουργία της συσκευής σας με εγγύηση που καλύπτει Εργασία και Ανταλλακτικά.

# **CANDY**

**HLADNJAK**

**UPUTE ZA UPORABU**



Poštovani korisnici,

Prije nego počnete koristiti vaš novi hladnjak molimo da pažljivo pročitate ove upute za uporabu. Ova knjižica sadrži važne podatke za sigurno korištenje, instalaciju i održavanje uređaja.

Pažljivo čuvajte ovu knjižicu jer će vam trebati i ubuduće, vama ili mogućem novom vlasniku.

Napomene koje su važne za vašu sigurnost ili pravilan rad uređaja istaknute su znakom trokuta upozorenja i / ili riječima (**Upozorenje!**, **Napomena!**, **Značajno!**).

Dodatne informacije vezane uz uporabu i praktičnu primjenu uređaja slijede nakon znaka ili riječi upozorenja.


Savjeti i napomene koje se odnose na ekonomično i ekološki prihvatljivo korištenje uređaja označeni su znakom lista djeteline.

Upute i savjeti koji vam mogu pomoći pri uklanjanju eventualnih nepravilnosti u radu uređaja nalaze se u odlomku „Uklanjanje manjih problema u radu“. Ako te upute nisu dovoljne, molimo da se obratite ovlaštenom Candy servisu.



## Sadržaj

<b>Informacije o sigurnosti i predostrožnosti .....</b>	<b>3</b>
<b>Uklanjanje ambalaže.....</b>	<b>11</b>
<b>Instalacija hladnjaka .....</b>	<b>11</b>
<b>Ugradnja hladnjaka.....</b>	<b>11</b>
<b>Promjena smjera otvaranja vrata.....</b>	<b>14</b>
<b>Smještaj hladnjaka .....</b>	<b>15</b>
<b>Opis hladnjaka .....</b>	<b>15</b>
<b>Uključivanje hladnjaka i podešavanje temperature .....</b>	<b>15</b>
<b>Pribor hladnjaka .....</b>	<b>16</b>
<b>Čišćenje i održavanje.....</b>	<b>17</b>
<b>Savjeti za štednju energije.....</b>	<b>17</b>
<b>Uklanjanje manjih problema u radu .....</b>	<b>18</b>
<b>Zamjena žarulje .....</b>	<b>19</b>
<b>Šumovi tijekom rada hladnjaka .....</b>	<b>19</b>
<b>Propisi, standardi, odredbe.....</b>	<b>19</b>
<b>Odlaganje starog električnog uređaja .....</b>	<b>20</b>

 Ovaj uređaj je u skladu sa sljedećim Europskim smjernicama : 2006/95/EC i 2004/108/EC i 2009/125/EC i EC.643/2009 i 2002/96/EC



## INFORMACIJE O SIGURNOSTI I PREDOSTROŽNOSTI

Za vašu sigurnost i ispravnu upotrebu, prije instalacije i prve upotrebe uređaja, pažljivo proučite priručnik s uputstvima, uključujući savjete i upozorenja. Kako biste izbjegli nepotrebne pogreške i nezgode, važno je da uređaj koriste osobe u potpunosti upoznate s njegovim načinom rada i sigurnosnim značajkama. Pohranite ova uputstva uz uređaj u slučaju selidbe ili prodaje, kako biste bili pravovaljano informirani o pravilnoj upotrebi i sigurnosti tijekom cjelokupnog radnog vijeka uređaja.

Za sigurnost ljudi i imovine, pridržavajte se navedenih uputa za upotrebu budući se proizvođač ne smatra odgovornim za štetu nastalu nepravilnim rukovanjem.

### **Sigurnost djece i ostalih ugroženih osoba**

Ovaj uređaj mogu koristiti djeca sa navršениh 8 godina starosti i osobe sa smanjenim fizičkim, osjetilnim i mentalnim sposobnostima ili nedostatkom iskustva ili znanja, ukoliko su pod nadzorom ili su upućene u korištenje uređaja na siguran način i razumiju moguće opasnosti. Djeca se ne smiju igrati s uređajem. Čišćenje i održavanje uređaja ne smiju vršiti djeca bez nadzora.

Držite ambalažu dalje od djece budući da postoji rizik od gušenja. Ukoliko odlažete uređaj, isključite utikač iz utičnice, presijecite priključni kabel (što je moguće bliže

uređaju) i uklonite vrata kako biste zaštitili djecu od električnog udara ili zatvaranja unutar uređaja.

Ako ovaj uređaj, uz magnetsku vratnu brtvu, zamjenjuje stariji uređaj s opružnom bravom (kvaka) na vratima, pobrinite se da je opruga brave neupotrebljiva prije odlaganja starog uređaja. Time ćete spriječiti da postane smrtonosna zamka za djecu.

### **Opće sigurnosne značajke**

**UPOZORENJE** - Ovaj proizvod namijenjen je isključivo za kućansku upotrebu i slične primjene poput :

- u kuhinjama za osoblje u prodavaonicama, uredima i ostalim radnim prostorima
- na gospodarstvima, za goste hotela, motela i u ostalim prostorima stambenog tipa
- u prenoćištima
- za usluge cateringa i slične primjene osim maloprodaje

**UPOZORENJE** - Ne pohranjujte eksplozivne tvari poput aerosol sprejeva sa zapaljivim sadržajem u ovaj uređaj.

**UPOZORENJE** - Oštećeni strujni kabel mora zamijeniti ovlašteni servis.

**UPOZORENJE** - Pazite da ventilacijski otvori unutar kućišta uređaja ili unutar ograđene strukture, budu bez ikakvih prepreka.

**UPOZORENJE** - Ne koristite mehaničke naprave ili druge načine ubrzavanja procesa odmrzavanja, osim onih

preporučenih od strane proizvođača.

**UPOZORENJE** - Ne oštećujte sustav hlađenja.

**UPOZORENJE** - Ne koristite električne uređaje u unutrašnjosti odjeljaka, osim ako proizvođač nije odobrio takve primjene.

**UPOZORENJE** - Puniti samo sa pitkom vodom (samo kod uređaja s dozatorom za vodu)

**UPOZORENJE** - Rashladni i izolacijski plin su zapaljivi. Za odlaganje uređaja, koristite isključivo ovlaštena odlagališta otpada. Ne izlažite plamenu.

**UPOZORENJE** - Kako biste izbjegli rizik koji proizlazi iz nestabilnosti uređaja, isti mora biti postavljen u skladu s uputama. (samo kod ugradbenih uređaja)

## **Rashladni plin**

Sustav hlađenja uređaja sadrži rashladni plin izobutan (R600a), prirodni plin koji je, iako ima veliku kompatibilnost s okolinom, ipak zapaljiv. Pazite da prilikom transporta i instalacije uređaja ne oštetite nijedan dio sustava hlađenja.

Rashladni plin (R600a) je zapaljiv.



### **Oprez : Opasnost od požara**

Ukoliko dođe do oštećenja sustava hlađenja :

- Izbjegavajte otvoreni plamen i izvore vatre.
- Temeljito prozračite prostoriju u kojoj je uređaj smješten.

Opasno je mijenjati značajke ili preinačiti ovaj uređaj na bilo koji način.

Bilo koje oštećenje kabla može uzrokovati kratki spoj, požar i/ili strujni udar.



## **Sigurnost električnog sustava**

1. Strujni kabel ne smije se produžavati.
2. Pazite da ne oštetite utikač. Oštećeni utikač se može pregrijati i uzrokovati požar.
3. Pripazite da glavni utikač uređaja bude lako dostupan.
4. Ne potežite glavni kabel.
5. Ukoliko utičnica nije učvršćena, ne stavljajte utikač. Postoji opasnost od strujnog udara ili požara.
6. Ne smijete koristiti uređaj bez navlake žarulje unutrašnjeg osvjetljenja.
7. Ovaj uređaj može biti spojen samo na izvor jednofazne izmjenične električne struje od 220-240 V / 50 Hz. U slučaju oscilacija gdje napon prelazi gore navedeni raspon, iz sigurnosnih razloga, priključite uređaj na automatski regulator napona izmjenične struje jači od 350 W. Uređaj mora biti imati posebnu utičnicu umjesto da je dijeli s ostalim električnim uređajima. Utikač uređaja mora odgovarati utičnici s uzemljenjem.

## **Svakodnevna upotreba**

Ne pohranjujte zapaljive plinove ili tekućine u uređaju. Postoji opasnost od eksplozije.

Ne koristite električne aparate unutar uređaja (primjerice, aparate za sladoled, miješalice, itd.)

Prilikom isključivanja, uvijek povucite utikač iz glavne utičnice. Ne potežite kabel.

Ne postavljajte vruće uređaje blizu plastičnih dijelova uređaja.

Ne postavljajte hranu izravno uz ispušni otvor na stražnjoj strani. (samo kod NO FROST ili FROST FREE uređaja)

Pohranite prethodno zapakiranu smrznutu hranu u skladu s navedenim uputama proizvođača.

Strogo se pridržavajte uputa proizvođača o pohrani. Potražite odgovarajuće upute.

Ne postavljajte gazirana ili pjenušava pića u odjeljak ledenice čime dolazi do stvaranja pritiska, što može dovesti do eksplozije, uzrokujući štetu na uređaju.

Smrznuta hrana može uzrokovati ozeblina ukoliko se konzumira odmah nakon vađenja iz uređaja.

Ne izlažite uređaj izravnoj sunčevoj svjetlosti.

Držite zapaljene svijeće, svjetiljke i ostale predmete s otvorenim plamenom dalje od uređaja kako ga ne bi zapalili.

Uređaj je namijenjen pohrani namirnica i/ili pića u kućanstvu kao pojašnjeno u uputama za korištenje. Uređaj je težak. Pazite prilikom pomicanja.

Ne dodirujte hranu iz odjeljka ledenice ukoliko su vam ruke vlažne/mokre, budući da to može uzrokovati ogrebotine ili ozeblina na koži.

Nikada ne koristite uređaj ili njegove dijelove poput ladica,

vrata, itd. za stajanje ili potporu.

Jednom odmrznuta hrana ne smije se više zamrzavati. (ne odnosi se na uspravne ledenice)

Ne postavljajte boce ili limenke (posebno gazirana pića) u odjeljak ledenice, budući da se mogu rasprsnuti. (ne odnosi se na uspravne ledenice)

Ne konzumirajte sladoled ili kockice leda odmah nakon vađenja iz ledenice budući da mogu uzrokovati ozeblina. (ne odnosi se na uspravne ledenice)

Kako bi izbjegli padanje namirnica i oštećenje uređaja, ne stavljajte previše namirnica na police na vratima ili u ladice. (ne odnosi se na ledenice)

Nikada ne pokrivajte ventilacijske otvore na uređaju. (samo kod ugradbenih uređaja)

## **Oprez!**

### **Čišćenje i održavanje**

Prije održavanja, ugasi uređaj i isključite glavni utikač iz utičnice.

Ne čistite uređaj metalnim predmetima, parnim čistačima, eterskim uljima, organskim otapalima ili abrazivnim sredstvima.

Ne koristite oštre predmete za uklanjanjeinja/leda s uređaja.

### **Instalacija – Važno!**

Za električno spajanje, pažljivo pratite upute navedene u

ovom priručniku.

Raspakirajte uređaj i provjerite ima li oštećenja. Ne spajajte uređaj ukoliko je oštećen. Odmah prijavite prisutna oštećenja trgovini u kojoj ste ga kupili. U tom slučaju, zadržite svu ambalažu.

Preporučljivo je pričekati barem četiri sata prije spajanja uređaja kako bi omogućili strujanje rashladnog plina natrag u kompresor.

Osigurajte odgovarajuću cirkulaciju zraka oko uređaja, u suprotnom može doći do pregrijavanja. Kako bi postigli dostatnu ventilaciju, pratite odgovarajuće upute.

Kad god je moguće, stražnji dio uređaja treba biti uz zid kako bi izbjegli dodirivanje zagrijanih dijelova (kompresor, kondenzator) i spriječili opasnost od požara; pratite odgovarajuće upute za instalaciju.

Uređaj ne smije biti smješten u blizini radijatora ili uređaja za kuhanje.

Pazite da glavni utikač bude dostupan nakon instalacije uređaja.

## **Servis**

Svako električno održavanje uređaja treba biti izvedeno od strane stručnog električara ili ovlaštenog servisera.

Ovaj uređaj mora održavati ovlaštena servisna služba te se smiju koristiti samo originalni rezervni dijelovi.

- 1) Ukoliko je uređaj Frost Free.
- 2) Ukoliko uređaj sadrži odjeljak ledenice.



**U slučaju kvara**

U slučaju kvara ili neispravnog rada hladnjaka, molimo da prvo pogledate odlomak „Uklanjanje manjih problema u radu“. Ako vam podaci navedeni u tom odlomku ne mogu pomoći, molimo da ne pokušavate samostalno popravljati hladnjak.

Ni pod kojim uvjetima nemojte samostalno popravljati hladnjak. Popravci izvedeni od strane neiskusne/nestručne osobe mogu izazvati ozljede ili ozbiljan kvar. Za popravke uređaja obratite se isključivo ovlaštenom Candy servisu.

## Uklanjanje ambalaže

Vanjski i unutarnji dijelovi hladnjaka imaju transportnu zaštitu. Uklonite ljepljivu traku sa lijeve i desne strane vrata. Eventualne ostatke ljepljive trake možete ukloniti čistim alkoholom. Uklonite sve preostale dijelove ambalaže sa vanjskih i unutarnjih dijelova hladnjaka.

## Instalacija hladnjaka

### Mjesto instalacije

Prije instalacije pažljivo pročitajte upute kako bi izbjegli probleme.

**UPOZORENJE:** da izbjegnute opasnost zbog nestabilnog položaja hladnjaka, riješite to prema sljedećim uputama:

## Ugradnja hladnjaka

Mjere udubine za ugradnju u kuhinjski element:

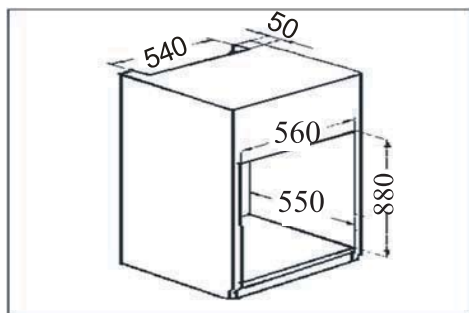
Visina mm min 880

Dubina mm min 550

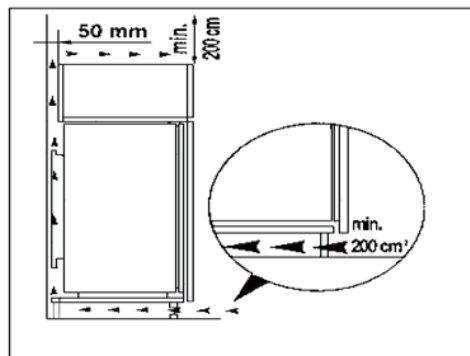
Širina mm min 560

Neophodno je da na kuhinjskom elementu osigurate otvore za ventilaciju sljedećih mjera:

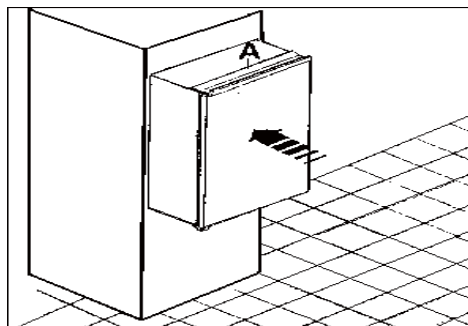
- dubina 50mm
- širina 540 mm



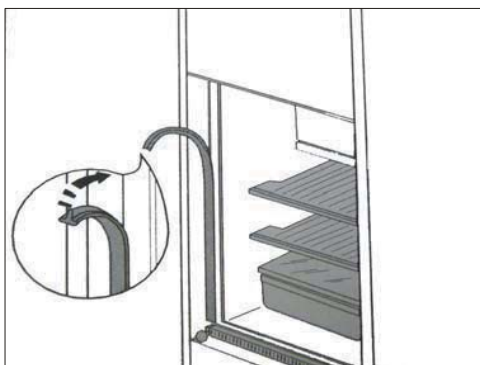
Za izvedbu odgovarajuće ventilacije, pogledajte nižu sliku:



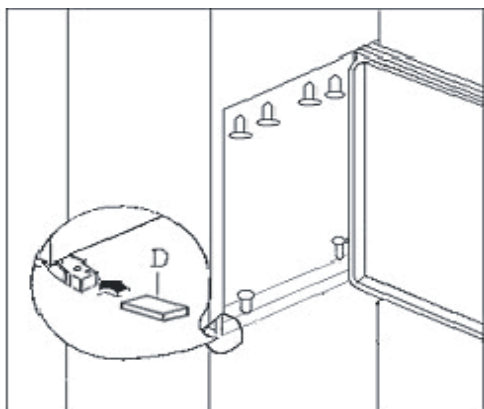
1. Gurnite hladnjak u kućište kuhinjskog elementa sve dok zaustavne oznake (A) ne dodirnu rub kuhinjskog elementa.



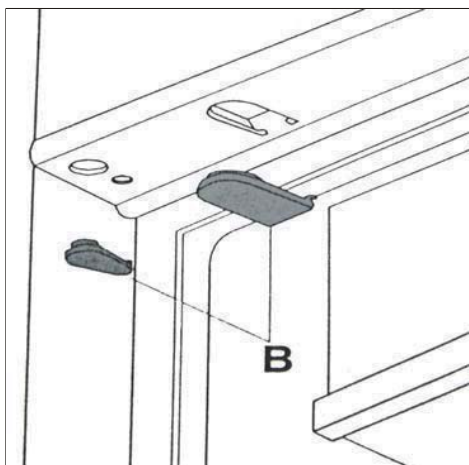
2. Utisnite spojne poklopce između uređaja i kuhinjskog elementa (samo na strani bez šarki).



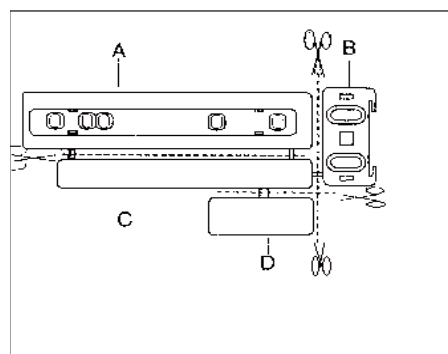
**3.** Otvorite vrata i gurnite hladnjak prema strani kuhinjskog elementa suprotno od šarki uređaja. Učvrstite hladnjak pomoću 6 isporučenih vijaka. Namjestite poklopce šarki u ispravan položaj (D).



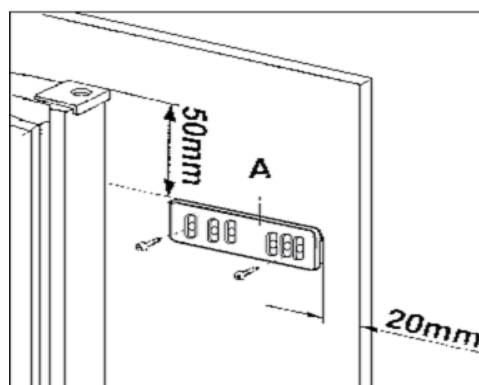
**4.** Utisnite poklopce (B) kako je prikazano.



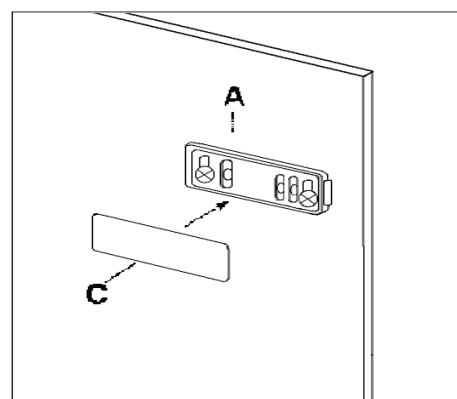
**5.** Odvojite dijelove A,B,C,D kako je prikazano na slici.



**6.** Postavite vodilice (A) na bočni dio vrata kuhinjskog elementa, gore i dole kako je prikazano na slici i označite položaj vanjskih rupica. Nakon što ste izbušili rupice, učvrstite vodilice pomoću isporučenih vijaka.

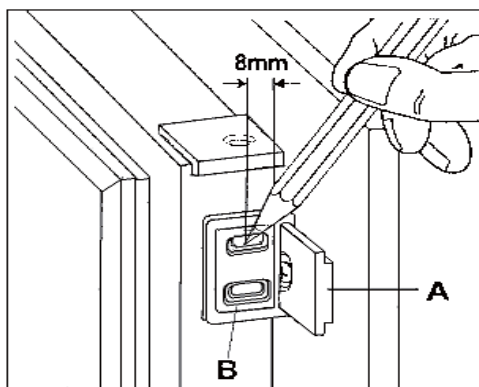


**7.** Učvrstite poklopac (C) na vodilicu (A) sve dok ne sjedne na mjesto.

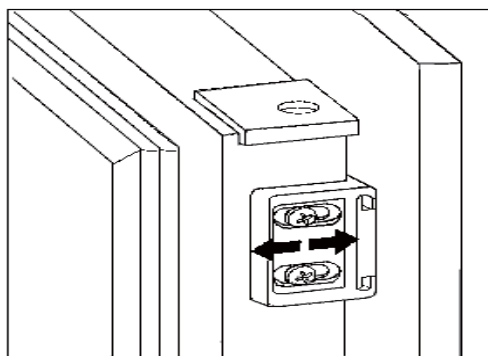


**8.** Otvorite vrata hladnjaka i vrata kuhinjskog elementa za 90°. Umetnite

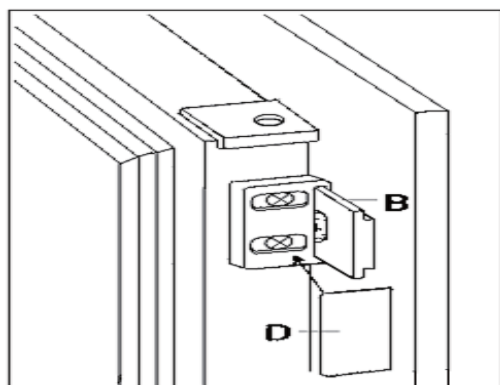
mali četverkutni dio (B) u vodilicu (A). Gurnite zajedno vrata hladnjaka i vrata kuhinjskog elementa i označite rupicu kako je prikazano na slici, uklonite četverkutni dio i izbušite rupicu  $\varnothing 2$  mm na 8 mm od vanjskog ruba vrata. Ponovno postavite mali četverkutni dio na vodilicu i učvrstite pomoću isporučених vijaka.



**9.** Ako je neophodno poravnati vrata kuhinjskog elementa, koristite zazor utora. Na kraju postupka neophodno je provjeriti da se vrata kuhinjskog elementa ispravno zatvaraju.



**10.** Učvrstite poklopac (D) na vodilicu (B) sve dok ne sjedne na mjesto.



## Promjena smjera otvaranja vrata

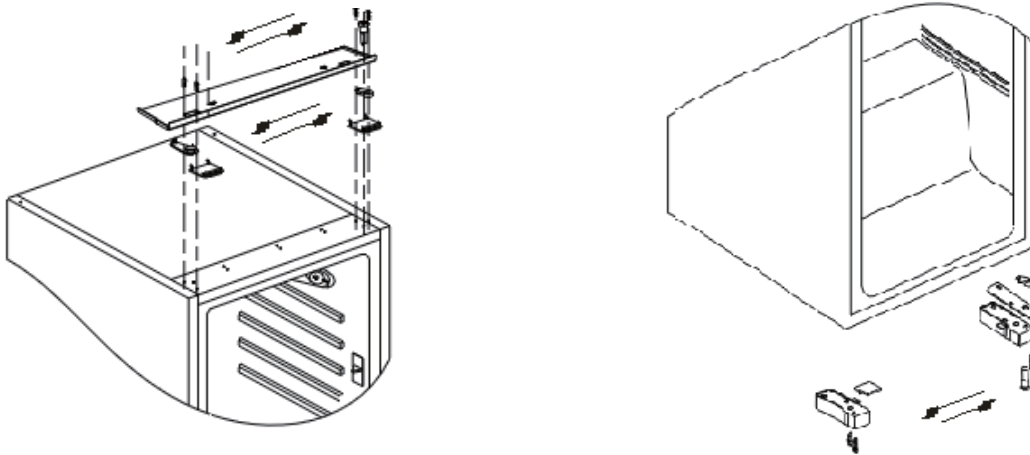
Smjer otvaranja vrata hladnjaka može se promijeniti sa desne strane (kako je hladnjak isporučen) na lijevu stranu ako to mjesto postave hladnjaka zahtijeva.

### Upozorenje!

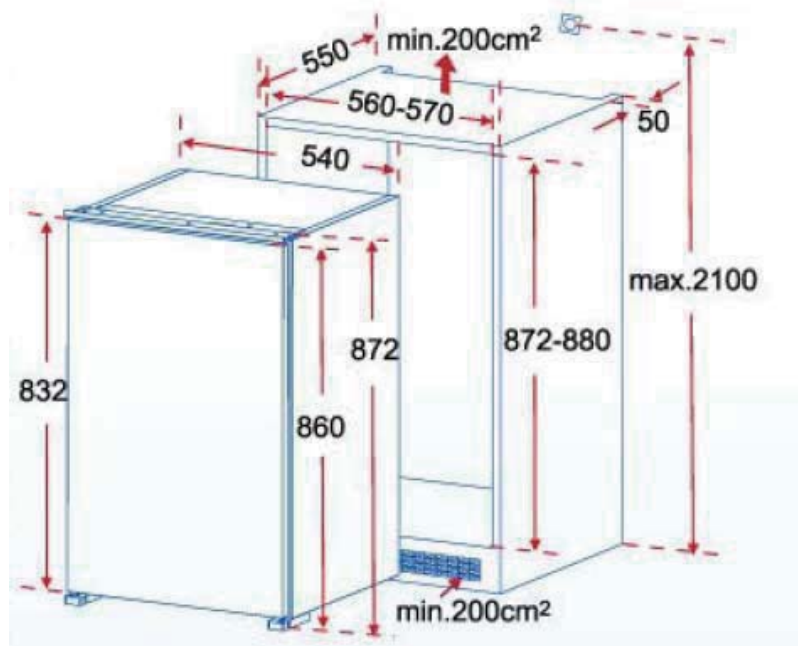
Kada mijenjate smjer otvaranja vrata, hladnjak mora biti odpojen sa električnog napajanja. Odpojte utikač iz zidne utičnice.

Smjer otvaranja vrata hladnjaka može se promijeniti sa desne strane (kako je hladnjak isporučen) na lijevu stranu ako to mjesto postave hladnjaka zahtijeva. Nagnite hladnjak malo prema stražnjem dijelu i poduprite zbog sigurnosti. Odvrnite vijke šarki vrata i uklonite zatik na spojnom zglobu šarki. Malo otvorite vrata i prihvatite ih prema dole.

Odvrnite gornji zatik i zavrnite ga na mjesto na suprotnoj strani. Namjestite vrata na gornji zatik i zatvorite ih. Pomoću odvijača čvrsto zavrnite zatik spojnog zgloba šarki na mjesto na suprotnoj strani.



### Tehnička shema



## Smještaj hladnjaka

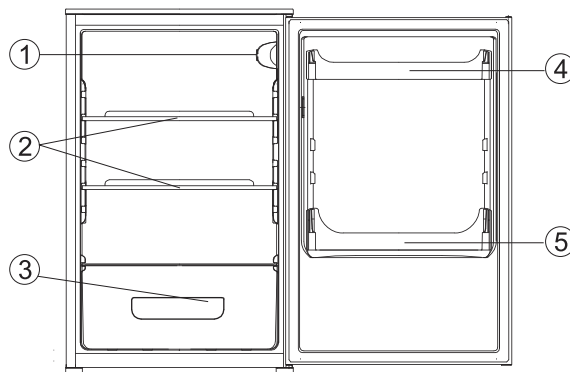
Smjestite hladnjak što dalje od izvora topline kao što su štednjaci, radijatori, izravno svjetlo sunca itd. Najbolji radni učinak i siguran rad uređaja osigurani su održavanjem ispravne temperature prostorije u koju je hladnjak smješten a prema klimatskoj kategoriji hladnjaka koja je navedena na pločici s tehničkim podacima.

kimatska kategorija hladnjaka	temperatura prostorije
SN	10~32°C
N	16~32°C
ST	16~38°C
T	16~43°C

Hladnjak će najbolje raditi između N do ST

Hladnjak ne smije biti izložen vremenskim utjecajima (kiša, sunce). Sa stražnje strane hladnjaka uvijek mora biti osigurana dobra cirkulacija zraka. Slaba cirkulacija zraka može imati loš utjecaj na radni učinak hladnjaka. Ugradbene uređaje također treba smjestiti podalje od izvora topline i izravnog svjetla sunca.

## Opis hladnjaka



1. gumb za podešavanje temperature
2. police
3. spremnici za voće i povrće
4. odjeljak za maslac/sir sa poklopcem i držač za jaja
5. polica za boce

## Uključivanje hladnjaka i podešavanje temperature

Spojite utikač električnog kabla u zidnu uti

Kada su vrata hladnjaka otvorena, uklju

Gumb za podešavanje temperature nalazi se na desnoj gornjoj strani unutrašnjosti hladnjaka.

čnicu koja mora imati vod za uzemljenje.

**Položaj „0“ znači:**

čeno je svjetlo u unutrašnjosti hladnjaka.

- hladnjak je isključen.

Da uključite hladnjak okrenite gumb za podešavanje temperature udesno, daljnji rad odvija se automatski.

**Posložaj „1“ znači:**



Viša temperatura, toplije postavke.

### **Položaj 7 (end-stop) znači:**

Niža temperatura, hladnije postavke.

Ako je temperatura prostorije oko 16° C odaberite položaj „1“. Ako je temperatura prostorije oko 25° C odaberite položaj „2“. Ako je potrebna još niža temperatura, odaberite položaj „3“ ili „4“.

### **Upozorenje!**

Visoka temperatura prostorije (npr. vrući ljetni dani) i hladnije postavke gumba za podešavanje temperature (položaji „6“ do „7“) mogu biti uzrok neprekidnog rada kompresora.

Razlog: kada je temperatura prostorije u koju je smješten hladnjak visoka, kompresor mora raditi neprekidno da održi nisku temperaturu u hladnjaku.

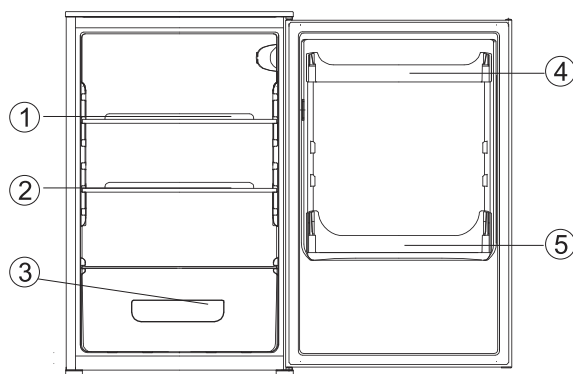
## **Pribor hladnjaka**

### **Spremnici/žičane police**

Stakleni ili plastični spremnici i žičane police isporučene su uz ovaj hladnjak – kombinacije pribora razlikuju se zavisno o modelu hladnjaka.

Policama iznad spremnika za voće i povrće moguće je mijenjati visinu, klizno izvucite policu i odaberite viši ili niži položaj.

### **Ispravno čuvanje hrane**



1. Meso, salame, hladni naresci, mliječni proizvodi
2. Gotova jela, kolači
3. Sirevi, voće i povrće
4. Konzerve, hrana u staklenkama
5. Pića

### **Savjeti:**

Hranu koju namjeravate čuvati u hladnjaku uvijek poklopite ili zamotajte, time ćete spriječiti gubljenje vlage i miješanje mirisa različite hrane.

Sljedeći materijali su odgovarajući za čuvanje hrane :

Plastične vrećice i folija,

Plastični spremnici s poklopcem,

Posebni plastični poklopci s brtvom,

Aluminijska folija.

### **Isključivanje hladnjaka**

Da isključite hladnjak, okrenite gumb za podešavanje temperature na položaj "0".

#### **Ako hladnjak ne namjeravate koristiti duže vrijeme:**

Izvadite iz hladnjaka svu hranu.

Isključite hladnjak tako da gumb za podešavanje temperature okrenete na položaj "0".

Odpojte utikač iz zidne utičnice.

Dobro operite hladnjak (pogledajte odlomak: „Čišćenje i održavanje“)

Vrata hladnjaka ostavite otvorenima da spriječite stvaranje neugodnih mirisa.

### **Čišćenje i održavanje**

Iz higijensko zdravstvenih razloga unutrašnjost hladnjaka i pribor (police i spremnici) potrebno je redovito čistiti.

#### **Upozorenje!**

Tijekom čišćenja ili održavanja, hladnjak ne smije biti spojen na električnu mrežu.

Opasnost od električnog udara! Prije radova na čišćenju ili održavanju hladnjaka uvijek isključite uređaj i odpojte utikač iz zidne utičnice ili odpojte osigurač. Nikada nemojte čistiti hladnjak pomoću uređaja na paru. Vлага se može nakupiti na električnim dijelovima i izazvati električni udar! Vruća para može oštetiti plastične dijelove hladnjaka.

Prije ponovnog uključivanja, hladnjak mora biti potpuno suh.

#### **Značajno!**

Eterična ulja i organska otapala, npr. sok limuna ili sok od kore naranče, maslačna kiselina i sredstva za čišćenje koja sadrže octenu kiselinu mogu oštetiti plastične dijelove hladnjaka. Pazite da takve tvari ne dođu u dodir s dijelovima hladnjaka.

Za čišćenje hladnjaka također nemojte koristiti oštra/gruba sredstva za čišćenje.

Izvadite svu hranu iz hladnjaka, dobro je umotajte i pohranite na hladno mjesto.

Isključite hladnjak i odpojte utikač iz zidne utičnice ili odpojte osigurač.

Vanjske i unutarnje dijelove te pribor hladnjaka operite mekanom krpom i mlakom vodom. Možete koristiti i specijalizirana sredstva koja možete nabaviti u trgovačkoj mreži. Nakon čišćenja isperite i u potpunosti osušite hladnjak.

Prašina koja se nakupi na sklopu za hlađenje na stražnjoj strani uređaja može povećati potrošnju električne energije. Iz tog razloga, bar jedanput godišnje pažljivo očistite nakupljenu prašinu pomoću mekane četke.

Provjerite otvor za ispuštanje vode nastale odleđivanjem koja se nalazi na stražnjoj unutarnjoj stijenci hladnjaka.

Ako je otvor za ispuštanje vode začepljen, očistite ga pomoću malog zelenog štapića koji je kao pribor isporučen uz hladnjak.

Nakon što ste očistili i osušili hladnjak možete ga ponovno uključiti.

### **Savjeti za štednju energije**

Nemojte postaviti hladnjak u blizini štednjaka, radijatora ili drugih izvora topline. Zbog visoke okolne temperature kompresor će raditi duže i češće. Osigurajte dobru cirkulaciju zraka pri dnu hladnjaka i sa stražnje strane. Pazite da otvori za zrak na uređaju nisu nikada zapriječeni. Ne stavljajte u hladnjak vruću hranu, pustite da se hrana potpuno ohladi. Vrata hladnjaka otvarajte samo kada je zaista potrebno. Ne postavljajte gumb za podešavanje temperature na viši (hladniji) položaj nego je zaista potrebno. Dijelovi sustava za hlađenje na stražnjoj strani hladnjaka (metalne rešetke) moraju uvijek biti čisti.



## Uklanjanje manjih problema u radu

### Rezervni dijelovi:

Sljedeći rezervni dijelovi mogu se nabaviti u ovlaštenom Candy servisu i možete ih ugraditi sami bez posebnog iskustva i znanja:

- odjeljak za maslac/sir,
- držač za jaja,
- ručica vrata,
- spremnik za voće i povrće,
- police.

Neprotavan rad hladnjaka često može biti uzrokovan samo manjim nedostatkom koji možete ispraviti samostalno pomoću sljedećih uputa. Nemojte izvoditi dodatne radove ili pokušati samostalno popravljati hladnjak ako vam sljedeće informacije nisu pomogle zbog vašeg posebnog slučaja.

### Značajno!

Popravak hladnjak mora se povjeriti isključivo ovlaštenom Candy servisu. Nestručno izveden popravak može biti opasan za korisnika. Ako smatrate da je vašem hladnjaku potreban popravak molimo da se obratite ovlaštenom Candy servisu.

Znak kvara	Mogući razlog	Rješenje
Hladnjak ne radi.	Hladnjak nije uključen.	Uključite hladnjak.
	Utikač nije spojen u zidnu utičnicu ili je spoj labav.	Spojite utikač u zidnu utičnicu.
	Neispravan osigurač.	Provjerite osigurač i po potrebi zamijenite.
	Neispravna zidna utičnica ili strujni vod.	Obratite se kvalificiranom električaru.
Hladnjak previše hladi.	Neprotavan položaj gumba za podešavanje temperature.	Okrenite gumb za podešavanje temperature u ispravan položaj.
Hrana nije hladna.	Temperatura nije ispravno podešena.	Pogledajte odlomak „uključivanje hladnjaka i podešavanje temperature“.
	Vrata hladnjaka su predugo otvorena.	Vrata mogu biti duže otvorena samo kada je zaista potrebno.
	U hladnjak je unutar 24 sata stavljena veća količina tople hrane.	Okrenite gumb za podešavanje temperature na položaj za nisku temperaturu.
	Hladnjak je blizu izvora topline.	Pogledajte upute o postavljanju hladnjaka.
Svjetlo u unutrašnjosti hladnjaka ne radi.	Neispravna žarulja.	Pogledajte odlomak „zamjena žarulje“.
Naslage inja na brtvi vrata.	Brtva vrata nije dovoljno čvrsta (moguće nakon promjene smjera otvaranja vrata)	Lagano zagrijte brtvu vrata pomoću sušila za kosu. I istovremeno je oblikujte prstima tako da što bolje nasjedne.

Neobični zvukovi pri radu.	Hladnjak nije ispravno poravnat.	Ponovno podesite nožice hladnjaka.
	Hladnjak je u dodiru sa stražnjim zidom ili okolnim predmetom.	Malo pomaknite hladnjak.
	Pojedini dijelovi sustava za hlađenje (npr. cijevi) su dodiru sa stražnjim zidom ili okolnim predmetom.	Ako je neophodno, pažljivo savijte taj dio dalje od zida ili predmeta.
Kompresor se ne uključuje odmah nakon promjene postavki temperature.	To je uobičajeno i nije kvar.	Kompresor će se uključiti nakon kraćeg vremena.
Voda na policama ili dnu hladnjaka.	Otvor za odvod vode je začepljen.	Pogledajte odlomak „čišćenje i održavanje“

## Zamjena žarulje

### Upozorenje!

Prije zamjene žarulje u unutrašnjosti hladnjaka, isključite uređaj, odvojite utikač iz zidne utičnice ili odvojite osigurač.

Tehnički podaci žarulje: 220-240 V, max. 15 W

Da isključite hladnjak okrenite gumb za podešavanje temperature na položaj “0” .

Odvojite utikač iz zidne utičnice.

Da zamijenite žarulju odvrnite vijke.

Pritisnite poklopac žarulje i klizno povucite unatrag.

Zamijenite neispravnu žarulju.

Ponovno namjestite poklopac žarulje i zavrnite vijke.

Ponovno uključite hladnjak.

## Šumovi tijekom rada hladnjaka

Sljedeći šumovi uobičajeni su pri radu hladnjaka:

### “Klik“

Uvijek kada se kompresor uključi ili isključi, čuje se „klik“.

### Brujanje

Kada kompresor radi, čuje se brujanje.

### Klokotanje

Kada sredstvo za hlađenje struji kroz sustav, mogu se čuti zvukovi poput klokotanja

### Pljuskanje

Uvijek kada kompresor prestane s radom, moguće je da se čuje takav zvuk.

## Propisi, standardi, odredbe

Ovaj uređaj izrađen je u skladu s EU odredbama:

-2006/95/EC, odredbe o niskom naponu.

-2004/108/EC EMC, direktiva

## Odlaganje starog električnog uređaja

Ovaj uređaj zabranjeno je odlagati kao kućni otpad.

Za odlaganje starog električnog uređaja postoji nekoliko mogućnosti:

1. Odložite stari uređaj na mjesta (reciklažna dvorišta) koje je osigurala nadležna gradska služba.
2. Ako stari uređaj sadrži dijelove koji se mogu iskoristiti, moguće je da vam ga otkupe specijalizirane tvrtke koje se time bave.

Divlje odlaganje električnih kućanskih uređaja u prirodni okoliš najstrože je zabranjeno jer može ugroziti zdravlje zbog opasnih tvari i materijala koji mogu doći u dodir sa zemljom i podvodnim vodama.



Značenje simbola prekrižene kante za odpatke:

Ne odlažite stare električne uređaje kao nesortirani kućni otpad već koristite posebno namijenjena mjesta za tu svrhu. Obratite se nadležnoj gradskoj službi za potrebne informacije. Ako se električni kućanski uređaj odloži u prirodni okoliš, opasne tvari i materijali koje uređaj sadrži mogu doći u dodir sa zemljom i podvodnim vodama a nakon toga u hranu što može ozbiljno ugroziti zdravlje.

Ovaj simbol na proizvodu ili u uputama za uporabu znači da se električna i elektronska oprema nakon završetka radnog vijeka mora odložiti zasebno od kućnog otpada.

Za to postoje posebna mjesta za odlaganje, sakupljanje i daljnje recikliranje.

Za više informacija obratite se nadležnoj službi u vašem gradu.