



DEEBOT **130** PRO OMNI

Instruction Manual

IMPORTANT SAFETY INSTRUCTIONS

IMPORTANT SAFETY INSTRUCTIONS

When using an electrical Appliance, basic precautions should always be followed, including the following:

READ ALL INSTRUCTIONS BEFORE USING THIS APPLIANCE

SAVE THESE INSTRUCTIONS

1. The Appliance is not intended for use by persons(including children)with reduced physical, sensory or mental capabilities, or lack of experience and knowledge, unless they have been given supervision or instruction concerning use of the Appliance by a person responsible for their safety.
2. Clear the area to be cleaned. Remove power cords and small objects from the floor that could entangle the Appliance. Tuck rug fringe under the rug base, and lift items such as curtains and tablecloths off the floor.
3. If there is a drop off in the cleaning area due to a step or stairs, you should operate the Appliance to ensure that it can detect the step without falling over the edge. It may become necessary

to place a physical barrier at the edge to keep the unit from falling. Make sure the physical barrier is not a trip hazard.

4. Only use as described in this manual. Only use attachments recommended or sold by the manufacturer.
5. For INDOOR household use ONLY. Do not use the Appliance in outdoor, commercial or industrial environments.
6. Do not use without dust bin and/or filters in place.
7. Do not operate the Appliance in an area where there are lit candles or fragile objects.
8. Keep hair, loose clothing, fingers, and all parts of body away from any openings and moving parts.
9. Do not operate the Appliance in a room where an infant or child is sleeping.
10. Do not use Appliance on wet surfaces or surfaces with standing water.
11. Do not allow the Appliance to pick up large objects like stones, large pieces of paper or any item that may clog the Appliance.
12. Do not use Appliance to pick up flammable or combustible materials such as gasoline, printer or copier toner, or use in areas where they may be present.

13. Do not use Appliance to pick up anything that is burning or smoking, such as cigarettes, matches, hot ashes, or anything that could cause a fire.
14. Do not put objects into the suction intake. Do not use if the suction intake is blocked. Keep the intake clear of dust, lint, hair, or anything that may reduce air flow.
15. If the power cord is damaged, it must be replaced by the manufacturer or its service agent in order to avoid a hazard.
16. Turn OFF the power switch before cleaning or maintaining the Appliance.
17. The lithium battery type suitable for CH2311A is Max. 8 cells, max. nominal voltage DC 14.4V, rated capacity 4,800mAh. The battery must be removed and discarded according to local laws and regulations before disposal of the Appliance.
18. Please dispose of used batteries according to local laws and regulations.
19. Do not incinerate the Appliance even if it is severely damaged. The batteries can explode in a fire.
20. The Appliance must be used in accordance with the directions in this Instruction Manual. Ecovacs Home Service Robotics cannot be held liable or responsible for any damages or injuries caused by improper use.
21. The robot contains batteries that are only replaceable by skilled persons. To replace the robot's battery, please contact Customer Service.
22. Please make sure your power supply source voltage matches the power voltage marked on the OMNI Station.
23. Use only the original rechargeable battery and OMNI Station provided with the Appliance from the manufacturer. Non-rechargeable batteries are prohibited.
24. Take care not to damage the power cord. Do not pull on or carry the Appliance or OMNI Station by the power cord, use the power cord as a handle, close a door on the power cord, or pull power cord around sharp edges or corners. Do not run Appliance over the power cord. Keep power cord away from hot surfaces.
25. Do not use the OMNI Station if it is damaged. The power supply is not to be repaired and not to be used any longer if it is damaged or defective.
26. Do not use with a damaged power cord or

receptacle. Do not use the Appliance or OMNI Station if it is not working properly, has been dropped, damaged, left outdoors, or come in contact with water. It must be repaired by the manufacturer or its service agent in order to avoid a hazard.

27. The plug must be removed from the receptacle before cleaning or maintaining the OMNI Station.
28. Remove the Appliance from the OMNI Station, and turn OFF the power switch to the Appliance before removing the battery for disposal of the Appliance.
29. When not using the OMNI Station for a long period of time, please unplug it.
30. If the robot will not be used for a long time, power OFF the robot for storage and unplug the OMNI Station.
31. **WARNING**-Add clean water into the clean tank only.
32. **WARNING:** For the purposes of recharging the battery, only use the detachable supply unit CH2311A provided with the Appliance.








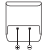
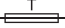
To satisfy RF exposure requirements, a separation distance of 20 cm or more should be maintained between this device and persons during device operation.

To ensure compliance, operations at closer than this distance is not recommended. The antenna used for this transmitter must not be co-located in conjunction with any other antenna or transmitter.

Device Update

Typically, some devices are updated bi-monthly, but not always so specific.

Some devices, especially those that went on sale more than three years ago, will only be updated if a critical vulnerability is found and fixed.

	Caution: hot surface
	Short-circuit-proof safety isolating transformer
	Switch mode power supply
	For indoor use only
	Direct current
	Alternating current
	Before charging, read the instructions.
	Polarity of the charging port
	Time-lag miniature fuse-link

The remote surveillance is for the absolute private use of non-public, private owned places for the pure self-protection and single control intended only. Please be aware of the local data protection based legal obligations in case of use. No surveillance of public places, especially with clandestine intent and/or on the part of the employer without justified reasons. Such not justified use is in the risk and responsibility of the user only.

European Union Compliance Statement Information on Disposal for Users of Waste Electrical & Electronic Equipment



This symbol on the product or on its packaging indicates that used electrical and electronic products should not be mixed with unsorted municipal waste.

For proper treatment, it is your responsibility to dispose of your waste equipment by arranging to return it to designated collection points.

Disposing of this product correctly will help save valuable resources and prevent any potential negative effects on human health and the environment, which could otherwise arise from inappropriate waste handling.

To return your used device, please use the return and collection systems or contact the retailer where the product was purchased, which is free of charge, please contact your local authority for further details of your nearest designated collection point.

Penalties may be applicable for incorrect disposal of this waste, in accordance with your national legislation.

Information on Disposal for Users of used batteries



This symbol means that batteries and accumulators, at their end-of-life, should not be mixed with unsorted municipal waste. Your participation is an important part of the effort to minimize the impact of batteries and accumulators on the environment and on human health. For proper recycling you can return this product or the batteries or accumulators it contains to your supplier or to a designated collection point, which is free of charge.

Disposing of this product correctly will help save valuable resources and prevent any potential negative effects on human health and the environment, which could otherwise arise from inappropriate waste handling.

Penalties may be applicable for incorrect disposal of this waste, in accordance with your national legislation. there are separate collection systems for used batteries and accumulators.

Please, dispose of batteries and accumulators correctly at your local community waste collection/ recycling center.

Restriction of the use of certain hazardous substances (RoHS) Directive

Ecovacs Home Service Robotics Co., Ltd. hereby declares the whole product including parts (cables, cords, and so on) meets the requirements of RoHS Directive 2011/65/EU and amendment Commission Delegated Directive (EU) 2015/863 on the restriction of the use of certain hazardous substances in electrical and electronic equipment ("RoHS recast" or "RoHS 2.0").

Radio Equipment Directive

Ecovacs Home Service Robotics Co., Ltd. hereby declares that the product listed in this section comply with the essential requirements and other relevant provisions of the Radio Equipment Directive 2014/53/EU.

Europe Authorised Representative:

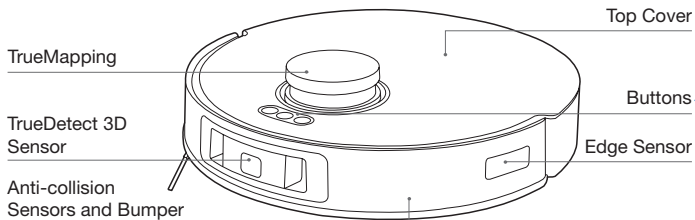


ECOVACS Europe GmbH
Holzstrasse 2 | D-40221 Düsseldorf | Germany




Ecovacs Home Service Robotics Co., Ltd. hereby declares that the product comply with the essential requirements and other relevant provisions of the RoHS Directive 2011/65/EU and amendment Commission Delegated Directive (EU) 2015/863, the Radio Equipment Directive 2014/53/EU. The declaration of conformity can be viewed at the following address: <https://www.ecovacs.com/global/compliance>.

PRODUCT DIAGRAM

Robot

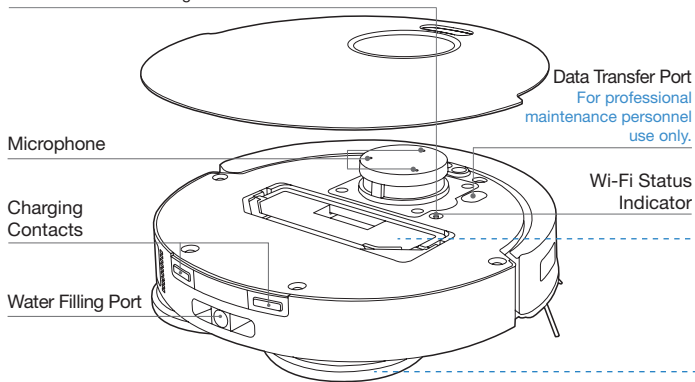


Buttons

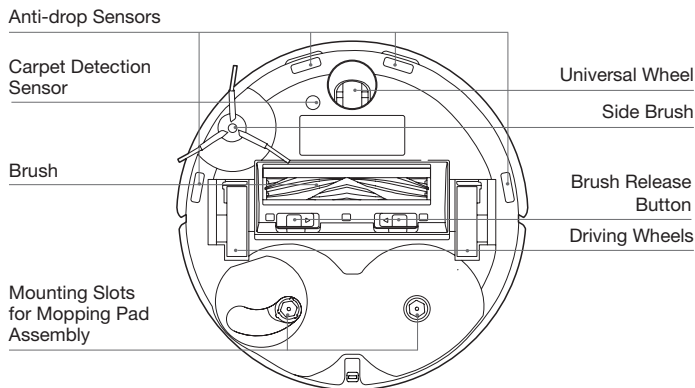
-  Short press: Exit/Return to the Station Long press: Self-clean
-  Short press: Start/Pause/Continue Long press: Power on/Power off
-  Short press: Start/End Spot Cleaning Long press: Child Lock

RESET Button

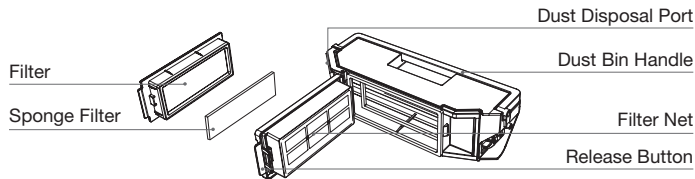
Restore to default settings: Press and hold RESET button for 5 seconds. After you hear the voice prompt, the startup music will be played and the robot will be restored to default settings.



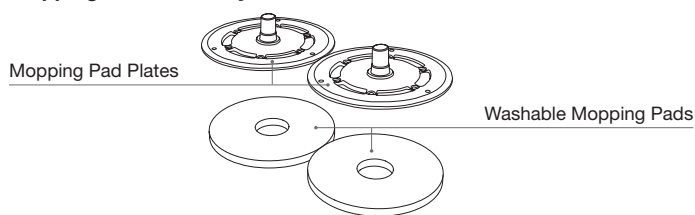
Bottom View



Dust Bin



Mopping Pad Assembly



OMNI Station

Note:

- * If the Light Strip is flashing red, please check the reason in ECOVACS HOME App.
- * If DEEBOT fails to charge, please wipe Charging Contacts with a clean and dry cloth.

Clean Water Tank

Light Strip

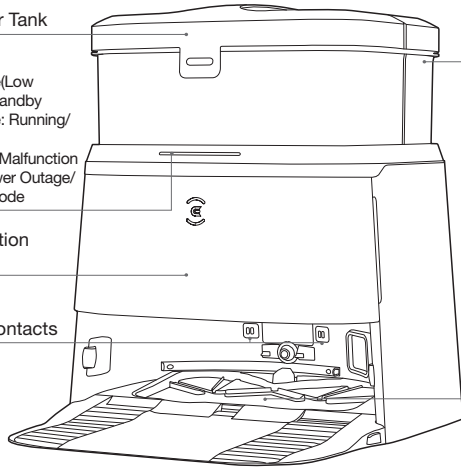
Glowing White(Low
brightness): Standby
Glowing White: Running/
Self-clean
Flashing Red: Malfunction
Goes out: Power Outage/
Deep Sleep Mode

Dust Collection
Cabin

Charging Contacts

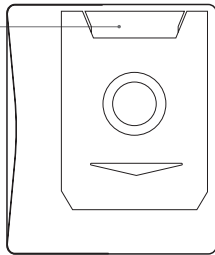
Dirty Water
Tank

Cleaning
Sink



Dust Bag

Dust Bag Handle

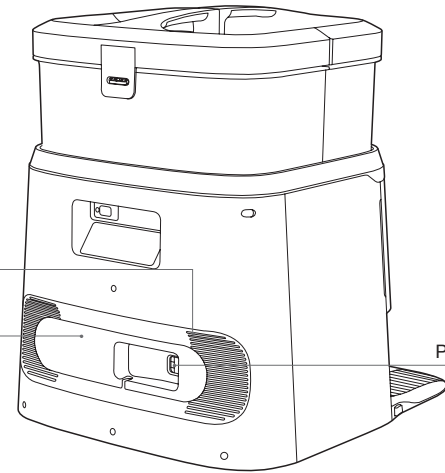


OMNI Station(Back)

Air Vent

Cable Trunking

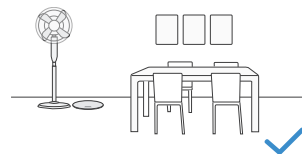
Power Socket



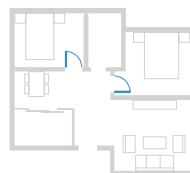
SENSORS

Name	Functional Description
TrueMapping	By utilizing the principle of triangulation, which involves emitting and receiving laser beams reflected by surrounding objects, precise distance measurement information between the DEEBOT and nearby objects can be calculated through algorithms. When the DEEBOT moves within a certain environment, the positions of surrounding objects are determined to create a spatial map of the DEEBOT's surroundings. The measurement range is 8 meters.
TrueDetect 3D Sensor	The TrueDetect 3D structured light sensor scans the object with a line laser and collect images with a monocular camera, and generates the three-dimensional coordinates of the object through image algorithms to identify the size of the object. The detection distance is 0.35m
Microphone	Vibrating the diaphragm through air by human voice, it can realize Voice Recording and ask DEEBOT to complete the assigned work by Voice Control. Effective wake of 8m.
Anti-drop Sensor	With Infrared Ranging-detecting the distance between the bottom of DEEBOT and ground by Infrared Sensor at the bottom, DEEBOT will not move forward when there are stairs in front or the identified distance exceeds the preset one, realizing the Anti-drop. The trigger distance is 60mm.
Carpet Detection Sensor	The difference in energy of the ultrasonic echo signal on different surfaces is used to identify the floor material and help DEEBOT to adjust the cleaning strategy automatically. Drive frequency 290kHz.
Edge Sensor	By the principle of infrared ranging, the robot detects the distance between itself and objects on its side. When there is a wall or obstacle on the right side, the robot performs edge-cleaning operations to avoid missing any spots and collisions.
Anti-collision Sensor	When the transmitted signal is blocked by an obstacle, the signal receiver will not be able to receive the signal. With this principle, DEEBOT will avoid obstacles when colliding with them.

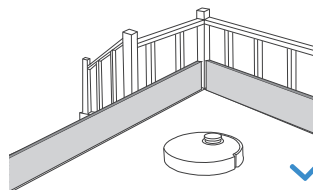
NOTES BEFORE CLEANING



Tidy up the area to be cleaned by putting furniture, such as chairs, in their proper place.



During the first use, make sure each room door is open to help DEEBOT fully explore your house.



It may be necessary to place a physical barrier at the edge of a drop to stop the unit from falling over the edge.



Put away objects including cables, cloths and slippers, etc. on the floor to improve the cleaning efficiency.



Before using the product on a rug with tasseled edges, please fold the rug edges under.



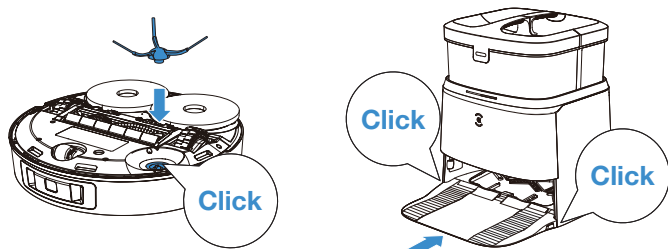
Please do not stand in narrow spaces, such as hallways, and make sure not to block the TrueMapping Distance Sensor.

QUICK START

Before using DEEBOT, please remove all protective materials.

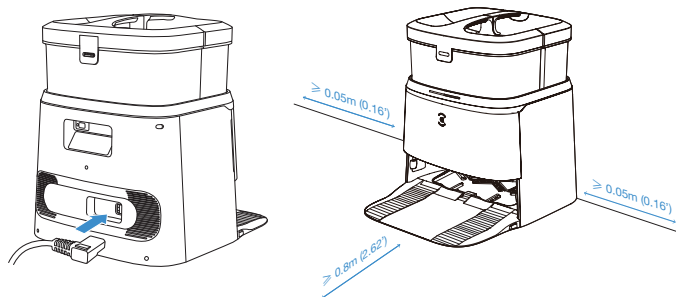
1 Installation

The sound of Click indicates proper installation.



2 Assemble and Place the Station

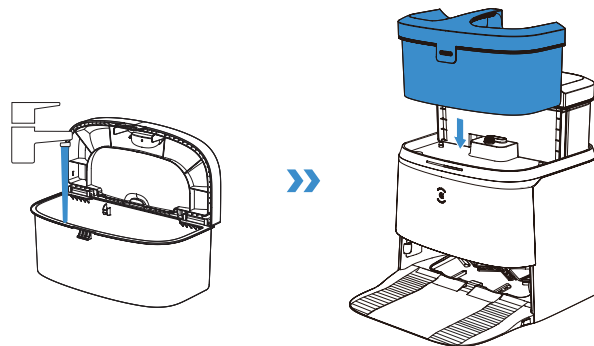
Keep the area around the Station clear of objects especially objects with reflective surfaces.



Note:

- If there are reflective objects such as mirrors and reflective skirting lines near the Station, the bottom 14cm of that should be covered.
- Do not place the Station under direct sunlight.
- It is recommended to place the Station on the hard floor to experience complete functions of the robot.
- Place Station in a location with a strong Wi-Fi signal.

Use Tanks



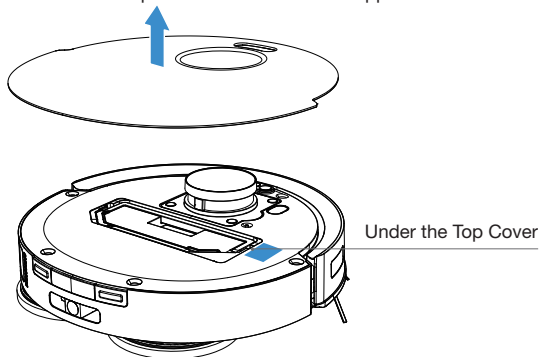
Note:

- * It is recommended to use ECOVACS DEEBOT Cleaning Solution (sold separately). Using other cleaning solution may cause DEEBOT slipping, water tank block and other problems.
- * The water drops in the Water Tank are left over from the function test, please rest assured to use.

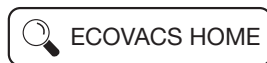
DOWNLOAD THE ECOVACS HOME APP

To enjoy all available features, it is recommended to control your DEEBOT via the ECOVACS HOME App.

1. Scan the QR Code under the Top Cover to download the App.




2. Search the ECOVACS HOME to download the App.



CONNECT DEEBOT WITH APP

1. Via Bluetooth:

Turn on the DEEBOT and mobile phone Bluetooth. Allow the App to obtain mobile phone Bluetooth permission. Tap  to scan the QR Code on DEEBOT or tap

 Add in the App to find nearby DEEBOT.

2. Via Wi-Fi:


You can also choose to connect DEEBOT with the App through other methods according to the prompts on the App's page.

Note: Please select the appropriate connecting method.

Wi-Fi Network Requirements:


- You are using a 2.4GHz or 2.4/5 GHz mixed network.
- Your router supports 802.11b/g/n and IPv4 protocol.
- Do not use a VPN (Virtual Private Network) or Proxy Server.
- Do not use a hidden network.
- WPA and WPA2 using TKIP, PSK, AES/CCMP encryption.
- WEP EAP (Enterprise Authentication Protocol) is not supported.
- Use Wi-Fi channels 1-11 in North America and channels 1-13 outside North America (refer to local regulatory agency).
- If you are using a network extender/repeater, the network name (SSID) and password are the same as your primary network.
- Please enable the WPA2 on your router.

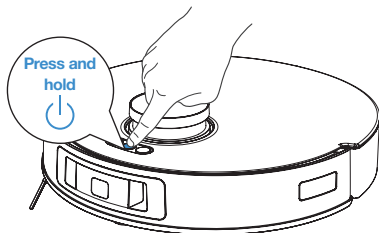
Wi-Fi Indicator Light

	White light slow flash	Connecting
	White light fast flash	Disconnected to Wi-Fi
	Solid Blue Light	Connected to Wi-Fi

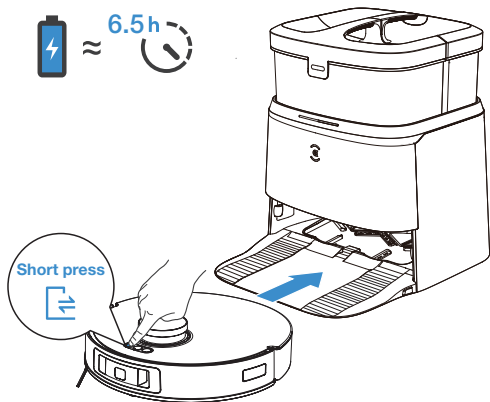
Please be aware that the realization of intelligent functions such as remote startup, voice interaction, 2D/3D map display and control settings, and personalized cleaning (depending on different products) requires users to download and use ECOVACS HOME App, which is constantly updated. You need to agree to our Privacy Policy and User Agreement before we can process some of your basic and necessary information and enable you to operate the product. If you do not agree with our Privacy Policy and User Agreement, some of the aforementioned intelligent functions cannot be realized through ECOVACS HOME App, but you can still use the basic functions of this product for manual operation.

Power ON and Charge DEEBOT

1 Press and hold  for 3 seconds, wait for the startup music to play, indicating that the DEEBOT has powered on.



2 Short press  to recall DEEBOT to enter the Station to charge.




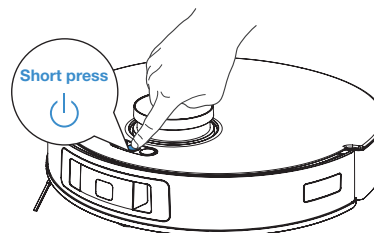
Note: After DEEBOT enters the Station, wait for about 5 seconds and you will hear the voice prompt "Pairing Successful".

OPERATE DEEBOT

DEEBOT will create a map during the first-time cleaning. When creating a map for the first time, please follow DEEBOT to help eliminate some minor issues. For example, DEEBOT may get stuck under the furniture. Please refer to the following solutions:

1. Raise the low sitting furniture if possible;
2. Cover the bottom of the furniture;
3. Set up Virtual Boundary via the App.

Short press  to start. For the first-time cleaning, please ensure that DEEBOT is fully charged.



Note: When DEEBOT is not working, it is recommended to keep it powered ON and charging.

TECHNICAL SPECIFICATIONS

Model	DDX14		
Rated Input	20V === 2A	Charging Time	about 6.5h
Station Model	CH2311A		
Rated Input	220-240V ~ 50-60Hz	Rated Output	20V === 2A
Rated Input Current(Charging)	0.5A	Power(Emptying)	1000W
Power(Hot Water Washing Mop)	1650W		
Networked Standby Power	Less than 2.00W		

Output power of the wireless module is less than 100mW.

Note: Technical and design specifications may be changed for continuous product improvement.

Explore more accessories at <https://www.ecovacs.com/global>.



**Scan the QR code for
more information.**

Ecovacs Home Service Robotics Co., Ltd.

No.518 Songwei Road, Wusongjiang Industry Park, Guoxiang Street,
Wuzhong District, Suzhou, Jiangsu, China.